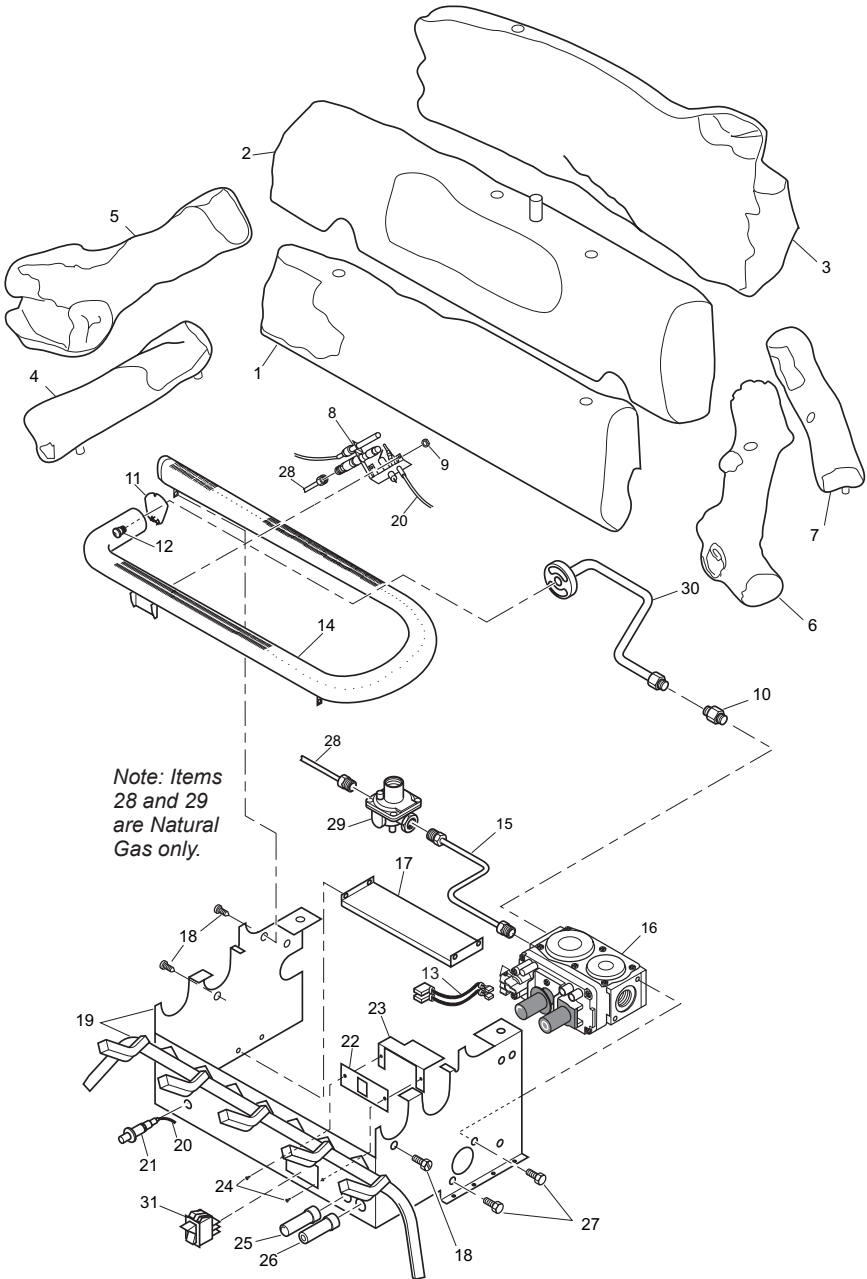


PARTS

MODELS

CCL3924PR, CCL3924PRA, CCL3924NR, CCL3924NRA
CCL3930PR, CCL3930PRA, CCL3930NR AND CCL3930NRA



PARTS

This list contains replaceable parts used in your heater. When ordering parts, refer to the parts in the column under your Model Number

| KEY NO. | PART NUMBER | | | | DESCRIPTION | QTY |
|---------|------------------------|--------------------------|------------------------|--------------------------|-------------------------|-----|
| | CCL3924PR CCL3924NR | CCL3924PRA CCL3924NRA | CCL3930PR CCL3930NR | CCL3930PRA CCL3930NRA | | |
| 1 | 105958-03 | 111340-02 | 105958-02 | 111340-01 | Front Log | 1 |
| 2 | 105959-03 | 111341-02 | 105959-02 | 111341-01 | Middle Log | 1 |
| 3 | 105960-03 | 111342-02 | 105960-02 | 111342-01 | Back Log | 1 |
| 4 | 105961-03 | 111343-02 | 105961-02 | 111343-01 | Left Back Crossover Log | 1 |
| 5 | 105962-03 | 111344-01 | 105962-03 | 111344-01 | Left Top Crossover Log | 1 |
| 6 | 105963-04 | 111345-02 | 105963-02 | 111345-01 | Right Btm Crossover Log | 1 |
| 7 | — | — | 105929-02 | 111346-01 | Right Top Crossover Log | 1 |

| KEY NO. | PART NUMBER | | | | DESCRIPTION | QTY |
|---------|-------------------------|-------------------------|-------------------------|-------------------------|---------------------------------|-----|
| | CCL3924PR CCL3924PRA | CCL3924NR CCL3924NRA | CCL3930PR CCL3930PRA | CCL3930NR CCL3930NRA | | |
| 8 | PP225 | — | PP225 | — | ODS Pilot Assembly LP | 1 |
| | — | PP231 | — | PP231 | ODS Pilot Assembly NG | 1 |
| 9 | 098249-01 | 098249-01 | 098249-01 | 098249-01 | ODS Nut | 2 |
| 10 | 098264-02 | 098264-02 | 098264-02 | 098264-02 | Male Connector | 1 |
| 11 | 111124-01 | 111124-01 | 111124-01 | 111124-01 | Burner Retainer Spring | 1 |
| 12 | 099056-17 | 099056-16 | 099056-17 | 099056-16 | Burner Orifice Injector | 1 |
| 13 | 103284-02 | 103284-02 | 103284-02 | 103284-02 | Wiring Harness | 1 |
| 14 | 102772-01 | 102772-01 | 102772-01 | 102772-01 | Burner | 1 |
| 15 | 099387-09 | 099387-12 | 099387-09 | 099387-12 | Pilot Tube | 1 |
| 16 | 103781-02 | — | 103781-02 | — | Gas Control Valve LP | 1 |
| | — | 103781-01 | — | 103781-01 | Gas Control Valve NG | 1 |
| 17 | 103345-01 | 103345-01 | 103345-01 | 103345-01 | Lower Bracket | 1 |
| 18 | M11084-38 | M11084-38 | M11084-38 | M11084-38 | Screw, #8 x 0.38 | 7 |
| 19 | ** | ** | ** | ** | Painted Base Assembly | 1 |
| 20 | 098271-10 | 098271-10 | 098271-10 | 098271-10 | Ignitor Cable | 1 |
| 21 | 102445-01 | 102445-01 | 102445-01 | 102445-01 | Piezo Ignitor | 1 |
| 22 | 103587-02 | 103587-02 | 103587-02 | 103587-02 | Plate, Switch | 1 |
| 23 | 104099-01 | 104099-01 | 104099-01 | 104099-01 | Heat Shield | 1 |
| 24 | 098304-01 | 098304-01 | 098304-01 | 098304-01 | Screw | 2 |
| 25 | 103784-02 | 103784-02 | 103784-02 | 103784-02 | Flame Adjustment Knob | 1 |
| 26 | 103784-01 | 103784-01 | 103784-01 | 103784-01 | Off-Pilot-On Knob | 1 |
| 27 | M12461-26 | M12461-26 | M12461-26 | M12461-26 | Screw | 4 |
| 28 | — | 100609-01 | — | 100609-01 | Pilot Tube (Regulator to Pilot) | 1 |
| 29 | — | 099918-02 | — | 099918-02 | Pilot Regulator | 1 |
| 30 | 103342-03 | 103342-03 | 103342-03 | 103342-03 | Burner Outlet Tube Kit LP | 1 |
| | 111331-03 | 111331-03 | 111331-03 | 111331-03 | Burner Outlet Tube Kit NG | 1 |
| 31 | 099998-01 | 099998-01 | 099998-01 | 099998-01 | Switch | 1 |

PARTS AVAILABLE — NOT SHOWN

| | | | | | | |
|--|-----------|-----------|-----------|-----------|-----------------------------|---|
| | 100563-01 | 100563-01 | 100563-01 | 100563-01 | Warning Plate | 1 |
| | 103877-01 | 103877-01 | 103877-01 | 103877-01 | Lighting Instructions Plate | 1 |
| | 100565-01 | 100565-01 | 100565-01 | 100565-01 | Warning Plate Fastener | 1 |
| | 100639-01 | 100639-01 | 100639-01 | 100639-01 | Caution Decal | 1 |
| | 101137-02 | 101137-02 | 101137-02 | 101137-02 | Hardware Kit | 1 |
| | GA6060 | GA6060 | GA6060 | GA6060 | Lava Rock | 1 |
| | Yes | Yes | Yes | Yes | Thermostat Remote | 1 |

** Not a field replaceable part.