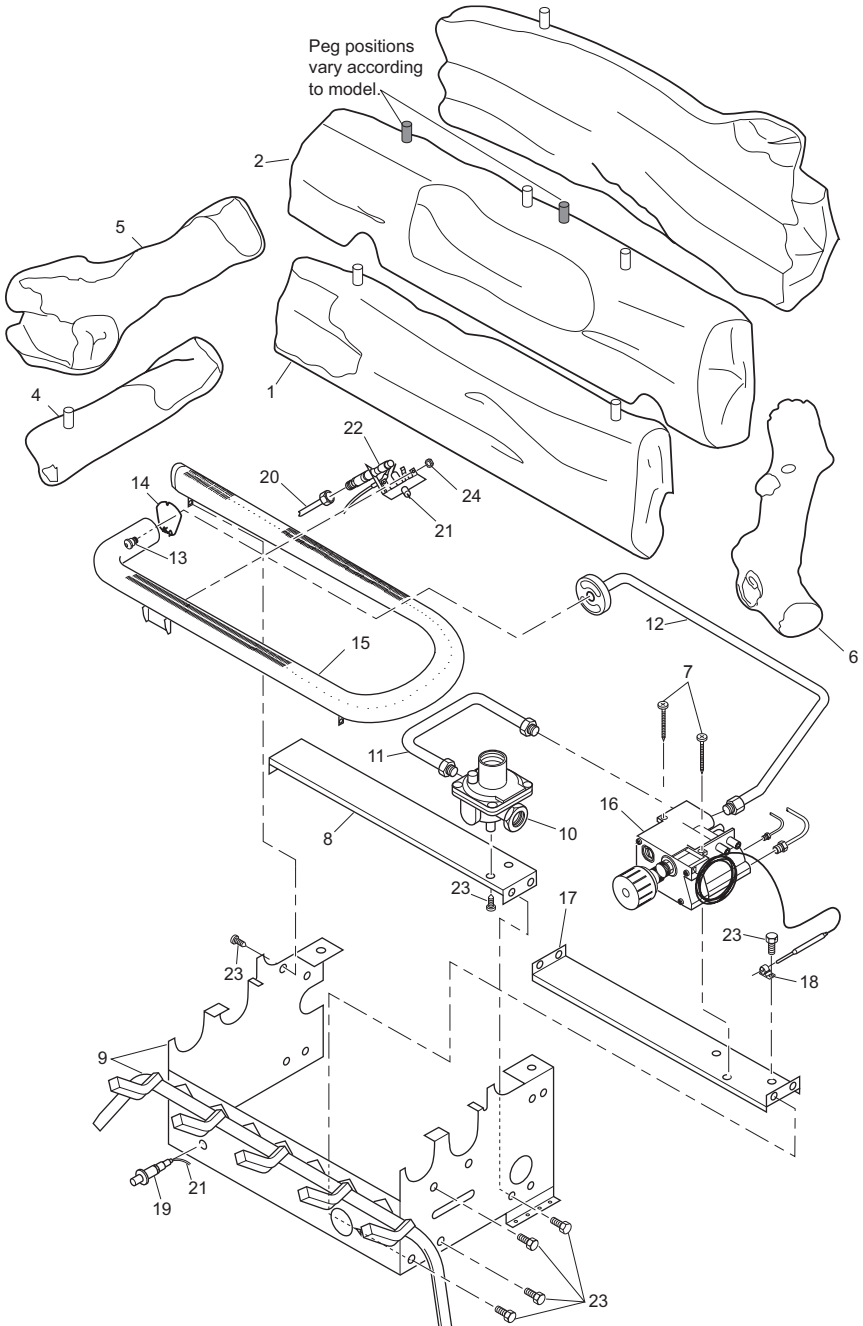


# PARTS

THERMOSTATICALLY-CONTROLLED BILTMORE SPLIT OAK MODELS  
CCL3018PTA, CCL3018NTA, CCL3924PTA AND CCL3924NTA



## PARTS

### THERMOSTATICALLY-CONTROLLED BILTMORE SPLIT OAK MODELS

This list contains replaceable parts used in your heater. When ordering parts, follow the instructions listed under Replacement Parts on page 35 of this manual

KEY NO.	PART NO.	DESCRIPTION					QTY.
			CCL3018P/A	CCL3018N/A	CCL3924P/A	CCL3924N/A	
1	111340-02	Front Log (#1)			•	•	1
	111340-03	Front Log (#1)					1
2	111341-02	Middle Log (#2)			•	•	1
	111341-03	Middle Log (#2)					1
3	111342-02	Back Log (#3)			•	•	1
	111342-03	Back Log (#3)					1
4	111343-02	Left Back Crossover Log (#4)			•	•	1
	111343-03	Left Back Crossover Log (#4)					1
5	111344-01	Left Top Crossover Log (#5)			•	•	1
	111344-02	Left Top Crossover Log (#5)					1
6	111345-02	Right Bottom Crossover Log (#6)	•	•	•	•	1
7	099211-01	Hex Screw, 10-16 x 2.50	•	•	•	•	2
8	102844-01	Lower Bracket			•	•	1
	102844-02	Lower Bracket	•	•			1
9	**	Painted Base Assembly	•	•	•	•	1
10	098867-10	Gas Regulator	•	•	•	•	1
	098867-14	Gas Regulator	•	•	•	•	1
11	102810-03	Inlet Tube	•	•	•	•	1
12	102983-05	Outlet Burner Tube			•	•	1
	102983-06	Outlet Burner Tube	•	•			1
13	099056-16	Burner Orifice Injector			•	•	1
	099056-17	Burner Orifice Injector			•	•	1
	099056-19	Burner Orifice Injector	•	•			1
	099056-26	Burner Orifice Injector	•	•			1
14	111124-01	Burner Retainer Spring			•	•	1
15	102772-01	Burner			•	•	1
	102980-01	Burner	•	•			1
16	101329-19	Thermostat Gas Valve Assembly			•	•	1
	101329-20	Thermostat Gas Valve Assembly			•	•	1
	101329-21	Thermostat Gas Valve Assembly	•	•			1
	101329-22	Thermostat Gas Valve Assembly	•	•			1
17	102979-01	Thermostat Bracket			•	•	1
	102979-02	Thermostat Bracket	•	•			1
18	098544-01	Thermostat Clip	•	•	•	•	1
19	102445-01	Piezo Ignitor	•	•	•	•	1
20	099387-09	Pilot Tube	•	•	•	•	1
21	098271-10	Ignitor Cable	•	•	•	•	1
22	PP224	ODS Pilot - Propane (LPG)	•	•			1
22	PP229	ODS Pilot - Natural Gas (NG)	•	•	•	•	1
24	098249-01	Nut, M5	•	•	•	•	2
<b>PARTS AVAILABLE — NOT SHOWN</b>							
	100563-01	Warning Plate	•	•	•	•	1
	101054-01	Lighting Instructions Plate	•	•	•	•	1
	100565-01	Warning Plate Fastener	•	•	•	•	1
	100639-01	Caution Decal	•	•	•	•	1
	101137-02	Hardware Kit	•	•	•	•	1
	GA6060	Lava Rock	•	•	•	•	1

\*\* Not a field replaceable part.