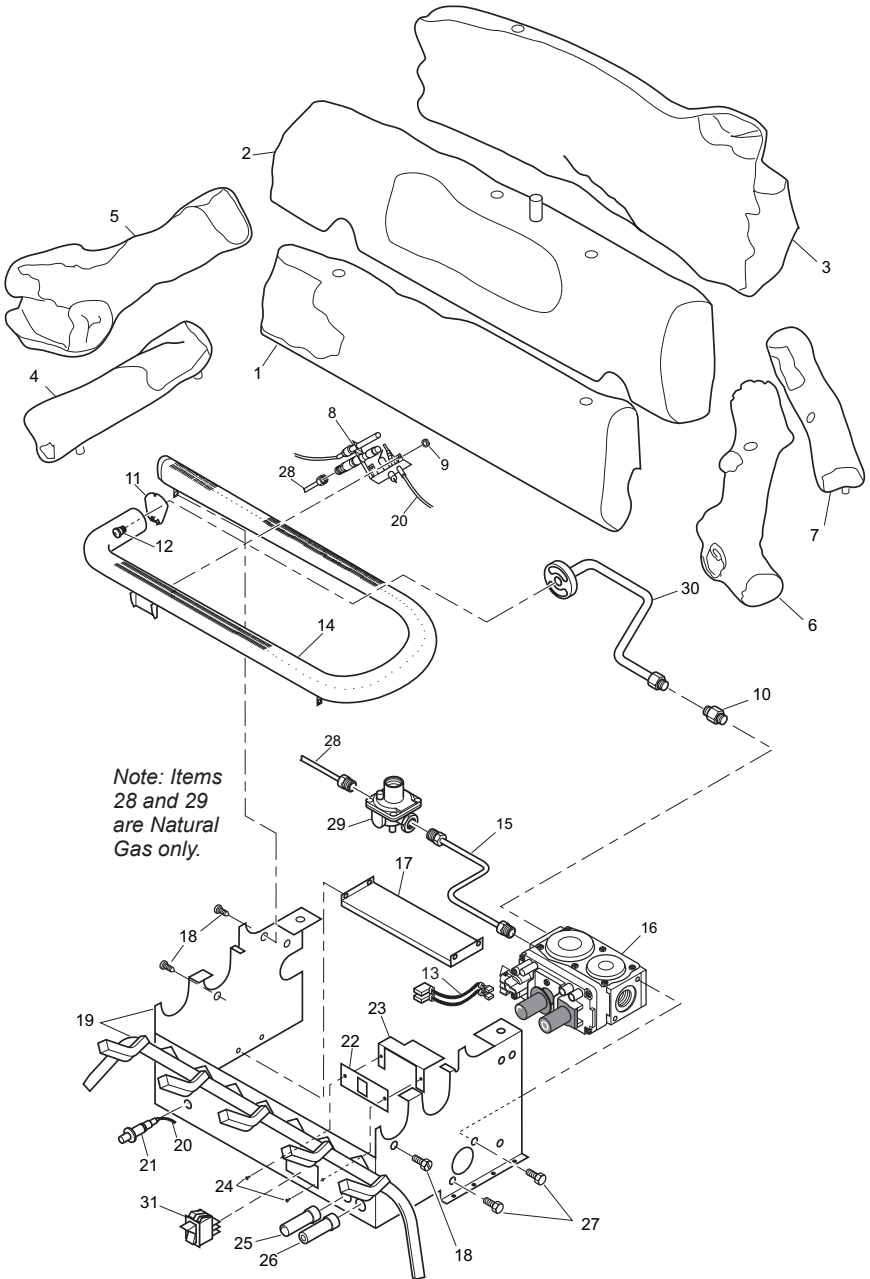


# PARTS

## MODELS

CCL3924PR, CCL3924PRA, CCL3924NR, CCL3924NRA  
CCL3930PR, CCL3930PRA, CCL3930NR AND CCL3930NRA



## PARTS

This list contains replaceable parts used in your heater. When ordering parts, refer to the parts in the column under your Model Number

KEY NO.	PART NUMBER				DESCRIPTION	QTY
	CCL3924PR CCL3924NR	CCL3924PRA CCL3924NRA	CCL3930PR CCL3930NR	CCL3930PRA CCL3930NRA		
1	105958-03	111340-02	105958-02	111340-01	Front Log	1
2	105959-03	111341-02	105959-02	111341-01	Middle Log	1
3	105960-03	111342-02	105960-02	111342-01	Back Log	1
4	105961-03	111343-02	105961-02	111343-01	Left Back Crossover Log	1
5	105962-03	111344-01	105962-03	111344-01	Left Top Crossover Log	1
6	105963-04	111345-02	105963-02	111345-01	Right Btm Crossover Log	1
7	—	—	105929-02	111346-01	Right Top Crossover Log	1

KEY NO.	PART NUMBER				DESCRIPTION	QTY
	CCL3924PR CCL3924PRA	CCL3924NR CCL3924NRA	CCL3930PR CCL3930PRA	CCL3930NR CCL3930NRA		
8	PP225	—	PP225	—	ODS Pilot Assembly LP	1
	—	PP231	—	PP231	ODS Pilot Assembly NG	1
9	098249-01	098249-01	098249-01	098249-01	ODS Nut	2
10	098264-02	098264-02	098264-02	098264-02	Male Connector	1
11	111124-01	111124-01	111124-01	111124-01	Burner Retainer Spring	1
12	099056-17	099056-16	099056-17	099056-16	Burner Orifice Injector	1
13	103284-02	103284-02	103284-02	103284-02	Wiring Harness	1
14	102772-01	102772-01	102772-01	102772-01	Burner	1
15	099387-09	099387-12	099387-09	099387-12	Pilot Tube	1
16	103781-02	—	103781-02	—	Gas Control Valve LP	1
	—	103781-01	—	103781-01	Gas Control Valve NG	1
17	103345-01	103345-01	103345-01	103345-01	Lower Bracket	1
18	M11084-38	M11084-38	M11084-38	M11084-38	Screw, #8 x 0.38	7
19	**	**	**	**	Painted Base Assembly	1
20	098271-10	098271-10	098271-10	098271-10	Ignitor Cable	1
21	102445-01	102445-01	102445-01	102445-01	Piezo Ignitor	1
22	103587-02	103587-02	103587-02	103587-02	Plate, Switch	1
23	104099-01	104099-01	104099-01	104099-01	Heat Shield	1
24	098304-01	098304-01	098304-01	098304-01	Screw	2
25	103784-02	103784-02	103784-02	103784-02	Flame Adjustment Knob	1
26	103784-01	103784-01	103784-01	103784-01	Off-Pilot-On Knob	1
27	M12461-26	M12461-26	M12461-26	M12461-26	Screw	4
28	—	100609-01	—	100609-01	Pilot Tube (Regulator to Pilot)	1
29	—	099918-02	—	099918-02	Pilot Regulator	1
30	103342-03	103342-03	103342-03	103342-03	Burner Outlet Tube Kit LP	1
	111331-03	111331-03	111331-03	111331-03	Burner Outlet Tube Kit NG	1
31	099998-01	099998-01	099998-01	099998-01	Switch	1

### PARTS AVAILABLE — NOT SHOWN

	100563-01	100563-01	100563-01	100563-01	Warning Plate	1
	103877-01	103877-01	103877-01	103877-01	Lighting Instructions Plate	1
	100565-01	100565-01	100565-01	100565-01	Warning Plate Fastener	1
	100639-01	100639-01	100639-01	100639-01	Caution Decal	1
	101137-02	101137-02	101137-02	101137-02	Hardware Kit	1
	GA6060	GA6060	GA6060	GA6060	Lava Rock	1
	Yes	Yes	Yes	Yes	Thermostat Remote	1

\*\* Not a field replaceable part.