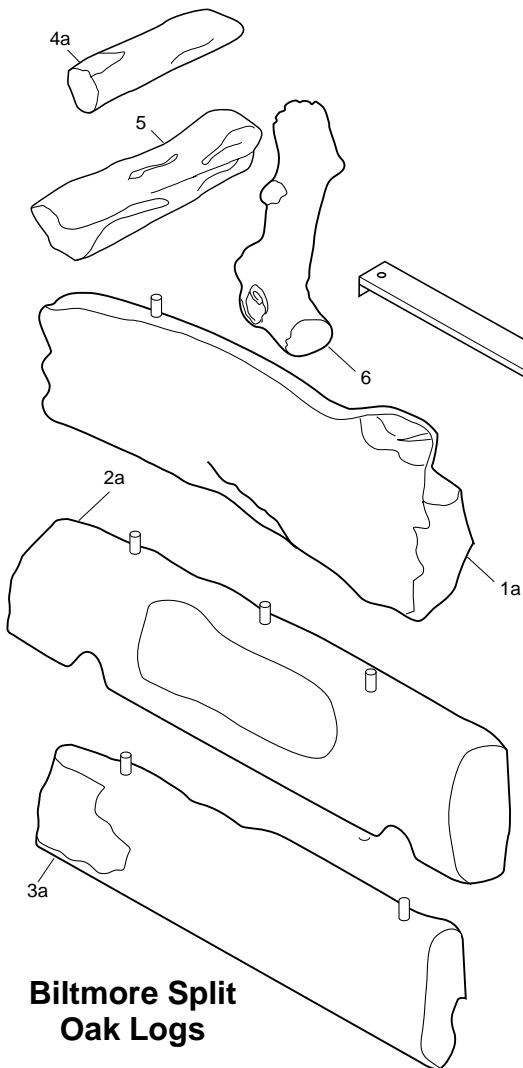
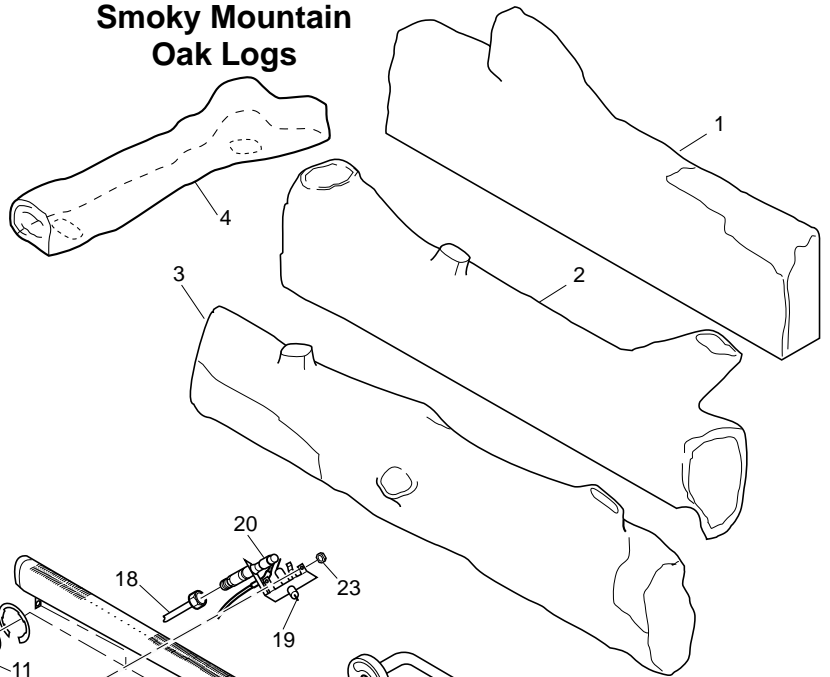


# ILLUSTRATED PARTS BREAKDOWN

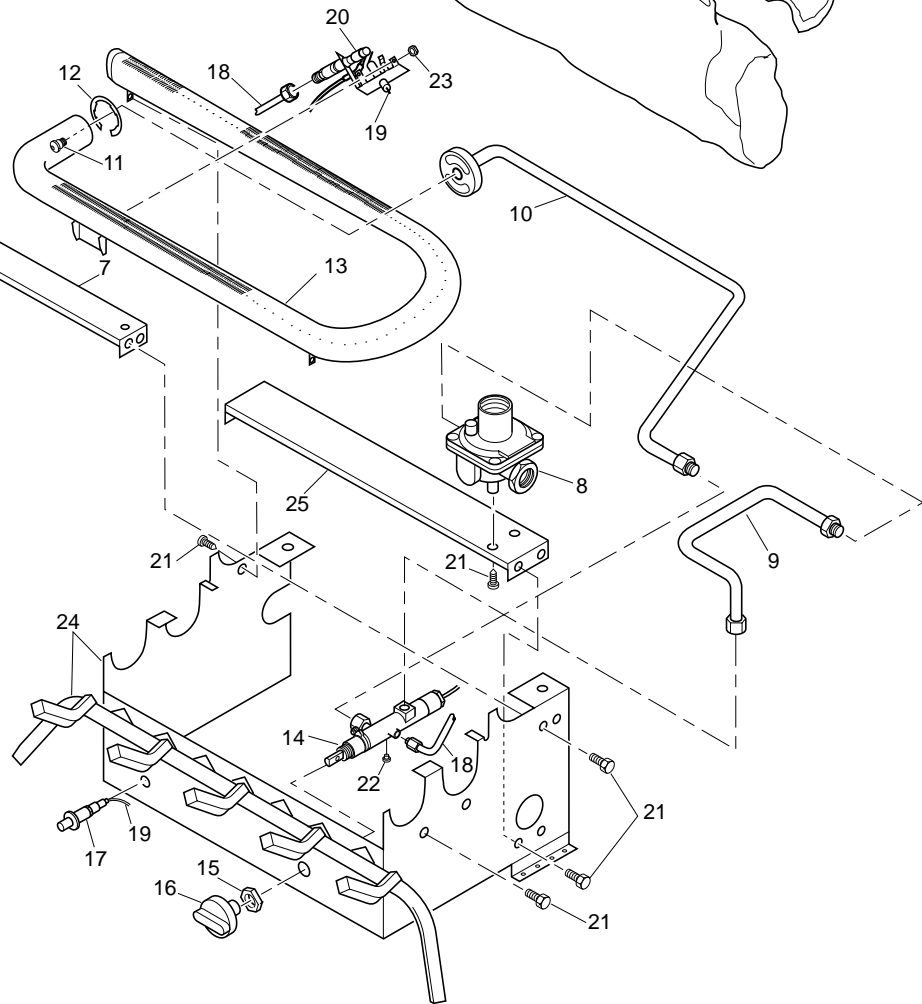
Variable Manually-Controlled

**CGD3018P, CGD3924P CGD3930P, CCL3018P, AND CCL3924P**

## Smoky Mountain Oak Logs



## Biltmore Split Oak Logs



## PARTS LIST

### Variable Manually-Controlled

**CGD3018P, CGD3924P**  
**CGD3930P, CCL3018P**  
**CCL3924P**

This list contains replaceable parts used in your heater. When ordering parts, follow the instructions listed under *Replacement Parts* on page 28 of this manual.

KEY NO.	PART NUMBER			DESCRIPTION	QTY.
	CCL3018P CGD3018P	CCL3924P CGD3924P	CGD3930P		
1	103008-02	103008-01	103008-03	Back Log (#1)	1
1a	105925-04	105925-03	—	Back Log (#1)	1
2	103009-02	103009-01	103009-03	Middle Log (#2)	1
2a	105924-04	105924-03	—	Middle Log (#2)	1
3	103010-02	103010-01	103010-03	Front Log (#3)	1
3a	105923-04	105923-03	—	Front Log (#3)	1
4	103011-02	103011-01	103011-01	Crossover Log (#4)	1
4a	105926-04	105926-03	—	Left Back Crossover Log (#4)	1
5	105927-04	105927-03	—	Left Top Crossover Log (#5)	1
6	105928-04	105928-04	—	Right Bottom Crossover Log (#6)	1
7	102966-02	102966-01	102966-01	Upper Bracket	1
8	098867-10	098867-10	098867-10	Gas Regulator	1
9	102798-01	102798-01	102798-01	Inlet Tube	1
10	102779-04	102779-02	102779-02	Outlet Burner Tube	1
11	099056-19	099056-17	099056-17	Burner Orifice Injector	1
12	102843-01	102843-01	102843-01	Burner Clip	1
13	102980-01	102772-01	102772-01	Burner	1
14	102568-08	102568-06	102568-06	Control Valve	1
15	098508-01	098508-01	098508-01	Valve Retainer Nut	1
16	098354-01	098354-01	098354-01	Control Knob	1
17	102445-01	102445-01	102445-01	Piezo Ignitor	1
18	099387-08	099387-08	099387-08	Pilot Tube	1
19	098271-10	098271-10	098271-10	Ignitor Cable	1
20	104286-01	104286-01	104286-01	ODS Pilot	1
21	M11084-38	M11084-38	M11084-38	Hex Screw, #8-18 x .38	11
22	098276-01	098276-01	098276-01	Hex Head Plug, 1/8 NPT	1
23	098249-01	098249-01	098249-01	Nut, M5	2
24	102775-04CK	102775-01CK	102775-03CK	Painted Base Assembly	1
25	102844-02	102844-01	102844-01	Lower Bracket	1
<b>PARTS AVAILABLE — NOT SHOWN</b>					
	100563-01	100563-01	100563-01	Warning Plate	1
	101055-02	101055-02	101055-02	Lighting Instructions Plate	1
	100565-01	100565-01	100565-01	Warning Plate Fastener	1
	100639-01	100639-01	100639-01	Caution Decal	1
	101449-04	101449-04	101449-04	Control Position Decal	1
	101137-02	101137-02	101137-02	Hardware Kit	1
	GA6060	GA6060	GA6060	Lava Rock	1