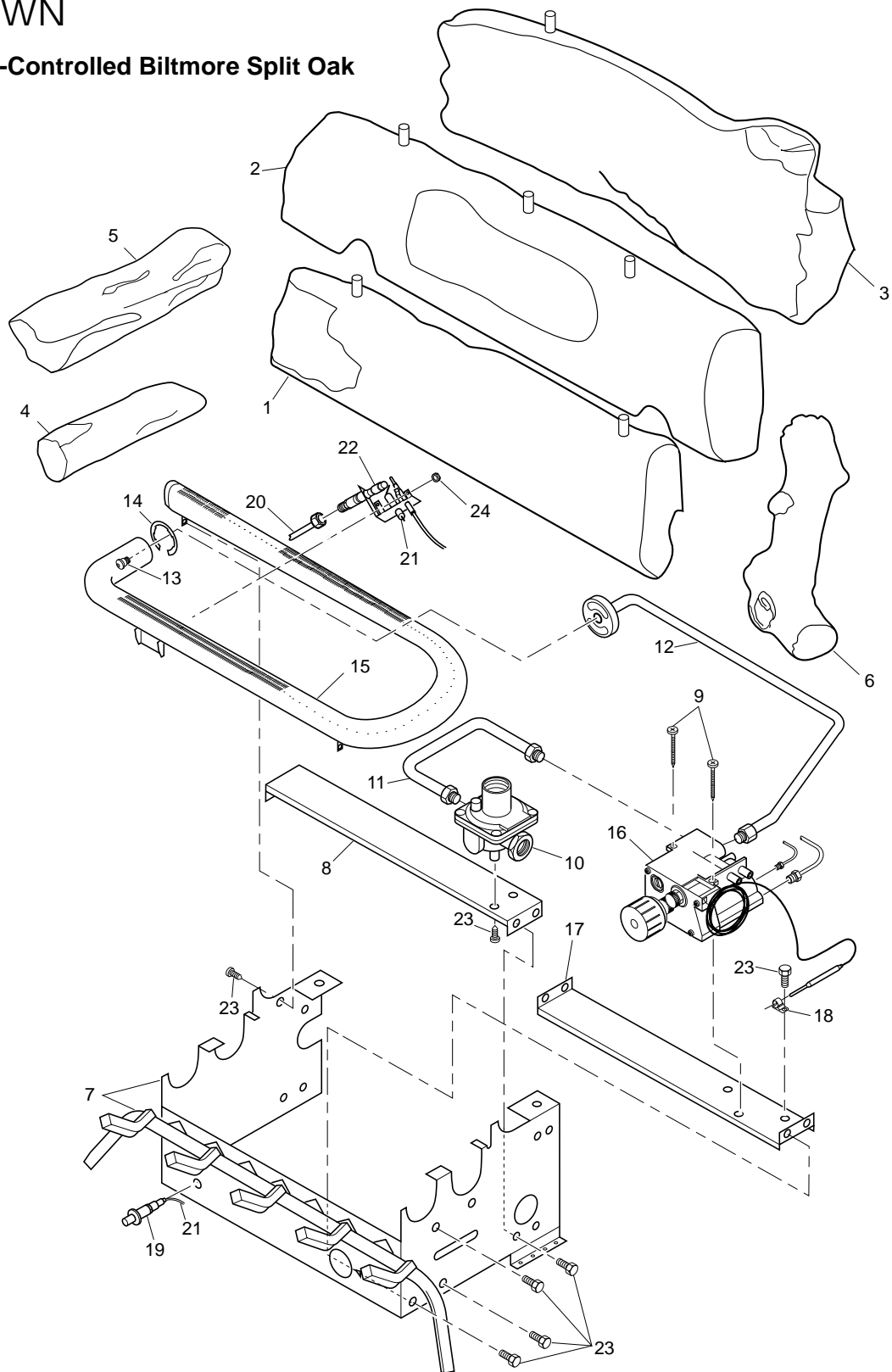


ILLUSTRATED PARTS
BREAKDOWNThermostatically-Controlled Biltmore Split Oak
Model

CCL3018NT

For more information, visit www.desatech.com

PARTS LIST

This list contains replaceable parts used in your heater. When ordering parts, follow the instructions listed under *Replacement Parts* on page 36 of this manual.

Thermostatically-Controlled Biltmore Split Oak Model

KEY NO.	CCL3018NT PART NUMBER	DESCRIPTION	QTY.
1	105923-04	Front Log (#1)	1
2	105924-04	Middle Log (#2)	1
3	105925-04	Back Log (#3)	1
4	105926-04	Left Back Crossover Log (#4)	1
5	105927-04	Left Top Crossover Log (#5)	1
6	105928-04	Right Bottom Crossover Log (#6)	1
7	102775-09CK	Painted Base Assembly	1
8	102844-02	Lower Bracket	1
9	099211-01	Hex Screw, 10-16 x 2.50	2
10	098867-14	Gas Regulator	1
11	102810-03	Inlet Tube	1
12	102983-03	Outlet Burner Tube	1
13	099056-26	Burner Orifice Injector	1
14	102843-01	Burner Clip	1
15	102980-01	Burner	1
16	101329-21	Thermostat Gas Valve Assembly	1
17	102979-02	Thermostat Bracket	1
18	098544-01	Thermostat Clip	1
19	102445-01	Piezo Ignitor	1
20	099387-09	Pilot Tube	1
21	098271-10	Ignitor Cable	1
22	104285-01	ODS Pilot	1
23	M11084-38	Hex Screw, #8-18 x .38	12
24	098249-01	Nut, M5	2
PARTS AVAILABLE — NOT SHOWN			
	100563-01	Warning Plate	1
	101054-01	Lighting Instructions Plate	1
	100565-01	Warning Plate Fastener	1
	100639-01	Caution Decal	1
	101137-02	Hardware Kit	1
	GA6060	Lava Rock	1