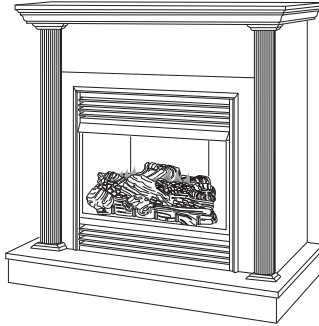


DESA™

HEATING PRODUCTS

UNVENTED (VENT-FREE) GAS COMPACT CLASSIC HEARTH® DUAL BURNER FIREPLACE OWNER'S OPERATION AND INSTALLATION MANUAL



Shown with Optional Cabinet Mantel/Hearth Base Accessory

THERMOSTAT MODELS

CDCFTNA, CDCFTPA, FDCFTN, FDCFTP, VDCFTN, VDCFTP

REMOTE-READY MODELS

CDCFNR, CDCFPR, FDCFRN, FDCFRP, VDCFRN, VDCFRP

WARNING: If the information in this manual is not followed exactly, a fire or explosion may result causing property damage, personal injury, or loss of life.

- Do not store or use gasoline or other flammable vapors and liquids in the vicinity of this or any other appliance.
- **WHAT TO DO IF YOU SMELL GAS**
 - Do not try to light any appliance.
 - Do not touch any electrical switch; do not use any phone in your building.
 - Immediately call your gas supplier from a neighbor's phone. Follow the gas supplier's instructions.
 - If you cannot reach your gas supplier, call the fire department.
- Installation and service must be performed by a qualified installer, service agency, or the gas supplier.

INSTALLER: Leave this manual with the appliance
CONSUMER: Retain this manual for future reference.

WARNING: Improper installation, adjustment, alteration, service, or maintenance can cause injury or property damage. Refer to this manual for correct installation and operational procedures. For assistance or additional information consult a qualified installer, service agency, or the gas supplier.

WARNING: This is an unvented gas-fired heater. It uses air (oxygen) from the room in which it is installed. Provisions for adequate combustion and ventilation air must be provided. Refer to *Air for Combustion and Ventilation* section on page 6 of this manual.

This appliance may be installed in an aftermarket,* permanently located, manufactured (mobile) home, where not prohibited by local codes.

This appliance is only for use with the type of gas indicated on the rating plate. This appliance is not convertible for use with other gases.

* Aftermarket: Completion of sale, not for purpose of resale, from the manufacturer

State of Massachusetts: The installation must be made by a licensed plumber or gas fitter in the Commonwealth of Massachusetts.

Sellers of unvented propane or natural gas-fired supplemental room heaters shall provide to each purchaser a copy of 527 CMR 30 upon sale of the unit.

Vent-free gas products are prohibited for bedroom and bathroom installation in the Commonwealth of Massachusetts.

TABLE OF CONTENTS

| | | | |
|--|----|---|----|
| Safety Information | 3 | Inspecting Burners..... | 27 |
| Product Identification | 4 | Cleaning and Maintenance..... | 28 |
| Optional Remote Control Accessories..... | 5 | Wiring Diagram | 29 |
| Local Codes..... | 5 | Troubleshooting | 30 |
| Product Features | 5 | Specifications | 34 |
| Unpacking..... | 5 | Replacement Parts | 35 |
| Hood Assembly..... | 6 | Service Hints | 35 |
| Air for Combustion and Ventilation | 6 | Technical Service..... | 35 |
| Installation | 9 | Illustrated Parts Breakdown and Parts List..... | 36 |
| Operating Fireplace | 22 | Accessories | 44 |

SAFETY INFORMATION

⚠ WARNING: This product contains and/or generates chemicals known to the State of California to cause cancer or birth defects, or other reproductive harm.

IMPORTANT: Read this owner's manual carefully and completely before trying to assemble, operate, or service this fireplace. Improper use of this fireplace can cause serious injury or death from burns, fire, explosion, electrical shock, and carbon monoxide poisoning.

⚠ DANGER: Carbon monoxide poisoning may lead to death!

Carbon Monoxide Poisoning: Early signs of carbon monoxide poisoning resemble the flu, with headaches, dizziness, or nausea. If you have these signs, the fireplace may not be working properly. **Get fresh air at once!** Have fireplace serviced. Some people are more affected by carbon monoxide than others. These include pregnant women, people with heart or lung disease or anemia, those under the influence of alcohol, and those at high altitudes.

Natural and Propane/LP Gas: Natural and propane/LP gases are odorless. An odor-making agent is added to the gas. The odor helps you detect a gas leak. However, the odor added to the gas can fade. Gas may be present even though no odor exists. Make certain you read and understand all warnings. Keep this manual for reference. It is your guide to safe and proper operation of this fireplace.

⚠ WARNING: Any change to this fireplace or its controls can be dangerous.

⚠ WARNING: Do not use a blower insert, heat exchanger insert, or other accessory not approved for use with this fireplace.

⚠ WARNING: Do not allow fans to blow directly into the fireplace. Avoid any drafts that alter burner flame patterns. Ceiling fans can create drafts that alter burner flame patterns. Altered burner patterns can cause sooting.

Due to high temperatures, the appliance should be located out of traffic and away from furniture and draperies.

Do not place clothing or other flammable material on or near the appliance. Never place any objects on the heater.

Fireplace front and screen become very hot when running heater. Keep children and adults away from hot surfaces to avoid burns or clothing ignition. Fireplace will remain hot for a time after shutdown. Allow surfaces to cool before touching.

Carefully supervise young children when they are in the room with fireplace. When using the hand-held remote accessory (Remote-Ready Models Only), keep selector switch in the OFF position to prevent children from turning on burners with remote.

You must operate this fireplace with the fireplace screen in place. Make sure fireplace screen is closed before running fireplace.

Keep the appliance area clear and free from combustible materials, gasoline, and other flammable vapors and liquids.

SAFETY INFORMATION

Continued

1. This appliance is only for use with the type of gas indicated on the rating plate. This appliance is not convertible for use with other gases.
2. Do not place propane/LP supply tank(s) inside any structure. Locate propane/LP supply tank(s) outdoors.
3. If you smell gas
 - shut off gas supply
 - do not try to light any appliance
 - do not touch any electrical switch; do not use any phone in your building
 - immediately call your gas supplier from a neighbor's phone. Follow the gas supplier's instructions
 - if you cannot reach your gas supplier, call the fire department
4. This fireplace shall not be installed in a bedroom or bathroom.
5. Do not use this fireplace as a wood-burning fireplace. Use only the logs provided with the fireplace.
6. Do not add extra logs or ornaments such as pine cones, vermiculite, or rock wool. Using these added items can cause sooting. Do not add lava rock around base. Rock and debris could fall into the control area of fireplace.
7. This fireplace is designed to be smokeless. If logs ever appear to smoke, turn off fireplace and call a qualified service person. **Note:** During initial operation, slight smoking could occur due to log curing and fireplace burning manufacturing residues.
8. To prevent the creation of soot, follow the instructions in *Cleaning and Maintenance*, page 28.
9. Before using furniture polish, wax, carpet cleaner, or similar products, turn fireplace off. If heated, the vapors from these products may create a white powder residue within burner box or on adjacent walls or furniture.
10. This fireplace needs fresh air ventilation to run properly. This fireplace has an Oxygen Depletion Sensing (ODS) safety shutoff system. The ODS shuts down the fireplace if not enough fresh air is available. See *Air for Combustion and Ventilation*, page 6. If fireplace keeps shutting off, see *Troubleshooting*, page 30.
11. Do not run fireplace
 - where flammable liquids or vapors are used or stored.
 - under dusty conditions.
12. Do not use this fireplace to cook food or burn paper or other objects.
13. Never place any objects in the fireplace or on logs.
14. Do not use fireplace if any part has been under water. Immediately call a qualified service technician to inspect the room fireplace and to replace any part of the control system and any gas control which has been under water.
15. Turn off and unplug fireplace and let cool before servicing. Only a qualified service person should service and repair fireplace.
16. Operating fireplace above elevations of 4,500 feet could cause pilot outage.
17. Do not operate fireplace if log is broken. Do not operate fireplace if log is chipped (dime-sized or larger).
18. To prevent performance problems, do not use propane/LP fuel tank of less than 100 lbs. capacity.
19. Provide adequate clearances around air openings.

PRODUCT IDENTIFICATION

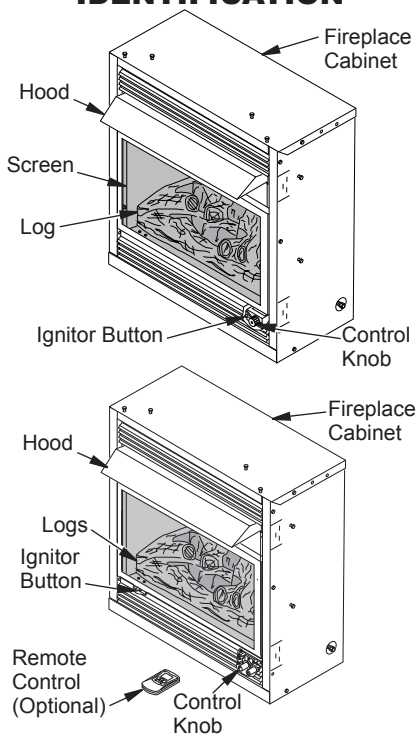


Figure 1 - Vent-Free Compact Dual Flame Fireplace

OPTIONAL REMOTE CONTROL ACCESSORIES (For Remote-Ready Models Only)

There are four optional remote controls that can be purchased separately for Remote-Ready Models only:

- wall switch
 - hand-held ON/OFF remote
 - wall thermostat
 - hand-held thermostat remote
- See *Accessories*, page 44.

LOCAL CODES

Install and use fireplace with care. Follow all local codes. In the absence of local codes, use the latest edition of *The National Fuel Gas Code ANSI Z223.1/NFPA 54**.

*Available from:

American National Standards Institute, Inc.
1430 Broadway
New York, NY 10018

National Fire Protection Association, Inc.
Batterymarch Park
Quincy, MA 02269

PRODUCT FEATURES

SAFETY PILOT

This fireplace has a pilot with an Oxygen Depletion Sensing (ODS) safety shutoff system. The ODS/pilot is a required feature for vent-free room fireplaces. The ODS/pilot shuts off the fireplace if there is not enough fresh air.

PIEZO IGNITION SYSTEM

This fireplace has a piezo ignitor. This system requires no matches, batteries, or other sources to light fireplace.

THERMOSTATIC HEAT CONTROL FOR THERMOSTAT-CONTROLLED MODELS

Thermostat-Controlled models have a thermostat sensing bulb and a control valve. The thermostat will automatically modulate the heat output to maintain a consistent room temperature. This results in greater fireplace comfort. This can also result in lower gas bills.

UNPACKING

WARNING: Ceramic brick liners for Models CDCFNR and CDCFPR are located behind upper louver and must be removed before lighting fireplace.

1. Remove fireplace and hood from carton. Log is wrapped and inside fireplace. Do not remove at this time.
2. Remove all protective packaging applied to fireplace for shipment.
3. Make sure your fireplace includes one hardware packet.
4. Check fireplace for any shipping damage. If fireplace is damaged, promptly inform dealer where you bought fireplace.

Models CDCFNR/PR only

1. Remove screws from top louver and carefully remove louver (see Figure 2).
2. Remove ceramic brick liners with protective packaging. The brick liners will be installed later.
3. Remove yellow sticker from top of firebox.
4. Replace top louver using screws removed in step 1.

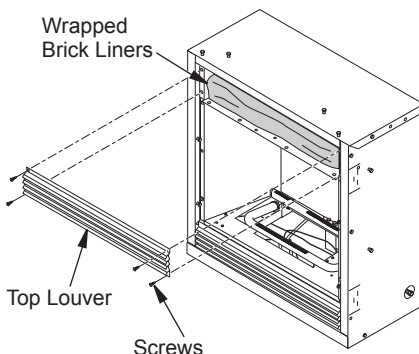


Figure 2 - Removing Brick Liners From CDCFNR/PR

HOOD ASSEMBLY

WARNING: Always have screen in place before operating fireplace. This prevents excessive temperatures on fireplace surfaces.

WARNING: Failure to position the parts in accordance with these diagrams or failure to use only parts specifically approved with this fireplace may result in property damage or personal injury.

Tools Required:

- Phillips screwdriver
- slotted screwdriver
- 5/16" hex wrench
- scissors

1. **Models with one-piece screen only:** Lift fireplace screen up and pull out to remove (see Figure 3). Set screen aside until installation has been completed.
2. Cut two plastic straps to remove the log from the firebox cavity. Set log aside.
3. An optional blower is available. See *Accessories*, page 44. Install optional blower now. Follow installation instructions provided with blower and see page 14 or 15, depending on your installation.
4. Locate four black phillips sheet metal screws in hardware packet.
5. Slide hood between louver and firebox top and align screw holes.
6. Insert screws as shown in Figure 4. Tighten screws firmly.

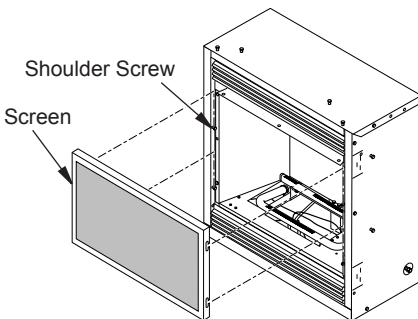


Figure 3 - Removing and Installing Screen

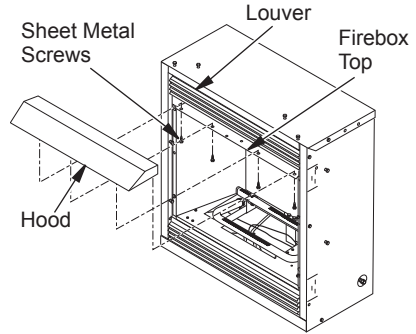


Figure 4 - Assembling Hood

AIR FOR COMBUSTION AND VENTILATION

WARNING: This fireplace shall not be installed in a confined space or unusually tight construction unless provisions are provided for adequate combustion and ventilation air. Read the following instructions to insure proper fresh air for this and other fuel-burning appliances in your home.

Today's homes are built more energy efficient than ever. New materials, increased insulation, and new construction methods help reduce heat loss in homes. Home owners weather strip and caulk around windows and doors to keep the cold air out and the warm air in. During heating months, home owners want their homes as airtight as possible.

While it is good to make your home energy efficient, your home needs to breathe. Fresh air must enter your home. All fuel-burning appliances need fresh air for proper combustion and ventilation.

Exhaust fans, fireplaces, clothes dryers, and fuel burning appliances draw air from the house to operate. You must provide adequate fresh air for these appliances. This will insure proper venting of vented fuel-burning appliances.

AIR FOR COMBUSTION AND VENTILATION

Continued

PROVIDING ADEQUATE VENTILATION

The following are excerpts from *National Fuel Gas Code, ANSI Z223.1/NFPA 54, Section 5.3, Air for Combustion and Ventilation*.

All spaces in homes fall into one of the three following ventilation classifications:

1. Unusually Tight Construction
2. Unconfined Space
3. Confined Space

The information on pages 6 through 8 will help you classify your space and provide adequate ventilation.

Unusually Tight Construction

The air that leaks around doors and windows may provide enough fresh air for combustion and ventilation. However, in buildings of unusually tight construction, you must provide additional fresh air.

Unusually tight construction is defined as construction where:

- a. walls and ceilings exposed to the outside atmosphere have a continuous water vapor retarder with a rating of one perm (6×10^{-11} kg per pa-sec- m^2) or less with openings gasketed or sealed and
- b. weather stripping has been added on openable windows and doors and
- c. caulking or sealants are applied to areas such as joints around window and door frames, between sole plates and floors, between wall-ceiling joints, between wall panels, at penetrations for plumbing, electrical, and gas lines, and at other openings.

If your home meets all of these three criteria, you must provide additional fresh air. See *Ventilation Air From Outdoors*, page 8.

If your home does not meet all of the three criteria above, proceed to *Determining Fresh-Air Flow For Fireplace Location*.

Confined and Unconfined Space

The *National Fuel Gas Code, ANSI Z223.1/NFPA 54* defines a confined space as a space whose volume is less than 50 cubic feet per 1,000 Btu per hour (4.8 m^3 per kw) of the aggregate input

rating of all appliances installed in that space and an unconfined space as a space whose volume is not less than 50 cubic feet per 1,000 Btu per hour (4.8 m^3 per kw) of the aggregate input rating of all appliances installed in that space. Rooms communicating directly with the space in which the appliances are installed*, through openings not furnished with doors, are considered a part of the unconfined space.

* Adjoining rooms are communicating only if there are doorless passageways or ventilation grills between them.

DETERMINING FRESH-AIR FLOW FOR FIREPLACE LOCATION

Determining if You Have a Confined or Unconfined Space

Use this work sheet to determine if you have a confined or unconfined space.

Space: Includes the room in which you will install fireplace plus any adjoining rooms with doorless passageways or ventilation grills between the rooms.

1. Determine the volume of the space (length x width x height).

Length x Width x Height = _____ cu. ft.
(volume of space)

Example: Space size 16 ft. (length) x 14 ft. (width) x 8 ft. (ceiling height) = 1792 cu. ft. (volume of space)

If additional ventilation to adjoining room is supplied with grills or openings, add the volume of these rooms to the total volume of the space.

2. Multiply the space volume by 20 to determine the maximum Btu/Hr the space can support.

_____ (volume of space) x 20 =
(Maximum Btu/Hr the space can support)

Example: 1792 cu. ft. (volume of space) x 20 = 35,840 (maximum Btu/Hr the space can support)

3. Add the Btu/Hr of all fuel burning appliances in the space.

| | |
|-----------------------|----------------|
| Vent-free fireplace | _____ Btu/Hr |
| Gas water heater* | _____ Btu/Hr |
| Gas furnace | _____ Btu/Hr |
| Vented gas heater | _____ Btu/Hr |
| Gas fireplace logs | _____ Btu/Hr |
| Other gas appliances* | + _____ Btu/Hr |
| Total | = _____ Btu/Hr |

* Do not include direct-vent gas appliances. Direct-vent draws combustion air from the outdoors and vents to the outdoors.

Example:

| | |
|---------------------|-----------------------------|
| Gas water heater | _____ 30,000 _____ Btu/Hr |
| Vent-free fireplace | + _____ 10,000 _____ Btu/Hr |
| Total | = _____ 40,000 _____ Btu/Hr |

AIR FOR COMBUSTION AND VENTILATION

Continued

4. Compare the maximum Btu/Hr the space can support with the actual amount of Btu/Hr used.

_____ Btu/Hr (maximum the space can support)

_____ Btu/Hr (actual amount of Btu/Hr used)

Example: 35,840 Btu/Hr (maximum the space can support)

40,000 Btu/Hr (actual amount of Btu/Hr used)

The space in the above example is a confined space because the actual Btu/Hr used is more than the maximum Btu/Hr the space can support. You must provide additional fresh air. Your options are as follows:

- Rework worksheet, adding the space of an adjoining room. If the extra space provides an unconfined space, remove door to adjoining room or add ventilation grills between rooms. See *Ventilation Air From Inside Building*.
- Vent room directly to the outdoors. See *Ventilation Air From Outdoors*.
- Install a lower Btu/Hr fireplace, if lower Btu/Hr size makes room unconfined.

If the actual Btu/Hr used is less than the maximum Btu/Hr the space can support, the space is an unconfined space. You will need no additional fresh air ventilation.

⚠ WARNING: If the area in which the fireplace may be operated is smaller than that defined as an unconfined space or if the building is of unusually tight construction, provide adequate combustion and ventilation air by one of the methods described in the *National Fuel Gas Code, ANSI Z223.1/NFPA 54 Section 5.3* or applicable local codes.

VENTILATION AIR

Ventilation Air From Inside Building

This fresh air would come from an adjoining unconfined space. When ventilating to an adjoining unconfined space, you must provide two permanent openings: one within 12" of the ceiling and one within 12" of the floor on the wall connecting the two spaces (see options 1 and 2, Figure 5). You can also remove door into adjoining room (see option 3, Figure 5). Follow the *National Fuel Gas Code, ANSI Z223.1/NFPA 54, Section 5.3, Air for Combustion and Ventilation* for required size of ventilation grills or ducts.

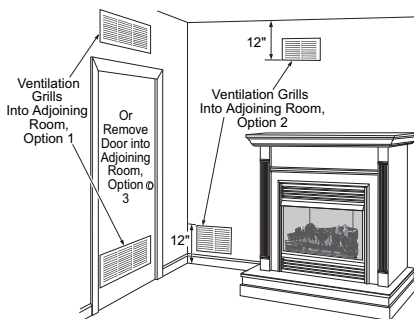


Figure 5 - Ventilation Air from Inside Building

Ventilation Air From Outdoors

Provide extra fresh air by using ventilation grills or ducts. You must provide two permanent openings: one within 12" of the ceiling and one within 12" of the floor. Connect these items directly to the outdoors or spaces open to the outdoors. These spaces include attics and crawl spaces. Follow the *National Fuel Gas Code, ANSI Z223.1/NFPA 54, Section 5.3, Air for Combustion and Ventilation* for required size of ventilation grills or ducts.

IMPORTANT: Do not provide openings for inlet or outlet air into attic if attic has a thermostat-controlled power vent. Heated air entering the attic will activate the power vent.

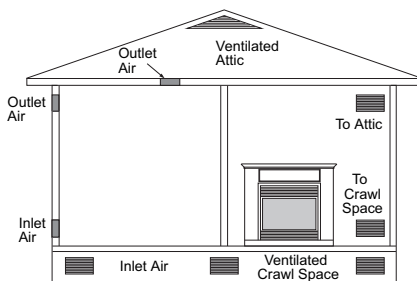


Figure 6 - Ventilation Air from Outdoors

INSTALLATION

NOTICE: This heater is intended for use as supplemental heat. Use this heater along with your primary heating system. Do not install this heater as your primary heat source. If you have a central heating system, you may run system's circulating blower while using heater. This will help circulate the heat throughout the house. In the event of a power outage, you can use this heater as your primary heat source.

WARNING: A qualified service person must install fireplace. Follow all local codes.

WARNING: Never install the fireplace

- in a bedroom or bathroom
- in a recreational vehicle
- where curtains, furniture, clothing, or other flammable objects are less than 36 inches from the front, top, or sides of the fireplace
- as a fireplace insert
- in high traffic areas
- in windy or drafty areas

WARNING: Never install in a bedroom or bathroom. Any heating product with a Btu/Hr rating over 10,000 cannot be used in a bedroom.

CAUTION: This fireplace creates warm air currents. These currents move heat to wall surfaces next to fireplace. Installing fireplace next to vinyl or cloth wall coverings or operating fireplace where impurities (such as, but not limited to, tobacco smoke, aromatic candles, cleaning fluids, oil or kerosene lamps, etc.) in the air exist, may discolor walls or cause odors.

IMPORTANT: Vent-free fireplaces add moisture to the air. Although this is beneficial, installing fireplace in rooms without enough ventilation air may cause mildew to form from too much moisture. See *Air for Combustion and Ventilation*, page 6.

Note: Your fireplace is designed to be used in zero clearance installations. Wall or framing material can be placed directly against any exterior surface on the rear, sides, or top of your fireplace, except where standoff spacers are integrally attached. If standoff spacers are attached to your fireplace, these spacers can be placed directly against wall or framing materials.

Note: When installing fireplace directly on carpeting, tile or other combustible material, other than wood flooring, the fireplace shall be installed on a metal or wood panel extending the full width and depth of the fireplace.

Use the dimensions shown for rough openings to create the easiest installation (see *Built-In Fireplace Installation*, page 10).

CHECK GAS TYPE

Use the correct gas type (natural or propane/LP) for your unit. If your gas supply is not correct, do not install fireplace. Call dealer where you bought fireplace for proper type fireplace.

WARNING: This appliance is equipped for (natural or propane/LP) gas. Field conversion is not permitted.

INSTALLATION

Continued

INSTALLATION ITEMS

Before installing fireplace, make sure you have the items listed below.

- external regulator (supplied by installer, for propane/LP units only)
- piping (check local codes)
- sealant (resistant to propane/LP gas)
- equipment shutoff valve *
- test gauge connection*
- ground joint union
- sediment trap
- tee joint
- pipe wrench

* A CSA design-certified equipment shutoff valve with 1/8" NPT tap is an acceptable alternative to test gauge connection. Purchase the optional CSA design-certified equipment shutoff valve from your dealer. See *Accessories*, page 44.

Note: If desired, purchase a four-sided brass trim kit for built-in installations. See *Accessories*, page 44.

FIREPLACE CLEARANCES

⚠ WARNING: Maintain the minimum clearances shown in Figure 7. If you can, provide greater clearances from floor, ceiling, and joining wall.

If your fireplace is to be used with an optional mantel, the installation instructions included with your mantel shows an CSA approved method of attaching the fireplace/mantel system to a wall. **IMPORTANT:** Only use optional cabinet or corner mantels specified in this manual. Purchase the optional mantel from your dealer (see *Accessories*, page 44).

If your fireplace is to be recessed into the wall, see *Built-In Fireplace Installation* to secure your fireplace into the wall.

⚠ CAUTION: If you install the fireplace in a home garage

- fireplace pilot and burner must be at least 18 inches above floor.
- locate fireplace where moving vehicle will not hit it.

For convenience and efficiency, install fireplace

- where there is easy access for operation, inspection, and service
- in coldest part of room

An optional blower kit is available from your dealer. See *Accessories*, page 44. If planning to use blower, follow instructions provided with blower for power source.

Minimum Clearances For Side Combustible Material, Side Wall, and Ceiling

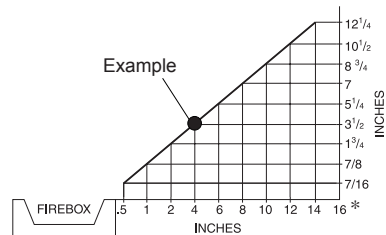
A. Clearances from the side of the fireplace cabinet to any combustible material and wall should follow diagram in Figure 7.

Example: The face of a mantel, bookshelf, etc. is made of combustible material and protrudes 3 1/2" from the wall. This combustible material must be 4" from the side of the fireplace opening (see Figure 7).

B. Clearances from the top of the fireplace opening to the ceiling should not be less than 36 inches.

C. For mantel clearances, see Figure 11, page 12.

| MINIMUM CLEARANCE TO COMBUSTIBLE MATERIALS | | |
|--|----------------------|-----------------|
| Top | Left and Right Sides | Bottom and Rear |
| 36" | 6" | 0" |



*Minimum 16 inches from Side Wall

Figure 7 - Minimum Clearance for Combustible to Wall

BUILT-IN FIREPLACE INSTALLATION

Built-in installation of this fireplace involves installing fireplace into a framed-in enclosure. This makes the front of fireplace flush with wall. An optional brass trim kit accessory is available (see *Accessories*, page 44). Brass trim will extend past sides of fireplace approximately 1/2". This will cover the rough edges of the wall opening. If installing a built-in mantel above the fireplace, you must follow the clearances shown in Figure 12, page 12. Follow the instructions below to install the fireplace in this manner.

INSTALLATION

Continued

| | Actual | Framing |
|-------------|----------------------------------|----------------------------------|
| Height | 26" | 26 ⁷ / ₈ " |
| Front Width | 26 ³ / ₄ " | 26 ⁷ / ₈ " |
| Depth | 14 ¹ / ₄ " | 15 ¹ / ₄ " |

1. Frame in rough opening. Use dimensions shown in Figure 8 for the rough opening. If installing in a corner, use dimensions shown in Figure 10 for the rough opening. The height is 26 ⁷/₈" which is the same as the wall opening above.
2. If installing GA3450TA blower accessory, do so at this time. Follow instructions included with blower accessory.

Note: If not installing blower accessory, you may wish to run electrical wiring to your fireplace for future blower installation (see *Accessories*, page 44). Use only approved three-wire electrical wiring.

⚠ WARNING: If pre-wiring, do not connect wiring to any electrical source at this time.

Install fireplace electrical outlet and connect wiring to outlet before connecting to electrical source. The fireplace electrical outlet is included with the GA3450TA blower accessory.

Only use the fireplace electrical outlet supplied with the GA3450TA blower accessory.

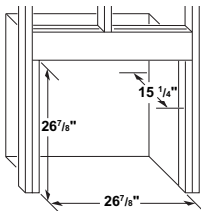


Figure 8 - Rough Opening for Installing in Wall

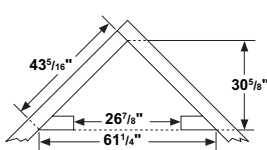


Figure 9 - Rough Opening for Installing in Corner

Note: A qualified installer should make all electrical connections.

3. Install gas piping to fireplace location. This installation includes an approved flexible gas line (if allowed by local codes) after the equipment shutoff valve. The flexible gas line must be the last item installed on the gas piping.
4. If you have not installed hood, follow instructions on page 6.
5. Carefully set fireplace in front of rough opening with back of fireplace inside wall opening.
6. Attach flexible gas line to fireplace gas regulator. See *Connecting Equipment Shutoff Valve to Heater Control*, page 17.
7. Bend four nailing flanges on outer casing with pliers (see Figure 10).
8. Attach fireplace to wall studs using nails or wood screws through holes in nailing flange.
9. Check all gas connections for leaks. See *Checking Gas Connections*, page 17.
10. If using optional brass trim kit, install the trim after final finishing and/or painting of wall. See instructions included with brass trim accessory for attaching brass trim.

IMPORTANT: When finishing your firebox, combustible materials such as wall board, gypsum board, sheet rock, drywall, plywood, etc. may be butted up next to the sides and top edge of the firebox. Combustible materials should never overlap the firebox front facing.

⚠ WARNING: Do not allow any combustible/noncombustible materials to overlap the firebox front facing.

⚠ WARNING: Do not allow noncombustible materials to cover any necessary openings like louvered slots.

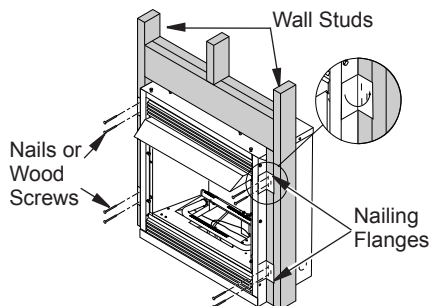


Figure 10 - Attaching Fireplace to Wall Studs

INSTALLATION

Continued

⚠ WARNING: Never modify or cover the louvered slots on the front of the firebox.

Mantel Clearances for Built-In Installation

If placing mantel above built-in fireplace, you must meet minimum clearance between mantel shelf and top of fireplace opening.

NOTICE: Surface temperatures of adjacent walls and mantels become hot during operation. Walls and mantels above the firebox may become hot to the touch. If installed properly, these temperatures meet the requirement of the national product standard. Follow all minimum clearances shown in this manual.

NOTICE: If your installation does not meet the minimum clearances shown in Figure 11, you must do one of the following:

- raise the mantel to an acceptable height
- remove the mantel

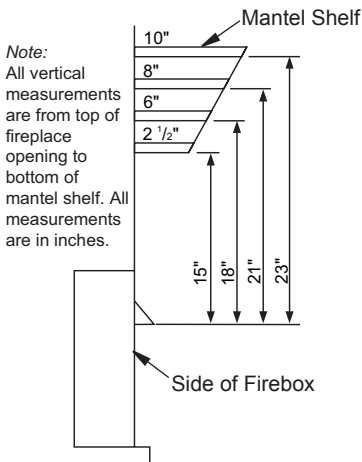


Figure 11 - Minimum Mantel Clearances for Built-In Installation

OPTIONAL MANTEL INSTALLATION

Refer to instructions provided with the mantel for assembly instructions. Refer to the following instructions for system installation. Refer to instructions on page 6 for hood assembly. Blower accessory should be installed prior to mantel if it is being used (see *Installing Optional Blower Accessory GA3450TA*, page 13).

1. Assemble cabinet mantel as shown in accessory instruction sheet.
2. If blower is installed, install a properly grounded, 120 volt three-prong electrical outlet at fireplace location if an outlet is not there. If possible, locate outlet so cabinet mantel will cover it when installed (see Figure 12).
3. Place hearth base against wall at installation location. Cut an access hole in hearth base to run gas line to fireplace (see Figure 12). Make sure to locate access hole so cabinet mantel will cover it when installed. **Note:** You can secure base to floor using wood screws. Countersink screw heads and putty over.
4. Route flexible gas line through access hole in hearth base.
5. Center cabinet mantel on hearth base (see Figure 13, page 13). Make sure mantel is flush against wall and centered left to right on base.
6. Use screws provided with mantel accessory to attach mantel assembly to base (see mantel instruction sheet).
7. Attach flexible gas line to fireplace gas regulator. See *Connecting to Gas Supply*, page 16.
8. Route electrical cord(s) through access holes in either side of fireplace with bushing. Plug electrical cord(s) into electrical outlet.
9. Check all gas connections for leaks. See *Checking Gas Connections*, page 17.
10. Carefully insert fireplace into cabinet mantel (see Figure 14, page 13). Be careful not to scratch or damage hearth base or cabinet mantel.

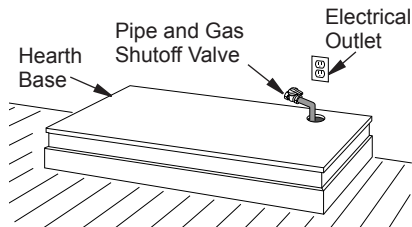


Figure 12 - Placing Hearth Base Against Wall

INSTALLATION

Continued

- Place metal trim on shoulder screws located on the side and top of the fireplace (see *Assembling Perimeter Trim*). Firmly snap trim over shoulder screws. Align fireplace in mantel assembly so the trim overlaps mantel evenly on all three sides.
- Lower bottom louver door. Use 3" wood screws provided with mantel accessory to attach fireplace to base (see mantel instruction sheet).

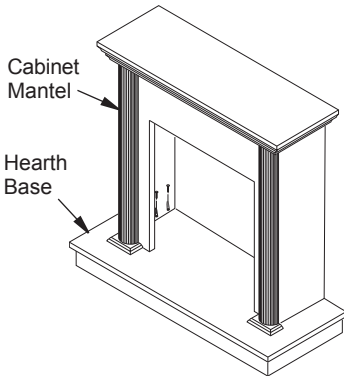


Figure 13 - Installing Cabinet Mantel onto Hearth Base

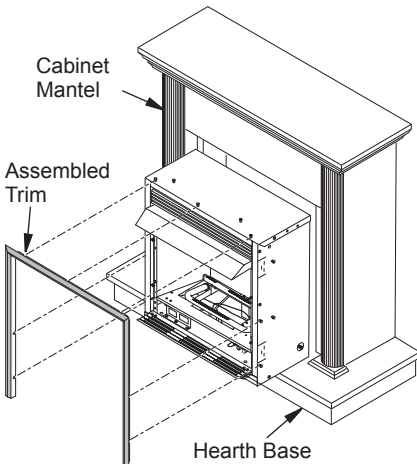


Figure 14 - Installing Fireplace into Mantel Assembly

Assembling Perimeter Trim (Perimeter trim shipped with mantel)

- Remove packaging from three remaining pieces of trim.
- Locate two adjusting plates with set screws, and two shims in the hardware packet.

- Align shim under adjusting plate as shown in Figure 15.
- Slide one end of adjusting plate/shim in slot on mitered edge of top brass trim (see Figure 15).
- Slide other end of adjusting plate/shim in slot on mitered edge of side perimeter trim (see Figure 15).
- While firmly holding edges of perimeter trim together, tighten both set screws on the adjusting plate with slotted screwdriver.
- Repeat steps 1 through 6 for other corner.
- Set perimeter trim assembly aside for later installation.

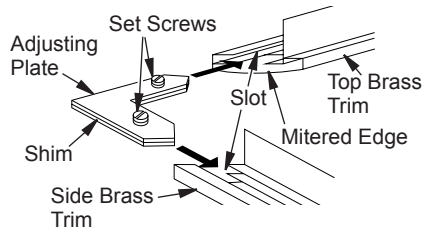


Figure 15 - Assembling Brass Trim

INSTALLING OPTIONAL BLOWER ACCESSORY GA3450TA

Removing Upper Louver

To install the blower accessory, you must first remove the upper louver.

- Lift screen off fireplace and remove log set if installed.
- Remove 4 screws from upper louver (see Figure 16). Save these screws.
- Pull upper louver straight out from the cabinet. Be careful not to scratch the paint. Set louver aside.
- Open lower louver door by swinging door down (see Figure 16).

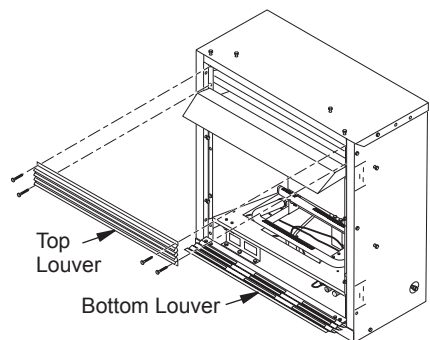


Figure 16 - Removing Top Louver and Opening Bottom Louver

INSTALLATION

Continued

Installing Blower Accessory

⚠ CAUTION: Label all wires prior to disconnection when servicing controls. Wiring errors can cause improper and dangerous operation.

⚠ CAUTION: Verify proper operation after servicing.

Note: If you are using a mantel with your fireplace, use the following instructions. If your fireplace is built-in, see *For Built-In Installation*, page 15.

1. Install snap bushings found in blower kit into hole in left side of outer casing and into one of the holes in rear of remote/blower bracket.
2. Make sure the wire harness is firmly connected to the terminals on the blower bracket assembly.
3. Note the wire locations on back of AUTO/OFF/ON switch. The terminals on back of switch are numbered 1, 2, and 3. Carefully remove red wire from terminal 3 and blue wire from terminal 1. Black wire can remain on middle terminal 2 (see Figure 17).
4. Carefully disconnect green and white wires at their insulated connectors (see Figure 18).

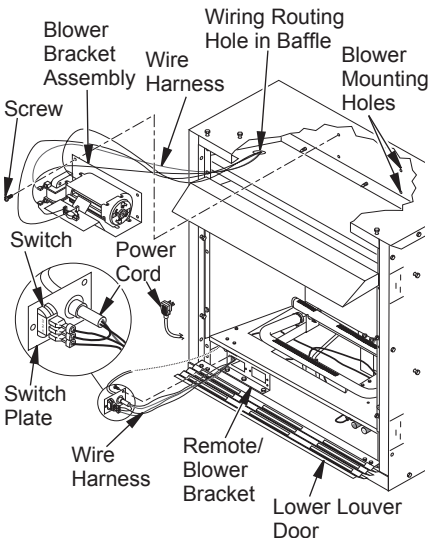


Figure 17 - Installing Blower Bracket Assembly (Remote-Ready Unit Shown)

5. In top of the fireplace cabinet, locate the four mounting holes on the outer casing. Align these four holes with those on the blower bracket assembly. Attach blower bracket assembly to the outer casing with 4 #10 screws provided (see Figure 17).
6. Route the wire harness through the hole in left side of baffle and between firebox wrapper and outer casing.
7. Insert the 4 wire harnesses from behind the remote/blower bracket through hole in rear of bracket with bushing and through the left rectangular hole to front of fireplace (see Figure 17).
8. Reconnect red wire to switch position 3. Reconnect blue wire to switch position 1. Reconnect green and white wires.
9. Install the switch plate on the remote/blower bracket with 2 #10 screws provided (see Figure 19). Route power cord out of the cabinet by inserting it through the bushing on the outer casing (see Figure 17). Plug fan kit into 120-Volt grounded power supply and test operation. *Note:* When switch is in the AUTO position, the fan will start after the fireplace has run for a few moments. The fan will continue to run for several moments after the fireplace has been turned off. When switch is in the ON position, the fan will run until turned to OFF.
10. Reinstall upper louver beginning with bottom screws (see Figure 16, page 13). Close lower louver door.

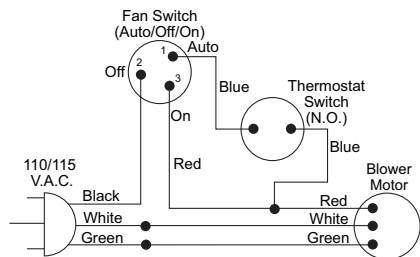


Figure 18 - Wiring Diagram For Blower Accessory Standard Installation

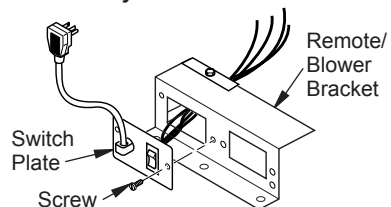


Figure 19 - Installing Switch Plate to Remote/Blower Bracket

INSTALLATION

Continued

For Built-In Installation

⚠ WARNING: A licensed electrician must connect the wiring harness to electrical supply following all local codes. Electrician must provide a clamp on the box cover to secure the wiring. Wiring should be routed through the bushing in the hole on the outer casing of fireplace.

1. Install snap bushing from blower kit into one hole on rear of remote/blower bracket (see Figure 20). The other hole is for a strain relief clamp (not supplied) to secure incoming electrical supply.
2. Follow steps 2 through 6 in *Installing Blower Accessory*, page 14.
3. A licensed electrician must follow the wiring diagram to connect incoming electrical supply to fan kit wiring harness (see Figure 21).
4. Plug power cord to outlet receptacle (not provided) as shown in Figure 20. Wind extra cable of power cord and tie up with plastic wire strap (see Figure 20). Set cable bundle between the remote/blower bracket and outer casing, away from the burner.

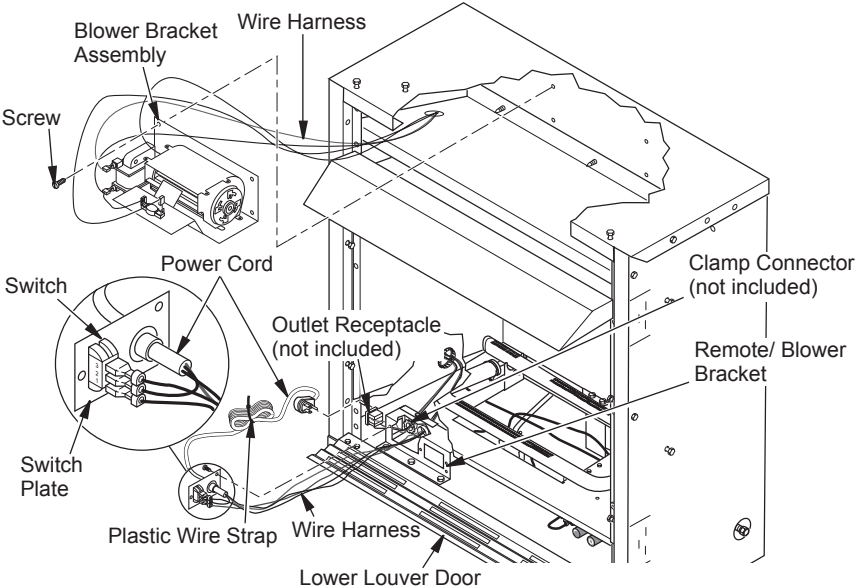


Figure 20 - Installing Blower Bracket Assembly

5. Test to make sure blower is working properly.
6. Reinstall upper louver beginning with bottom screws (see Figure 16, page 13) and close lower louver.

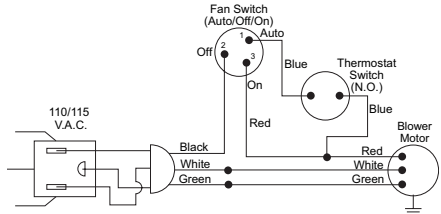


Figure 21 - Wiring Diagram For Blower Accessory Built-In Installation

Extension Cord

Use extension cord if needed. The cord must have a three-prong, grounding plug and a three-hole receptacle. Make sure cord is in good shape. It must be heavy enough to carry the current needed. An undersized cord will cause a drop in line voltage. This will result in loss of power and overheating. Use a No. 16 AWG cord for lengths less than 50 feet.

INSTALLATION

Continued

CONNECTING TO GAS SUPPLY

⚠ WARNING: This appliance requires a 45° male flare fitting 5/8"-18 UNF (Unified National Fine Thread) inlet connection and the flexible gas line provided.

⚠ WARNING: A qualified service person must connect fireplace to gas supply. Follow all local codes.

⚠ WARNING: Never connect natural gas fireplace to private (non-utility) gas wells. This gas is commonly known as wellhead gas.

IMPORTANT: For natural gas, check gas line pressure before connecting fireplace to gas line. Gas line pressure must be no greater than 14 inches of water. If gas line pressure is higher, heater regulator damage could occur.

⚠ CAUTION: Never connect propane/LP fireplace directly to the propane/LP supply. This fireplace requires an external regulator (not supplied). Install the external regulator between the fireplace and propane/LP supply.

For propane/LP units, the installer must supply an external regulator. The external regulator will reduce incoming gas pressure. You must reduce incoming gas pressure to between 11 and 14 inches of water. If you do not reduce incoming gas pressure, fireplace regulator damage could occur. Install external regulator with the vent pointing down as shown in Figure 22. Pointing the vent down protects it from freezing rain or sleet.

⚠ CAUTION: Use only new, black iron or steel pipe. Internally-tinned copper tubing may be used in certain areas. Check your local codes. Use pipe of 1/2" or greater diameter to allow proper gas volume to fireplace. If pipe is too small, undue loss of volume will occur.

Installation must include an equipment shutoff valve, union, and plugged 1/8" NPT tap. Locate NPT tap within reach for test gauge hook up. NPT tap must be upstream from heater (see Figure 23).

IMPORTANT: Install equipment shutoff valve in an accessible location. The equipment shutoff valve is for turning on or shutting off the gas to the appliance.

Check your building codes for any special requirements for locating equipment shutoff valve to fireplaces.

Apply pipe joint sealant lightly to male NPT threads. This will prevent excess sealant from going into pipe. Excess sealant in pipe could result in clogged fireplace valves.

⚠ WARNING: Use pipe joint sealant that is resistant to liquid petroleum (LP) gas.

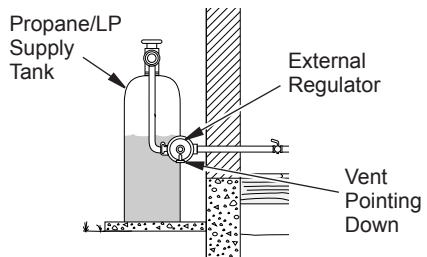


Figure 22 - External Regulator With Vent Pointing Down

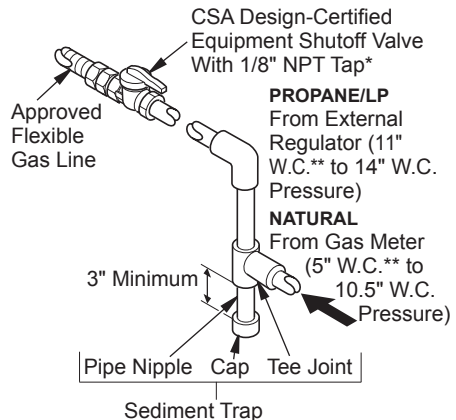


Figure 23 - Gas Connection

* Purchase the optional CSA design-certified equipment shutoff valve from your dealer. See *Accessories*, page 44.

INSTALLATION

Continued

We recommend that you install a sediment trap in supply line as shown in Figure 23, page 16. Locate sediment trap where it is within reach for cleaning. Install in piping system between fuel supply and heater. Locate sediment trap where trapped matter is not likely to freeze. A sediment trap traps moisture and contaminants. This keeps them from going into fireplace controls. If sediment trap is not installed or is installed wrong, fireplace may not run properly.

CONNECTING EQUIPMENT SHUTOFF VALVE TO HEATER CONTROL

Installation Items Needed

- Phillips screwdriver
- sealant (resistant to propane/LP gas, not provided)

1. Open lower louver (see Figure 24).

NOTICE: Most building codes do not permit concealed gas connections. A flexible gas line is provided to allow accessibility from the fireplace (see Figure 24). The flexible gas supply line connection to the equipment shutoff valve should be accessible.

2. Route flexible gas line, included, from fireplace control to equipment shutoff valve through side access holes in outer casing.
3. Apply pipe joint sealant lightly to male threads of gas connector attached to flexible gas line/equipment shutoff valve (see Figure 25).

CAUTION: Avoid damage to regulator. Hold gas regulator with wrench when connecting it to gas piping and/or fittings (Thermostat-Controlled Models Only).

CAUTION: Avoid damage to gas control. Hold gas control with wrench when connecting it to gas piping and/or fittings (Remote-Ready Models Only).

4. Check all gas connections for leaks. See *Checking Gas Connections*, below. Feed flexible gas line into fireplace. Make sure the entire flexible gas line is in fireplace.

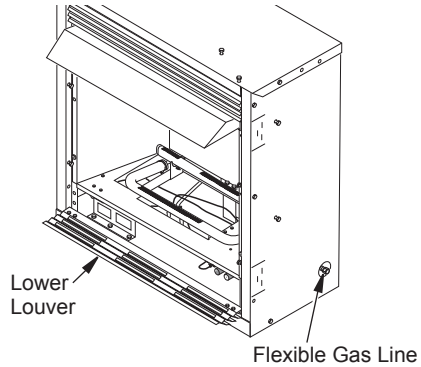


Figure 24 - Flexible Gas Line Location (Remote-Ready Unit Shown)

To Gas Regulator (Thermostat-Controlled Models) or Control Valve (Remote-Ready Models)

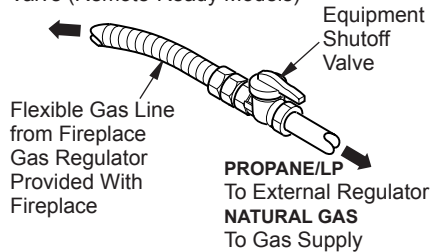


Figure 25 - Attaching Flexible Gas Line to Equipment Shutoff Valve

CHECKING GAS CONNECTIONS

WARNING: Test all gas piping and connections, internal and external to unit, for leaks after installing or servicing. Correct all leaks at once.

WARNING: Never use an open flame to check for a leak. Apply a noncorrosive leak detection fluid to all joints. Bubbles forming show a leak. Correct all leaks at once.

INSTALLATION

Continued

CAUTION: Make sure external regulator has been installed between propane/LP supply and fireplace. See guidelines under *Connecting to Gas Supply*, page 16.

PRESSURE TESTING GAS SUPPLY PIPING SYSTEM

Test Pressures In Excess Of 1/2 PSIG (3.5 kPa)

1. Disconnect appliance with its appliance main gas valve (control valve) and equipment shutoff valve from gas supply piping system. Pressures in excess of 1/2 psig will damage heater regulator.
2. Cap off open end of gas pipe where equipment shutoff valve was connected.
3. Pressurize supply piping system by either opening propane/LP supply tank valve for propane/LP gas or opening main gas valve located on or near gas meter for natural gas, or using compressed air.
4. Check all joints of gas supply piping system. Apply noncorrosive leak detection fluid to all joints. Bubbles forming show a leak.
5. Correct all leaks at once.
6. Reconnect fireplace and equipment shutoff valve to gas supply. Check reconnected fittings for leaks.

Test Pressures Equal To or Less Than 1/2 PSIG (3.5 kPa)

1. Close equipment shutoff valve (see Figure 26).
2. Pressurize supply piping system by either opening propane/LP supply tank valve for propane/LP gas or opening main gas valve located on or near gas meter for natural gas, or using compressed air.
3. Check all joints from gas meter to equipment shutoff valve for natural gas or propane/LP supply to equipment shutoff valve for propane/LP (see Figures 27 or 28). Apply noncorrosive leak detection fluid to all joints. Bubbles forming show a leak.
4. Correct all leaks at once.

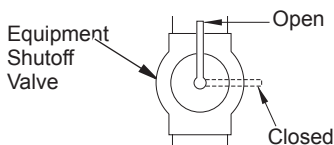


Figure 26 - Equipment Shutoff Valve

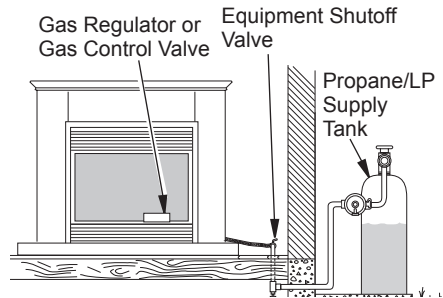


Figure 27 - Checking Gas Joints (Propane/LP Only)

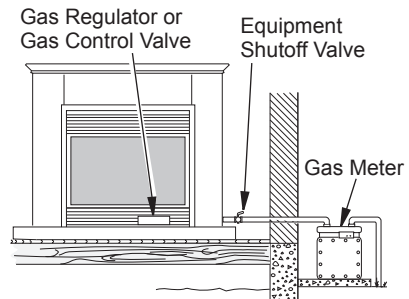


Figure 28 - Checking Gas Joints (Natural Gas Only)

PRESSURE TESTING FIREPLACE GAS CONNECTIONS

1. Open equipment shutoff valve (see Figure 26).
2. Open main gas valve located on or near gas meter for natural gas or open propane/LP supply tank valve.
3. Make sure control knob of fireplace is in the OFF position.
4. Check all joints from equipment shutoff valve to gas regulator (Thermostat-Controlled Models), or to gas control valve (Remote-Ready Models) (see Figures 27 or 28). Apply noncorrosive leak detection fluid to all joints. Bubbles forming show a leak.
5. Correct all leaks at once.
6. Light fireplace (see *Operating Fireplace*, page 22). Check all other internal joints for leaks.
7. Turn off fireplace (see *To Turn Off Gas to Appliance*, page 23 for Thermostat-Controlled Models or page 25 for Remote-Ready Models).

INSTALLATION

Continued

OPTIONAL WIRELESS HAND-HELD REMOTE CONTROL ACCESSORIES

Remote-Ready Models Only (HRC100 Series & HRC200 Series)

Installing Receiver

1. Disconnect wires from the control valve (see Figure 29).
2. Locate the battery clip mounted on the back of the receiver (see Figure 30).
3. Slide 9-volt battery (not included) through the clip.
4. Attach the terminal wires to the battery (see Figure 30).
5. Connect wires from remote receiver to control valve as shown in Figure 31.
6. Install remote receiver unit onto remote/blower bracket using screws provided (see Figure 31).

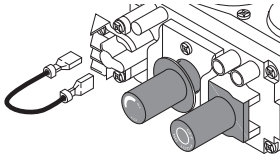


Figure 29 - Disconnecting Wires From Control Valve

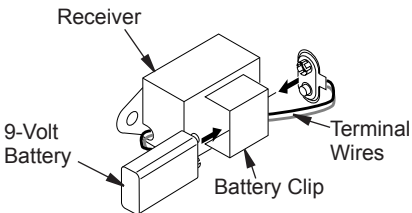


Figure 30 - Attaching Battery to Receiver

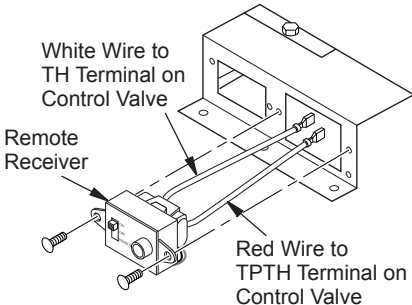


Figure 31 - Installing Remote Receiver

Installing 9-Volt Battery in Hand-Held Remote Control Unit

1. Remove battery cover on back of remote control unit.
2. Attach terminal wires to the battery (not included). Place battery into the battery housing.
3. Replace battery cover onto remote control unit.

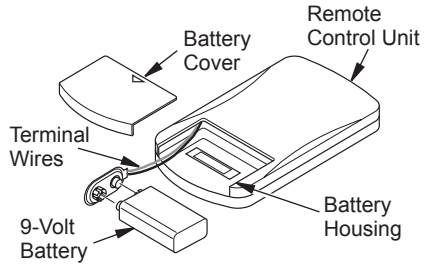


Figure 32 - Installing Battery in Hand-Held Remote Control Unit

OPTIONAL WALL MOUNTED THERMOSTAT - GWMT1 (Remote-Ready Models Only)

⚠ WARNING: Read and follow installation instructions. Installation should be done by a qualified installer familiar with low-voltage wiring procedures.

⚠ WARNING: Do not connect this thermostat to any electrical source! Electrical shock and/or fire hazard will occur.

1. Remove jumper wire from control valve (see Figure 39).
2. Connect one terminal of 25 ft. wire to the “TH” terminal on the control valve. Connect the other terminal to the “THTP” terminal on the control valve. See Figure 33.

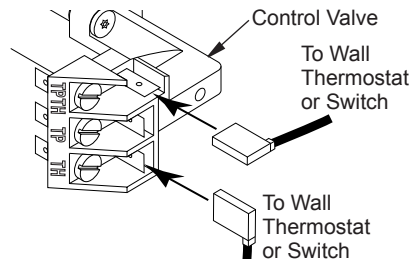


Figure 33 - Connecting Wire Terminals

INSTALLATION

Continued

- Route the 25 ft. wire to a convenient location to mount your thermostat (no outside wall). **IMPORTANT:** The wire may be shortened but must not be lengthened.

The thermostat should be mounted 54" above the floor in a location where there is good air circulation. Avoid heat sources such as lamps, direct sunlight, fireplace, or heat and air conditioning ducts.

- Gently remove the cover of the thermostat from the base. Grasp the sides of the cover firmly and pull to separate from the base.
- Feed the electrical wires through the rectangular slots on each side of the base (see Figure 34).

⚠ WARNING: Do not connect the thermostat to a power source. Electrical shock and/or a fire hazard will occur.

- Connect one bare wire end to each terminal ("W" and "R") of the thermostat base (see Figure 35).
- Install the base onto the wall with the provided screws.
- Move the temperature adjustment back and forth to insure the bimetal is free from restrictions.
- Replace the cover onto the base. (Upon installation, the thermostat must be allowed to stabilize at room temperature for a minimum of 30 minutes for proper operation).
- Set the temperature adjustment to the desired setting. This thermostat has been electronically calibrated at the factory. No adjustment or leveling is necessary.

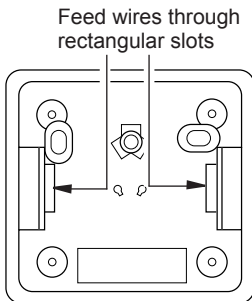


Figure 34 - Back View of Thermostat Base

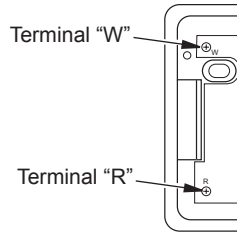


Figure 35 - Thermostat Base Terminals "W" and "R"

OPTIONAL WALL SWITCH - GWMS2 (Remote-Ready Models Only)

⚠ WARNING: Read and follow installation instructions. Installation should be done by a qualified installer familiar with low-voltage wiring procedures.

⚠ WARNING: Do not connect this switch to any electrical source! Electrical shock and/or fire hazard will occur.

- Remove jumper wire from control valve (see Figure 29, page 19).
- Connect one terminal of 25 ft. wire to the "TH" terminal on the control valve. Connect the other terminal to the "THTP" terminal on the control valve. See Figure 33, page 19.
- Route the 25 ft. wire to a convenient location to mount your wall switch (no outside walls).

⚠ WARNING: Do not connect the switch to a power source. Electrical shock and/or fire hazard will occur.

IMPORTANT: The wire may be shortened but must not be lengthened.

- Connect one bare wire end to each of the terminals of the provided wall switch.
- Install the wall switch and cover in the wall.

INSTALLING LOG SET AND SCREEN (Models with One-Piece Screen Only)

- Remove log packaging material and discard packaging. Gently place log over burner (see Figure 36, page 21). Do not allow log to contact flame. If flame contacts log, soot will be created.

INSTALLATION

Continued

2. Reattach screen by placing the notches in the screen frame over the shoulder screws and pushing down.

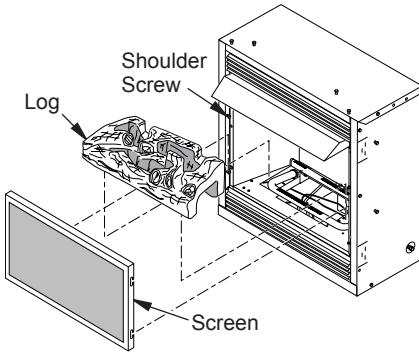


Figure 36 - Installing Log and Screen

INSTALLING BRICK LINERS AND LOG SET AND SCREEN

(Models CDCFNR and CDCFPR Only)

1. Remove packaging from brick liners previously removed from behind top louver.
2. Place rear brick liner against back of firebox. The left and right brick liners will hold this liner in place (see Figure 37). Be sure to hold the rear brick liner while installing the sides so it will not fall forward.
3. Install left and right brick liners using brackets and screws from hardware kit as shown in Figure 38. Screw the bracket into top of firebox and against brick liners. Adjust bracket before tightening screw.

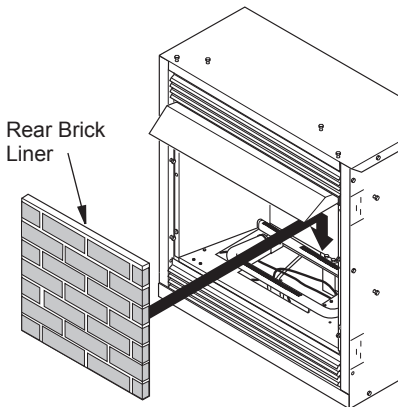


Figure 37 - Installing Rear Brick Liner

4. Remove log packaging material and discard. Gently place log over burner (see Figure 39). (Do not allow log to contact flame as this will create sooting.)
5. Insert each rod through ten rings located at top of screen (see Figure 40).

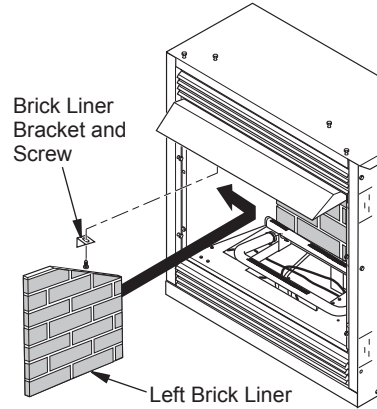


Figure 38 - Installing Side Brick Liners

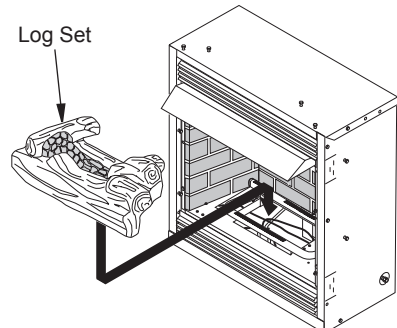


Figure 39 - Installing Log

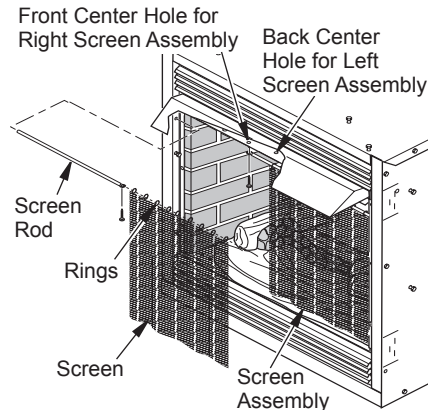


Figure 40 - Installing Screen for Models CDCFNR/CDCFPR

INSTALLATION

Continued

6. Insert first rod into hole in left side of firebox. Fasten rod to rear hole near center of firebox using black Phillips head screw (see Figure 40, page 21).
7. Insert other rod into hole on right side of firebox and fasten rod to front hole near center of firebox using remaining sheet metal screw.

OPERATING FIREPLACE

THERMOSTAT-CONTROLLED MODELS

FOR YOUR SAFETY READ BEFORE LIGHTING



WARNING: If you do not follow these instructions exactly, a fire or explosion may result causing property damage, personal injury or loss of life.

- A. This appliance has a pilot which must be lighted by hand. When lighting the pilot, follow these instructions exactly.
- B. **BEFORE LIGHTING** smell all around the appliance area for gas. Be sure to smell next to the floor because some gas is heavier than air and will settle on the floor.
WHAT TO DO IF YOU SMELL GAS
 - Do not try to light any appliance.
 - Do not touch any electric switch; do not use any phone in your building.
 - Immediately call your gas supplier from a neighbor's phone. Follow the gas supplier's instructions.
 - If you cannot reach your gas supplier, call the fire department.
- C. Use only your hand to push in or turn the gas control knob. Never use tools. If the knob will not push in or turn by hand, don't try to repair it, call a qualified service technician or gas supplier. Force or attempted repair may result in a fire or explosion.
- D. Do not use this appliance if any part has been under water. Immediately call a qualified service technician to inspect the appliance and to replace any part of the control system and any gas control which has been under water.

LIGHTING INSTRUCTIONS

WARNING: You must operate this fireplace with the screen in place. Make sure fireplace screen is installed before running fireplace.

NOTICE: During initial operation of new fireplace, burning logs will give off a paper-burning smell. Open window to vent smell. Operate fireplace on HI position to burn off odor. This will only last a few hours.

1. STOP! Read the safety information starting in column 1.
2. Make sure equipment shutoff valve is fully open.
3. Turn control knob clockwise  to the OFF position.
4. Wait five (5) minutes to clear out any gas. Then smell for gas, including near the floor. If you smell gas, STOP! Follow "B" in the safety information in column 1. If you don't smell gas, go to the next step.
5. Turn control knob counterclockwise  to the PILOT position. Press in control knob for five (5) seconds (see Figure 41).

Note: You may be running this fireplace for the first time after hooking up to gas supply. If so, the control knob may need to be pressed in for 30 seconds or more. This will allow air to bleed from the gas system.

- If control knob does not pop out when released, contact a qualified service person or gas supplier for repairs.

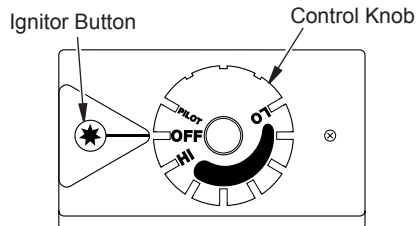


Figure 41 - Control Knob In The OFF Position

OPERATING FIREPLACE

Continued

6. With control knob pressed in, press and release ignitor button. This will light pilot. The pilot is attached to the front burner. If needed, keep pressing ignitor button until pilot lights.

Note: If pilot does not stay lit, refer to *Troubleshooting*, page 30. Also, contact a qualified service person or gas supplier for repairs. Until repairs are made, light pilot with match. To light pilot with match, see *Manual Lighting Procedure*.

7. Keep control knob pressed in for 30 seconds after lighting pilot. After 30 seconds, release control knob.

Note: If pilot goes out, repeat steps 3 through 7. This fireplace has a safety interlock system. Wait one (1) minute for system to reset before lighting pilot again.

8. Turn control knob counterclockwise to desired heating level. The burner should light. Set control knob to any heat level between HI and LO.

CAUTION: Do not try to adjust heating levels by using the equipment shutoff valve.

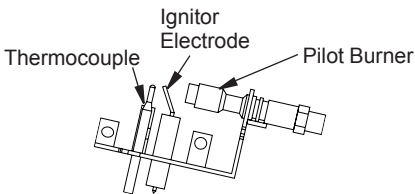


Figure 42 - Natural Gas Pilot

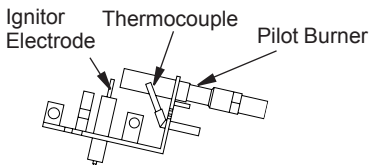




Figure 43 - Propane/LP Gas Pilot

TO TURN OFF GAS TO APPLIANCE

Shutting Off Fireplace

1. Turn control knob clockwise  to the OFF position.
2. Turn off all electric power to the appliance (if applicable) if service is to be performed.

Shutting Off Burners Only (pilot stays lit)

Turn control knob clockwise  to the PILOT position.

THERMOSTAT CONTROL OPERATION

The thermostat used on this fireplace senses the room temperature. At times the room may exceed the set temperature. If so, the burner will shut off. The burner will cycle back on when room temperature drops below the set temperature.

The control knob can be set to any heat level between HI and LO.

Note: The thermostat sensing bulb measures the air near the fireplace cabinet. This may not always agree with room temperature (depending on housing construction, installation location, room size, open air temperatures, etc.). Frequent use of your fireplace will let you determine your own comfort levels.

MANUAL LIGHTING PROCEDURE

1. Follow steps 1 through 5 under *Lighting Instructions*, page 22.
2. With control knob pressed in, strike match. Hold match to pilot until pilot lights.
3. Keep control knob pressed in for 30 seconds after lighting pilot. After 30 seconds, release control knob. Now follow step 8 under *Lighting Instructions*, column 1.

OPERATING BLOWER

This blower has three settings: ON, OFF, and AUTO. In the ON position, the blower will operate constantly. In the OFF position, the blower will not operate. In the AUTO position, the blower will start when the thermostat senses a sufficient increase in firebox temperature.

Note: Your fireplace and thermostat blower will not turn on and off at the same time. The fireplace may run for several minutes before the blower turns on. After the heater modulates to the pilot position, the blower will continue to run. The blower will shut off after the firebox temperature decreases.

OPERATING FIREPLACE

Continued

Note: It is safe to operate fireplace with blower turned off. However, the blower helps distribute heated air from the fireplace.

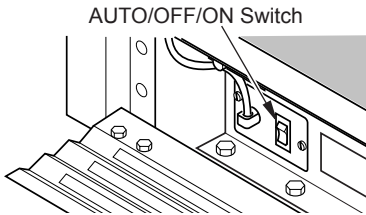


Figure 44 - AUTO/OFF/ON Blower Switch

REMOTE-READY MODELS

**FOR YOUR SAFETY
READ BEFORE LIGHTING**

WARNING: If you do not follow these instructions exactly, a fire or explosion may result causing property damage, personal injury or loss of life.

- A. This appliance has a pilot which must be lighted by hand. When lighting the pilot, follow these instructions exactly.
- B. **BEFORE LIGHTING** smell all around the appliance area for gas. Be sure to smell next to the floor because some gas is heavier than air and will settle on the floor.

WHAT TO DO IF YOU SMELL GAS

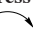

- Do not try to light any appliance.
 - Do not touch any electric switch; do not use any phone in your building.
 - Immediately call your gas supplier from a neighbor's phone. Follow the gas supplier's instructions.
 - If you cannot reach your gas supplier, call the fire department.
- C. Use only your hand to push in or turn the gas control knob. Never use tools. If the knob will not push in or turn by hand, don't try to repair it, call a qualified service technician or gas supplier. Force or attempted repair may result in a fire or explosion.
 - D. Do not use this appliance if any part has been under water. Immediately call a qualified service technician to inspect the appliance and to replace any part of the control system and any gas control which has been under water.

LIGHTING INSTRUCTIONS

WARNING: You must operate this fireplace with the screen in place. Make sure fireplace screen is installed before running fireplace.

NOTICE: During initial operation of new fireplace, burning logs will give off a paper-burning smell. Open window to vent smell. Operate fireplace on HI position to burn off odor. This will only last a few hours.

WARNING: Burner will come on automatically within one minute when control valve is in the ON position after the pilot is lit.

1. **STOP!** Read the safety information starting in column 1.
2. Make sure equipment shutoff valve is fully open.
3. Press in and turn control knob clockwise  to the OFF position (see Figure 44).
4. Wait five (5) minutes to clear out any gas. Then smell for gas, including near the floor. If you smell gas, **STOP!** Follow "B" in the safety information, column 1. If you don't smell gas, go to the next step.
5. Press in and turn control knob counter-clockwise  to the PILOT position. Press in control knob for five (5) seconds (see Figure 45).

Note: You may be running this fireplace for the first time after hooking up to gas supply. If so, the control knob may need to be pressed in for 30 seconds or more. This will allow air to bleed from the gas system.

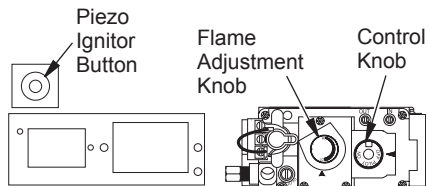


Figure 45 - Control Knob and Ignitor Button Location (Shown as Supplied - No Control Options)

OPERATING FIREPLACE

Continued


6. With control knob pressed in, press and release ignitor button. This will light pilot. The pilot is attached to the front burner. If needed, keep pressing ignitor button until pilot lights.

Note: If pilot does not stay lit, contact a qualified service person or gas supplier for repairs. Until repairs are made, light pilot with match. To light pilot with match, see *Manual Lighting Procedure*.

7. Keep control knob pressed in for 30 seconds after lighting pilot. After 30 seconds, release control knob.

• If control knob does not pop out when released, contact a qualified service person or gas supplier for repairs.

Note: If pilot goes out, repeat steps 4 through 8.

8. Slightly push in and turn control knob counterclockwise  to the ON position.
9. Set flame adjustment knob to any level between HI and LO.

CAUTION: Do not try to adjust heating levels by using the equipment shutoff valve.

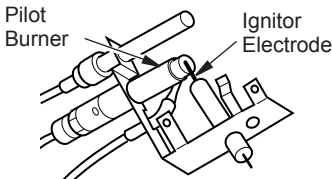


Figure 46 - Propane/LP Gas Pilot

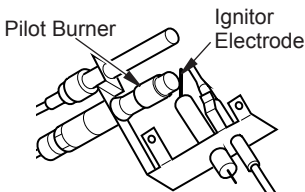




Figure 47 - Natural Gas Pilot

TO TURN OFF GAS TO APPLIANCE

Shutting Off Fireplace

1. Turn control knob clockwise  to the OFF position.
2. If Using Optional Hand-Held Remote: Set selector switch in the OFF position to prevent draining battery.

Shutting Off Burners Only (pilot stays lit)
You may shut off the burners and keep the pilot lit by doing one of the following:

1. Turn control knob clockwise  to the PILOT position.
2. If Using Optional Hand-Held Remote: Use remote control manual OFF button.

WARNING: Make sure remote sensor selector switch is in the OFF position when you are away from home for long periods of time.

MANUAL LIGHTING PROCEDURE

1. Follow steps 1 through 5 under *Lighting Instructions*, page 24.
2. Depress control knob and light pilot with match.
3. Keep control knob pressed in for 30 seconds after lighting pilot. After 30 seconds, release control knob. Now follow steps 8 and 9 under *Lighting Instructions*, column 1.

OPTIONAL HAND-HELD REMOTE OPERATION

Note: All remote control accessories must be purchased separately (see *Accessories*, page 44). Follow instructions included with the remote control.

NOTICE: You must light the pilot before using the hand-held remote control unit. See *Lighting Instructions* on page 24.

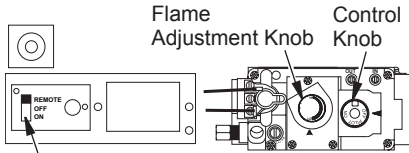
After lighting, let pilot flame burn for about one minute. Turn control knob to ON position. Adjust flame adjustment knob anywhere between HI and LO. Slide the selector switch to the REMOTE position (see Figure 48, page 26).

OPERATING FIREPLACE

Continued

Note: The burner may light if hand-held remote was on when selector switch was last turned off. You can now turn the burner on and off with the hand-held remote control unit.

IMPORTANT: Do not leave the selector switch in the REMOTE or ON position when the pilot is not lit. This will drain the battery.



Selector Switch in Remote Position (Optional Remote Control)

Figure 48 - Setting the Selector Switch, Control Knob and Flame Adjustment Knob for Remote Operation

ON/OFF SERIES (MODEL HRC100 SERIES)

Hold the control button on the hand-held remote until burner turns on. Hold the control button again until burner turns off (see Figure 49).

TO LOCK press both buttons on hand-held remote control until light stops flashing. Hand-held remote control is now locked. If the fire is on it will be turned off automatically. In the locked state, the light will not light up when any button is pressed.

TO UNLOCK press both buttons together on hand-held remote control until the light stops flashing. The hand-held remote is now unlocked.

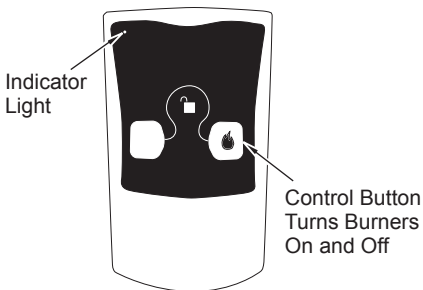


Figure 49 - On/Off Hand-Held Remote Control Unit

THERMOSTAT SERIES (MODEL HRC200 SERIES)

The hand-held remote can be operated using either the manual mode (MANU) or thermostat mode (AUTO) (see Figure 50). To select Fahrenheit/Centigrade mode display, carefully press the °C/°F mode button with the end of a paper clip or similar blunt object.

Manual Mode

1. Press the **POWER** and **LOCK** buttons together to turn on the hand-held remote control.
2. Press the **MANU** button to turn on the fireplace.
3. Press the **POWER** and **LOCK** buttons together to turn off the fireplace.

Auto (Thermostatic) Mode

1. Press the **POWER** and **LOCK** buttons together to turn on the hand-held remote control.
2. Press **AUTO** button to select this mode.
3. Set the desired room temperature by pressing the **TEMP + or -** buttons.
4. Press the **POWER** and **LOCK** buttons together to turn off the fireplace.

Note: Do not leave the hand-held remote in the AUTO mode close to the fireplace. The radiant heat from the fireplace will turn off the fireplace. Ideally, place the hand-held remote in the center of the room facing towards the fireplace.

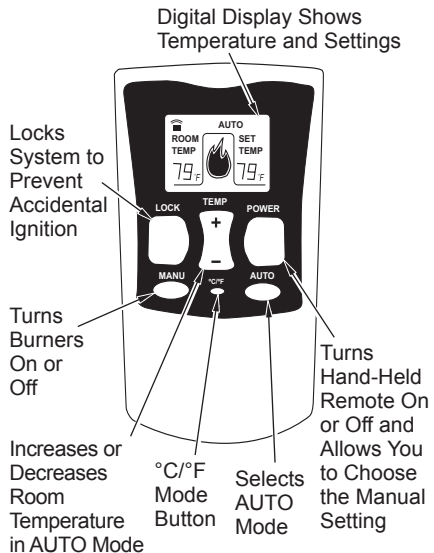


Figure 50 - Thermostat Hand-Held Remote Control Unit

OPERATING FIREPLACE

Continued

Note: Do not hold the hand-held remote for a long time. Body temperature will affect its operation in the AUTO mode.

Safety Features

When away from home for an extended period of time or as a child safety feature to prevent accidental ignition of the fireplace, the receiver ON/OFF/REMOTE switch should be in the OFF position.

Auto Shutoff Feature

1. If the average room temperature exceeds 82 degrees Fahrenheit (28 degrees Centigrade), the hand-held remote control will perform a safety override and shut the fireplace off. This feature is not available in the MANU mode.
2. The receiver continuously receives signals from the hand-held remote to control the room temperature. If the hand-held remote is misplaced, obstructed, or for any reason cannot transmit to the receiver, the receiver will shut off the fireplace after 8 minutes.

Key Pad Lock Feature

This feature allows the user to lock/unlock the keypad on the hand-held remote in the MANU or AUTO mode to prevent inadvertent operation (i.e. children operating the hand-held remote control, etc.). The keypad is locked in either on or off. Press the POWER and LOCK buttons together to turn the unit on or off.

OPTIONAL GWMT1 WALL MOUNTED THERMOSTAT

Make sure the heater switch is on AUTO and set the temperature adjustment on wall thermostat to the desired setting. The thermostat has been electronically calibrated at the factory and requires no adjustment or leveling.

Upon installation, the thermostat must be allowed to stabilize at room temperature for a minimum of 30 minutes for proper operation. See installation instructions on page 19.

OPTIONAL GWMS2 WALL MOUNTED SWITCH

Make sure the heater switch is on AUTO. This wall switch works just like the conventional light switch. Flip the switch up for on and down for off.

Note: Make sure that this switch is not in a position to be mistaken for a light switch. This may result in the fireplace being inadvertently turned on without the proper precautions being taken. See installation instructions on page 19.

OPERATING BLOWER

This blower has three settings: ON, OFF, and AUTO. In the ON position, the blower will operate constantly. In the OFF position, the blower will not operate. In the AUTO position, the blower will start when the thermostat senses a sufficient increase in firebox temperature.

Note: Your fireplace and thermostat blower will not turn on and off at the same time. The fireplace may run for several minutes before the blower turns on. After the heater modulates to the pilot position, the blower will continue to run. The blower will shut off after the firebox temperature decreases.

Note: It is safe to operate fireplace with blower turned off. However, the blower helps distribute heated air from the fireplace.

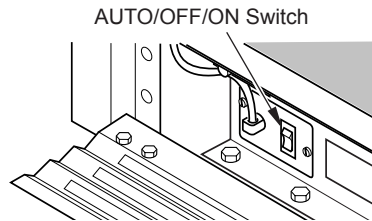


Figure 51 - AUTO/OFF/ON Blower Switch

INSPECTING BURNERS

Check pilot flame pattern and burner flame patterns often.

PILOT FLAME PATTERN

Figure 52 shows a correct pilot flame pattern. Figure 53 shows an incorrect pilot flame pattern. The incorrect pilot flame is not touching the thermocouple. This will cause the thermocouple to cool. When the thermocouple cools, the fireplace will shut down.

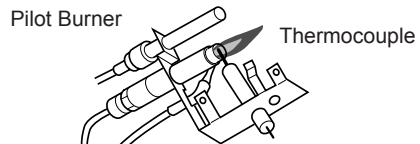


Figure 52 - Correct Pilot Flame Pattern (Propane/LP Remote-Ready Shown)

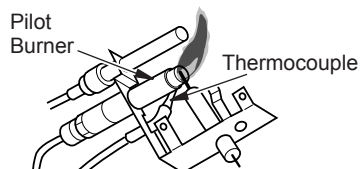


Figure 53 - Incorrect Pilot Flame Pattern (Propane/LP Remote-Ready Shown)

INSPECTING BURNERS CONTINUED

If pilot flame pattern is incorrect, as shown in Figure 53, page 27

- turn fireplace off (see *To Turn Off Gas to Appliance*, page 23 for Thermostat-Controlled Models or page 25 for Remote-Ready Models)
- see *Troubleshooting*, page 30

Note: The pilot flame on natural gas units will have a slight curve, but flame should be blue and have no yellow or orange color.

BURNER FLAME PATTERN

Figure 54 shows a correct burner flame pattern. Figure 55 shows an incorrect burner flame pattern. The incorrect burner flame pattern shows sporadic, irregular flame tipping. The flame should not be dark or have an orange/reddish tinge.

Note: When using the fireplace the first time, the flame will be orange for approximately one hour until the log cures.

If burner flame pattern is incorrect, as shown in Figure 55

- turn fireplace off (see *To Turn Off Gas to Appliance*, page 23 for Thermostat-Controlled Models or page 25 for Remote-Ready Models)
- see *Troubleshooting*, page 30

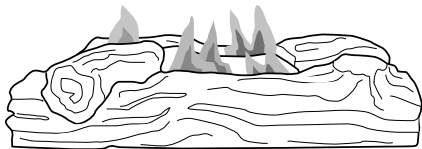


Figure 54 - Correct Burner Flame Pattern

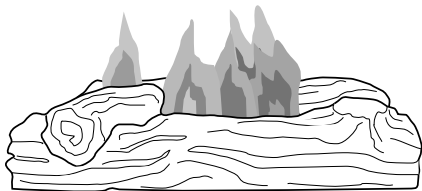


Figure 55 - Incorrect Burner Flame Pattern

CLEANING AND MAINTENANCE

⚠ WARNING: Turn off fireplace and let cool before cleaning.

⚠ CAUTION: You must keep control areas, burner, and circulating air passageways of fireplace clean. Inspect these areas of fireplace before each use. Have fireplace inspected yearly by a qualified service person. Fireplace may need more frequent cleaning due to excessive lint from carpeting, pet hair, bedding material, etc.

⚠ WARNING: Failure to keep the primary air opening(s) of the burner(s) clean may result in sooting and property damage.

BURNER INJECTOR HOLDER AND PILOT AIR INLET HOLE

The primary air inlet holes allow the proper amount of air to mix with the gas. This provides a clean burning flame. Keep these holes clear of dust, dirt, lint, and pet hair. Clean these air inlet holes prior to each heating season. Blocked air holes will create soot. We recommend that you clean the unit every three months during operation and have fireplace inspected yearly by a qualified service person.

We also recommend that you keep the burner tube and pilot assembly clean and free of dust and dirt. To clean these parts we recommend using compressed air no greater than 30 PSI. Your local computer store, hardware store, or home center may carry compressed air in a can. You can use a vacuum cleaner in the blow position. If using compressed air in a can, please follow the directions on the can. If you don't follow directions on the can, you could damage the pilot assembly.

1. Shut off the unit, including the pilot. Allow the unit to cool for at least thirty minutes.
2. Inspect burner, pilot, and primary air inlet holes on injector holder for dust and dirt (see Figure 56, page 29).

CLEANING AND MAINTENANCE

Continued

3. Blow air through the ports/slots and holes in the burner.
4. Check the injector holder located at the end of the burner tube again. Remove any large particles of dust, dirt, lint, or pet hair with a soft cloth or vacuum cleaner nozzle.
5. Blow air into the primary air holes on the injector holder.
6. In case any large clumps of dust have now been pushed into the burner repeat steps 3 and 4.

Clean the pilot assembly also. A yellow tip on the pilot flame indicates dust and dirt in the pilot assembly. There is a small pilot air inlet hole about two inches from where the pilot flame comes out of the pilot assembly (see Figures 57 or 58 depending on model). With the unit off, lightly blow air through the air inlet hole. You may blow through a drinking straw if compressed air is not available.

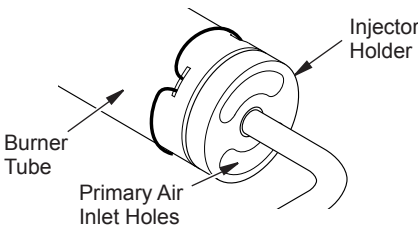


Figure 56 - Injector Holder On Outlet Burner Tube

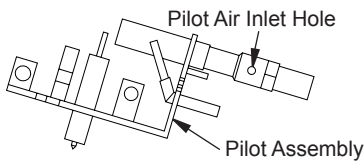


Figure 57 - Pilot Inlet Air Hole (Propane/LP Gas)

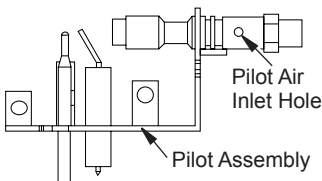


Figure 58 - Pilot Inlet Air Hole (Natural Gas)

LOG SET

- If you remove one-piece log set for cleaning, refer to page 21, for placement instructions.
- Replace log set if broken or chipped (dime-sized or larger).

CABINET

Air Passageways

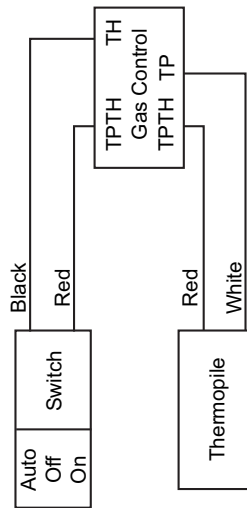
Use a vacuum cleaner or pressurized air to clean.

Exterior

Use a soft cloth dampened with a mild soap and water mixture. Wipe the cabinet to remove dust.


WIRING DIAGRAM

(Remote-Ready Models Only)



TROUBLESHOOTING

 **WARNING:** Turn off and unplug fireplace and let cool before servicing. Only a qualified service person should service and repair fireplace.

 **CAUTION:** Never use a wire, needle, or similar object to clean ODS/pilot. This can damage ODS/pilot unit.

Note: All troubleshooting items are listed in order of operation.

| OBSERVED PROBLEM | POSSIBLE CAUSE | REMEDY |
|---|--|--|
| When ignitor button is pressed, there is no spark at ODS/pilot | 1. Ignitor electrode not connected to ignitor cable | 1. Reconnect ignitor cable |
| | 2. Ignitor cable pinched or wet | 2. Free ignitor cable if pinched by any metal or tubing. Keep ignitor cable dry |
| | 3. Broken ignitor cable | 3. Replace ignitor cable |
| | 4. Bad piezo ignitor | 4. Replace piezo ignitor |
| | 5. Ignitor electrode positioned wrong | 5. Replace pilot assembly |
| | 6. Ignitor electrode broken | 6. Replace pilot assembly |
| When ignitor button is pressed, there is spark at ODS/pilot but no ignition | 1. Gas supply turned off or equipment shutoff valve closed | 1. Turn on gas supply or open equipment shutoff valve |
| | 2. Control knob not in PILOT position | 2. Turn control knob to PILOT position |
| | 3. Control knob not pressed in while in PILOT position | 3. Press in control knob while in PILOT position |
| | 4. Air in gas lines when installed | 4. Continue holding down control knob. Repeat igniting operation until air is removed |
| | 5. Depleted gas supply (propane/LP only) | 5. Contact local propane/LP gas company |
| | 6. ODS/pilot is clogged | 6. Clean ODS/pilot (see <i>Cleaning and Maintenance</i> , page 28) or replace ODS/pilot assembly |
| | 7. Gas regulator setting is not correct | 7. Replace gas regulator |

TROUBLESHOOTING

Continued

| OBSERVED PROBLEM | POSSIBLE CAUSE | REMEDY |
|---|---|---|
| ODS/pilot lights but flame goes out when control knob is released | 1. Control knob not fully pressed in | 1. Press in control knob fully |
| | 2. Control knob not pressed in long enough | 2. After ODS/pilot lights, keep control knob pressed in 30 seconds |
| | 3. Safety interlock system has been triggered | 3. Wait one minute for safety interlock system to reset. Repeat ignition operation |
| | 4. Equipment shutoff valve not fully open | 4. Fully open equipment shutoff valve |
| | 5. Pilot flame not touching thermocouple, which allows thermocouple to cool, causing pilot flame to go out. This problem could be caused by one or both of the following: A) Low gas pressure B) Dirty or partially clogged ODS/pilot | 5. A) Contact local natural or propane/LP gas company B) Clean ODS/pilot (see <i>Cleaning and Maintenance</i> , page 28) or replace ODS/pilot assembly |
| | 6. Thermocouple connection loose at control valve | 6. Hand tighten until snug, then tighten 1/4 turn more |
| | 7. Thermocouple damaged | 7. Replace pilot assembly |
| | 8. Control valve damaged | 8. Replace control valve |
| Burner does not light after ODS/pilot is lit | 1. Inlet gas pressure is too low | 1. Contact local natural or propane/LP gas company |
| | 2. Burner orifice is clogged | 2. Clean burner (see <i>Cleaning and Maintenance</i> , page 28) or replace burner orifice |
| | 3. Thermopile leads disconnected or improperly connected (Remote-Ready Models Only) | 3. Reconnect leads (see <i>Wiring Diagram</i> , page 29) |
| | 4. Burners will not come on in remote position (Remote-Ready Models Only) | 4. Replace battery in transmitter and receiver |
| Delayed ignition of burner | 1. Manifold pressure is too low | 1. Contact local natural or propane/LP gas company |
| | 2. Burner orifice is clogged | 2. Clean burner (see <i>Cleaning and Maintenance</i> , page 28) or replace burner orifice |
| Burner backfiring during combustion | 1. Burner orifice is clogged or damaged | 1. Clean burner (see <i>Cleaning and Maintenance</i> , page 28) or replace burner orifice |
| | 2. Damaged burner | 2. Replace damaged burner |
| | 3. Gas regulator defective | 3. Replace gas regulator |
| | 4. Inlet gas pressure is too low | 4. Contact local natural or propane/LP gas company |

TROUBLESHOOTING

Continued

| OBSERVED PROBLEM | POSSIBLE CAUSE | REMEDY |
|--|--|---|
| Slight smoke or odor during initial operation | <ol style="list-style-type: none">1. Residues from manufacturing processes and log curing2. Not enough air3. Gas regulator defective | <ol style="list-style-type: none">1. Problem will stop after a few hours of operation2. Check burner for dirt and debris. If found, clean burner (see <i>Cleaning and Maintenance</i>, page 28)3. Replace gas regulator |
| Fireplace produces a whistling noise when burner is lit | <ol style="list-style-type: none">1. Turning control knob to HI position when burner is cold2. Air in gas line3. Air passageways on fireplace blocked4. Dirty or partially clogged burner orifice | <ol style="list-style-type: none">1. Turn control knob to LO position and let warm up for a minute2. Operate burner until air is removed from line. Have gas line checked by local natural gas company3. Observe minimum installation clearances (see pages 10 through 12)4. Clean burner (see <i>Cleaning and Maintenance</i>, page 28) or replace burner orifice |
| White powder residue forming within burner box or on adjacent walls or furniture | <ol style="list-style-type: none">1. When heated, vapors from furniture polish, wax, carpet cleaners, etc. may turn into white powder residue | <ol style="list-style-type: none">1. Turn fireplace off when using furniture polish, wax, carpet cleaners, or similar products |
| Moisture/condensation noticed on windows | <ol style="list-style-type: none">1. Not enough combustion/ventilation air | <ol style="list-style-type: none">1. Refer to <i>Air for Combustion and Ventilation</i> requirements (page 6) |
| Remote does not function (Remote-Ready Models Only) | <ol style="list-style-type: none">1. Battery is not install. Battery power is low | <ol style="list-style-type: none">1. Replace 9-volt batteries in receiver and remote control |
| Fireplace produces a clicking/ticking noise just after burners are lit or shut off | <ol style="list-style-type: none">1. Metal expanding while heating or contracting while cooling | <ol style="list-style-type: none">1. This is common with most fireplaces. If noise is excessive, contact qualified service person |

TROUBLESHOOTING

Continued



WARNING: If you smell gas

- Shut off gas supply.
- Do not try to light any appliance.
- Do not touch any electrical switch; do not use any phone in your building.
- Immediately call your gas supplier from a neighbor's phone. Follow the gas supplier's instructions.
- If you cannot reach your gas supplier, call the fire department.

IMPORTANT: Operating fireplace where impurities in air exist may create odors. Cleaning supplies, paint, paint remover, cigarette smoke, cements and glues, new carpet or textiles, etc., create fumes. These fumes may mix with combustion air and create odors. These odors will disappear over time.

| OBSERVED PROBLEM | POSSIBLE CAUSE | REMEDY |
|--|---|--|
| Fireplace produces unwanted odors | <ol style="list-style-type: none">1. Fireplace burning vapors from paint, hair spray, glues, cleaners, chemicals, new carpet, etc. (See <i>IMPORTANT</i> statement above)2. Low fuel supply (propane/LP only)3. Gas leak. See Warning statement at top of page | <ol style="list-style-type: none">1. Open window to ventilate room. Stop using odor causing products while fireplace is running2. Refill supply tank (propane/LP only)3. Locate and correct all leaks (see <i>Checking Gas Connections</i>, page 17) |
| Fireplace shuts off in use (ODS operates) | <ol style="list-style-type: none">1. Not enough fresh air is available2. Low line pressure3. ODS/pilot is partially clogged | <ol style="list-style-type: none">1. Open window and/or door for ventilation2. Contact local natural or propane/LP gas company3. Clean ODS/pilot (see <i>Cleaning and Maintenance</i>, page 28) |
| Gas odor even when control knob is in OFF position | <ol style="list-style-type: none">1. Gas leak. See Warning statement at top of page2. Control valve defective | <ol style="list-style-type: none">1. Locate and correct all leaks (see <i>Checking Gas Connections</i>, page 17)2. Replace control valve |
| Gas odor during combustion | <ol style="list-style-type: none">1. Foreign matter between control valve and burner2. Gas leak. See Warning statement at top of page | <ol style="list-style-type: none">1. Take apart gas tubing and remove foreign matter2. Locate and correct all leaks (see <i>Checking Gas Connections</i>, page 17) |

SPECIFICATIONS

THERMOSTAT MODELS:

CDCFTPA, VDCFTP, FDCFTP

- Rating: 17,000/26,000 Btu/Hr
- Gas Type: Propane/LP Gas Only
- Ignition: Piezo
- Manifold Pressure: 8" W.C.
- Inlet Gas Pressure (in. of water):
Maximum - 14", Minimum* - 11"
- Dimensions (H x W x D) (including hood and screws): 25 7/8" x 26 13/16" x 15 5/16"

* For purpose of input adjustment

CDCFTNA, VDCFTN, FDCFTN

- Rating: 17,000/26,000 Btu/Hr
- Gas Type: Natural Gas Only
- Ignition: Piezo
- Manifold Pressure: 3.5" W.C.
- Inlet Gas Pressure (in. of water):
Maximum - 10.5", Minimum* - 5"
- Dimensions (H x W x D) (including hood and screws): 25 7/8" x 26 13/16" x 15 5/16"

* For purpose of input adjustment

REMOTE-READY MODELS:

VDCFRP, FDCFRP, CDCFPR

- Rating: 17,000/26,000 Btu/Hr
- Gas Type: Propane/LP Gas Only
- Ignition: Piezo
- Manifold Pressure: 8" W.C.
- Inlet Gas Pressure (in. of water):
Maximum - 14", Minimum* - 11"
- Dimensions (H x W x D) (including hood and screws): 25 7/8" x 26 13/16" x 15 5/16"

* For purpose of input adjustment

VDCFRN, FDCFRN, CDCFNR

- Rating: 17,000/26,000 Btu/Hr
- Gas Type: Natural Gas Only
- Ignition: Piezo
- Manifold Pressure: 3.5" W.C.
- Inlet Gas Pressure (in. of water):
Maximum - 10.5", Minimum* - 5"
- Dimensions (H x W x D) (including hood and screws): 25 7/8" x 26 13/16" x 15 5/16"

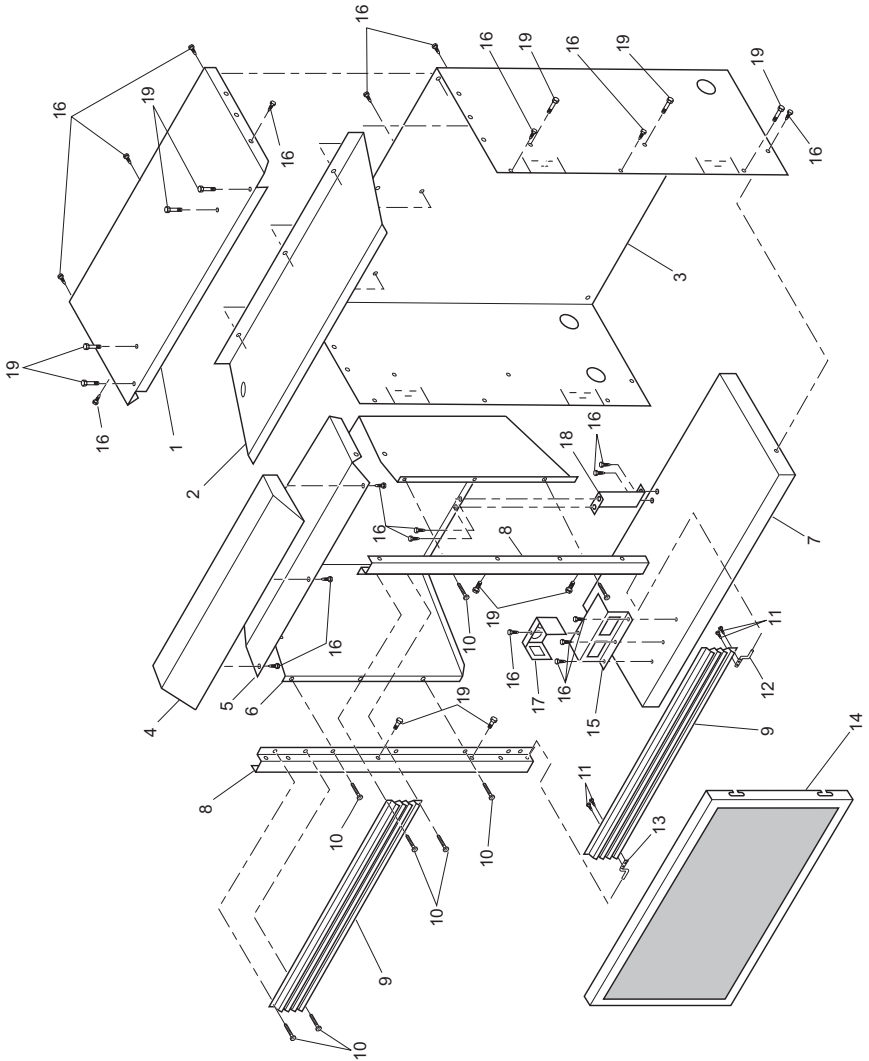
* For purpose of input adjustment

ILLUSTRATED PARTS BREAKDOWN

FIREBOX MODELS

CDCFTNA, CDCFTP, VDCFTN, VDCFTP, FDCFTN, FDCFTP

VDCFRN, VDCFRP, FDCFRN AND FDCFRP



PARTS LIST

FIREBOX MODELS

**CDCFTNA, CDCFTP, VDCFTN, VDCFTP, FDCFTN, FDCFTP
VDCFRN, VDCFRP, FDCFRN AND FDCFRP**

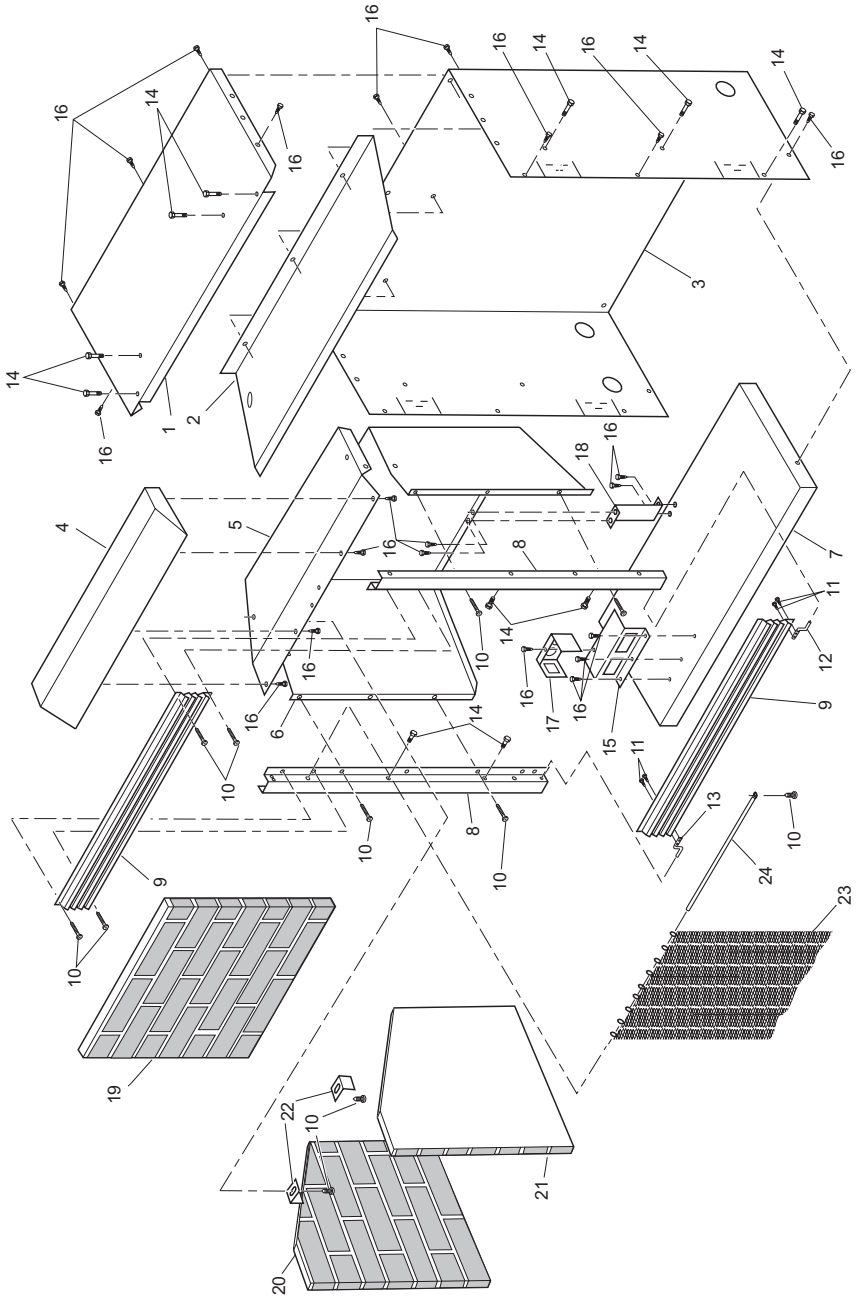
This list contains replaceable parts used in your fireplace. When ordering parts, follow the instructions listed under *Replacement Parts* on page 35 of this manual.

| KEY NO. | PART NO. | DESCRIPTION | | | | QTY. |
|------------|-------------|---------------------------------|-------------|-------------|-------------|------|
| | | | FDCF Models | VDCF Models | CDCF Models | |
| 1 | ** | Outer Casing Top | • | • | • | 1 |
| 2 | ** | Baffle | • | • | • | 1 |
| 3 | ** | Outer Casing | • | • | • | 1 |
| 4 | 104281-02BR | Firebox Hood | • | • | • | 1 |
| 5 | ** | Firebox Top | • | • | • | 1 |
| 6 | ** | Firebox Wrapper | • | • | • | 1 |
| 7 | 110339-01CK | Outer Base | • | • | • | 1 |
| 8 | 102635-02 | Front Left and Right Sides | • | • | • | 2 |
| 9 | 103209-01 | Extruded Louver | • | • | | 2 |
| | 103209-05 | Extruded Louver | | | • | 2 |
| 10 | 098304-01 | Screw, PPH AB 10-16 x 0.38 | • | • | • | 8 |
| 11 | M10908-2 | Screw, SLTD HWH TPG 6-32 x 0.38 | • | • | • | 4 |
| 12 | 104313-01 | Right Pin Hinge | • | • | • | 1 |
| 13 | 104313-02 | Left Pin Hinge | • | • | • | 1 |
| 14 | 113160-02 | Screen Frame | • | • | | 1 |
| | 113160-01 | Screen Frame | | | • | 1 |
| 15 | 111038-02 | Remote/Blower Bracket | • | • | • | 1 |
| 16 | M11084-26 | Screw, HEH AB 10-16 x 0.38 | • | • | • | 35 |
| 17 | 111633-01 | Box Cover | • | • | • | 1 |
| 18 | 111200-01 | Support Bracket | • | • | • | 1 |
| 19 | 099230-02 | Screw, HWH SHLDR AB 10 x 0.63 | • | • | • | 14 |

** Part not available for field replacement.

ILLUSTRATED PARTS BREAKDOWN

FIREBOX MODELS
CDCFNR AND CDCFPR



PARTS LIST

FIREBOX MODELS CDCFNR AND CDCFPR

This list contains replaceable parts used in your fireplace. When ordering parts, follow the instructions listed under *Replacement Parts* on page 35 of this manual.

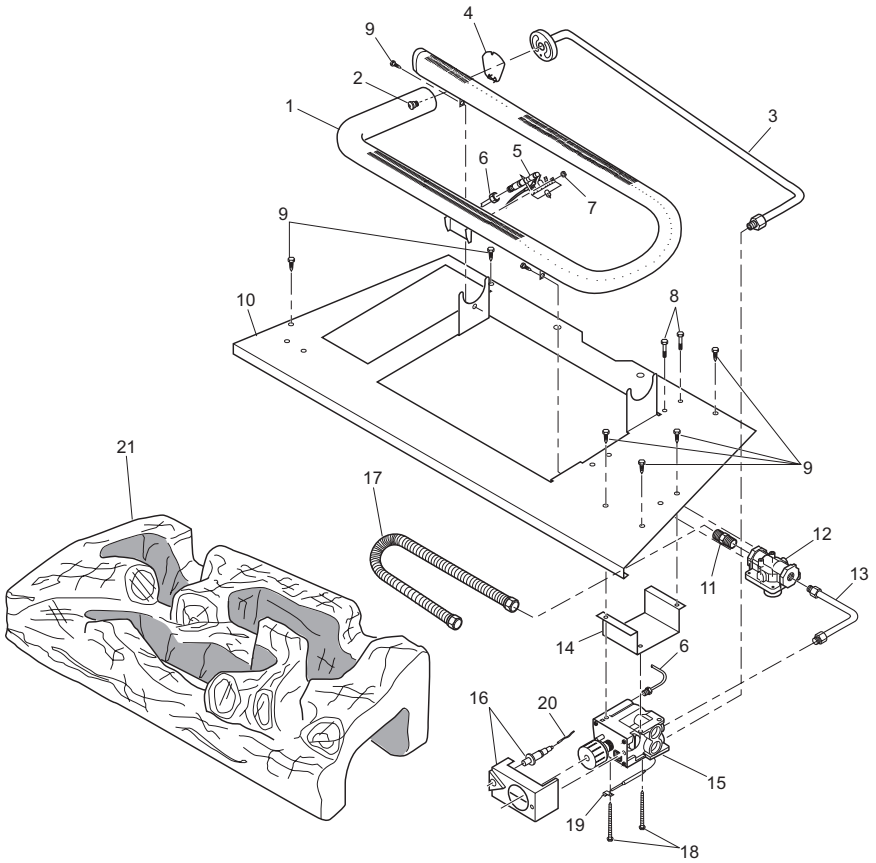
| KEY NO. | PART NO. | DESCRIPTION | QTY. |
|---------|-------------|---------------------------------|------|
| 1 | ** | Outer Casing Top | 1 |
| 2 | ** | Baffle | 1 |
| 3 | ** | Outer Casing | 1 |
| 4 | 104281-02BR | Firebox Hood | 1 |
| 5 | ** | Firebox Top | 1 |
| 6 | ** | Firebox Wrapper | 1 |
| 7 | 110339-01CK | Outer Base | 1 |
| 8 | 102635-02 | Front Left and Right Sides | 2 |
| 9 | 103209-05 | Extruded Louver | 2 |
| 10 | 098304-01 | Screw, PPH AB 10-16 x 0.38 | 12 |
| 11 | M10908-2 | Screw, SLTD HWH TPG 6-32 x 0.38 | 4 |
| 12 | 104313-01 | Right Pin Hinge | 1 |
| 13 | 104313-02 | Left Pin Hinge | 1 |
| 14 | 099230-02 | Screw, HWH SHLDR AB 10 x 0.63 | 14 |
| 15 | 111038-02 | Remote/Blower Bracket | 1 |
| 16 | M11084-26 | Screw, HEH AB 10-16 x 0.38 | 35 |
| 17 | 111633-01 | Box Cover | 1 |
| 18 | 111200-01 | Support Bracket | 1 |
| 19 | 113739-01 | Rear Brick Liner | 1 |
| 20 | 113738-01 | Left Brick Liner | 1 |
| 21 | 113737-01 | Right Brick Liner | 1 |
| 22 | 114408-01 | Retainer | 2 |
| 23 | 105440-01 | Screen Assembly | 1 |
| 24 | 103452-03 | Screen Rod | 2 |

** Not a field replaceable part

ILLUSTRATED PARTS BREAKDOWN

THERMOSTAT MODELS

FDCFTP, FDCFTN, VDCFTP, VDCFTN, CDCFTP AND CDCFTNA



PARTS LIST

THERMOSTAT MODELS

This list contains replaceable parts used in your fireplace. When ordering parts, follow the instructions listed under *Replacement Parts* on page 35 of this manual.

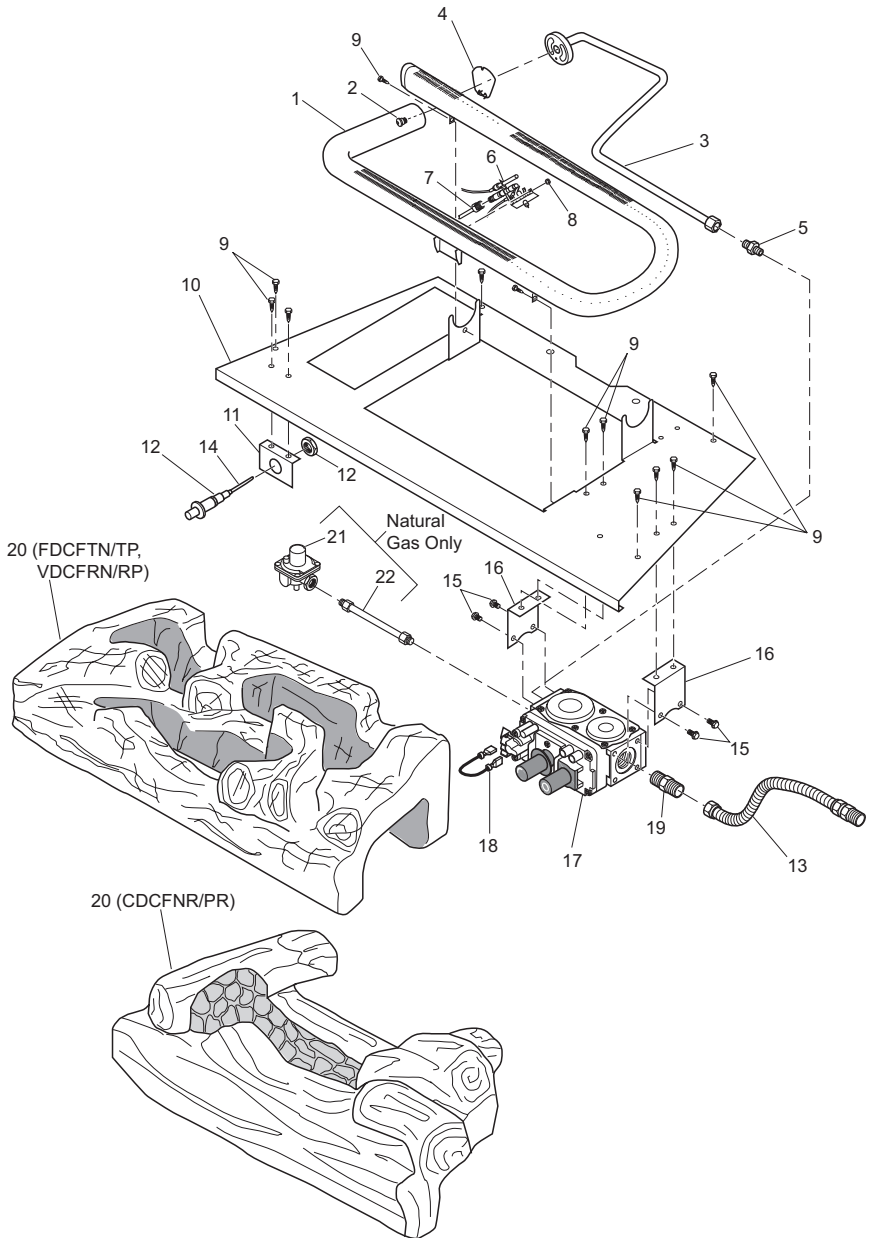
| KEY NO. | PART NO. | DESCRIPTION | | | | | QTY. |
|------------------------------------|-----------|-----------------------------|---------------|----------------|---------|---------|------|
| | | | FDCFTP/VDCFTP | FDCFTN, VDCFTN | CDCFTPA | CDCFTNA | |
| 1 | 111069-01 | Dual Burner | • | • | • | • | 1 |
| 2 | 099056-29 | Injector, LP | • | • | • | • | 1 |
| | 099056-34 | Injector, NG | • | • | • | • | 1 |
| 3 | 104424-04 | Outlet Tube | • | • | • | • | 1 |
| 4 | 111124-01 | Burner Retainer Spring | • | • | • | • | 1 |
| 5 | 107486-01 | ODS Pilot, LP | • | • | • | • | 1 |
| | 107485-01 | ODS Pilot, NG | • | • | • | • | 1 |
| 6 | 099387-09 | Pilot Tube | • | • | • | • | 1 |
| 7 | 098249-01 | ODS Nut | • | • | • | • | 2 |
| 8 | M11084-38 | Screw, HWH AB 8-18 x 0.38 | • | • | • | • | 2 |
| 9 | M11084-26 | Screw, HWH AB 10-16 x 0.38 | • | • | • | • | 10 |
| 10 | ** | Chamber Floor | • | • | • | • | 1 |
| 11 | 097809-02 | Male Fitting | • | • | • | • | 1 |
| 12 | 098867-10 | Gas Regulator, LP | • | • | • | • | 1 |
| | 098867-14 | Gas Regulator, NG | • | • | • | • | 1 |
| 13 | 108628-02 | Inlet Tube | • | • | • | • | 1 |
| 14 | 102394-02 | Control Bracket | • | • | • | • | 1 |
| 15 | 098522-13 | Thermostat Gas Valve, LP | • | • | • | • | 1 |
| | 098522-12 | Thermostat Gas Valve, NG | • | • | • | • | 1 |
| 16 | 101381-01 | Valve Cover with Piezo | • | • | • | • | 1 |
| 17 | 101628-03 | Flexible Connector | • | • | • | • | 1 |
| 18 | 099211-01 | Screw, HWH AB 10-16 x 2.50 | • | • | • | • | 2 |
| 19 | 098544-01 | Thermobulb Clip | • | • | • | • | 1 |
| 20 | 098271-10 | Ignition Cable | • | • | • | • | 1 |
| 21 | 111138-01 | Log Set | • | • | • | • | 1 |
| | 113342-01 | Log Set | • | • | • | • | 1 |
| PARTS AVAILABLE - NOT SHOWN | | | | | | | |
| | 901056-01 | Brass Flare Adapter Fitting | • | • | • | • | 1 |
| | 103470-01 | Hardware Pack | • | • | • | • | 1 |
| | 100563-01 | Warning Plate | • | • | • | • | 1 |
| | 101054-01 | Lighting Instruction Plate | • | • | • | • | 1 |

** Not a field replaceable part

ILLUSTRATED PARTS BREAKDOWN

REMOTE-READY MODELS

FDCFRN, FDCFRP, VDCFRN, VDCFRP, CDCFNR AND CDCFPR



PARTS LIST

REMOTE-READY MODELS

This list contains replaceable parts used in your fireplace. When ordering parts, follow the instructions listed under *Replacement Parts* on page 35 of this manual.

| KEY NO. | PART NO. | DESCRIPTION | | | | | QTY. |
|------------------------------------|-----------|------------------------------------|----------------|--------|---------------|--------|------|
| | | | FDCFRP, VDCFRP | CDCFRP | FDCFRN/VDCFRN | CDCFRN | |
| 1 | 111069-01 | Dual Burner | • | • | • | • | 1 |
| 2 | 099056-29 | Injector, LP | • | • | | | 1 |
| | 099056-34 | Injector, NG | | | • | • | 1 |
| 3 | 103342-04 | Outlet Tube | • | • | | | 1 |
| | 111195-07 | Outlet Tube | | | • | • | 1 |
| 4 | 111124-01 | Burner Retainer Spring | • | • | • | • | 1 |
| 5 | 097809-02 | Male Fitting | • | • | • | • | 1 |
| 6 | 103778-01 | ODS Pilot, LP | • | • | | | 1 |
| | 103779-01 | ODS Pilot, NG | | | • | • | 1 |
| 7 | 099387-09 | Pilot Tube, LP | • | • | | | 1 |
| | 099387-12 | Pilot Tube, NG | | | • | • | 1 |
| 8 | 098249-01 | ODS Nut | • | • | • | • | 2 |
| | M11084-26 | Screw, HWH AB 10-16 x 0.38 | • | • | • | • | 10 |
| 10 | ** | Chamber Floor | • | • | • | • | 1 |
| 11 | 110793-01 | Piezo Bracket | • | • | • | • | 1 |
| 12 | 102445-01 | Piezo Ignitor with Palnut Fastener | • | • | • | • | 1 |
| 13 | 101628-01 | Flexible Connector | • | • | • | • | 1 |
| 14 | 098271-10 | Ignitor Cable | • | • | • | • | 1 |
| 15 | M12461-26 | Screw, MX SLT WSR 10-32 x 3/8 | • | • | • | • | 4 |
| 16 | 111173-01 | Remote Valve Bracket | • | • | • | • | 2 |
| 17 | 103781-02 | Gas Valve, LP | • | • | | | 1 |
| | 103781-01 | Gas Valve, NG | | | • | • | 1 |
| 18 | 101480-12 | ASM High Temp Wire | • | • | • | • | 1 |
| 19 | 097809-02 | Male Fitting | • | • | • | • | 1 |
| 20 | 111138-01 | Log Set | • | | • | | 1 |
| | 113342-01 | Log Set | | • | | • | 1 |
| 21 | 099918-02 | Pilot Regulator | | | • | • | 1 |
| 22 | 099387-14 | Pilot Tube | | | • | • | 1 |
| PARTS AVAILABLE - NOT SHOWN | | | | | | | |
| | 901056-01 | Brass Flare Adapter Fitting | • | • | • | • | 1 |
| | 103470-01 | Hardware Pack | • | • | • | • | 1 |
| | 100563-01 | Warning Plate | • | • | • | • | 1 |
| | 103887-01 | Lighting Instruction Plate | • | • | • | • | 1 |

** Not a field replaceable part

DESA[™]
HEATING PRODUCTS

2701 Industrial Drive
P.O. Box 90004
Bowling Green, KY 42102-9004
www.desatech.com



111244 01

NOT A UPC

111244-01
Rev. G
01/06