

Comfort Glow®

Instructions For Installing GA3450T Thermostat Blower Accessory

GA3450T for use on CGCF26T Series Compact Fireplace

Carton Contents

<u>Description</u>	<u>Part Number</u>
Bracket	103966-01
Thermodisc	103972-01
Blower	103283-01
Wire Harness	103968-01
Power Cord	104015-01
AUTO/OFF/ON switch	099998-01
Mounting Hardware kit	098418-08

Hardware kit contains

- 2 Plastic snap bushings
- 6 #10 screws
- 1 Plug button

If any of these pieces are missing or damaged, contact the dealer where you purchased this kit or DESA International at 1-800-972-7879 for referral information.

WARNING

Fan accessory must be grounded. Fan comes with a three-prong, grounding plug as shown in Figure 1. The plug is your protection against electrical shock. Plug it into a standard, three-hole, grounded, outlet. If cord needs replacing, use only a cord with a three-prong, grounding plug.

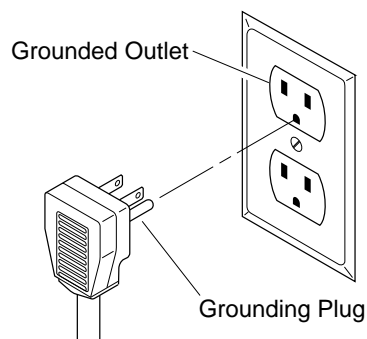


Figure 1 - Grounding Plug

NOTICE

Cord length from switch plate assembly to plug is six feet. Make sure grounded outlet is an appropriate distance from unit.

WARNING

Failure to connect all wires as indicated may cause electrical shock or personal injury.

Removing Upper Louver Assembly

To install the blower accessory, you must first remove the upper louver assembly.

CGCF26T Series

1. Lift screen off heater.
2. Remove 2 screws from louver assembly (see Figure 2). Save these screws.
3. Pull louver assembly straight out from the cabinet. Be careful not to scratch the paint. Set louver assembly and screws aside.

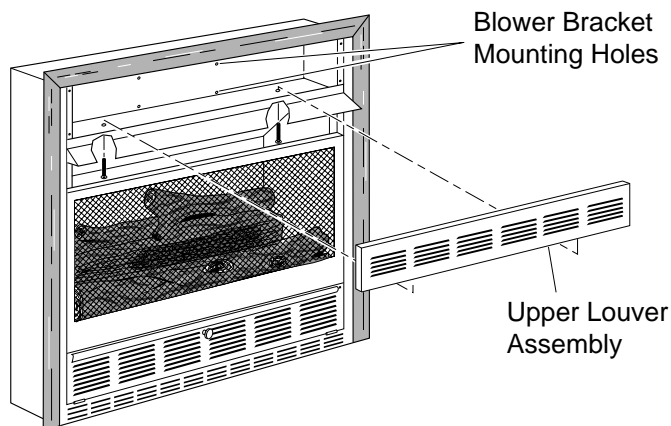


Figure 2 - Removing Upper Louver Assembly

Continued

Standard Installation

Removing Valve Cover Shield

1. Open bottom louver assembly by swinging the assembly down (see Figure 3).
2. Using short Phillips screwdriver, remove the screw under the center of the branch support. Rotate valve cover shield clockwise and slide out. **IMPORTANT** : Do not remove shoulder screw on the left side of valve cover shield. Slide the valve cover shield off of the shoulder screw (see Figure 3).

Note: If you do not have a short Phillips screwdriver, the screen, twigs, and branch support must be removed so a longer screwdriver may be used. Follow directions in the owner's manual for screen and twig removal/installation. Branch support may be removed by removing 2 screws on each side of the support.

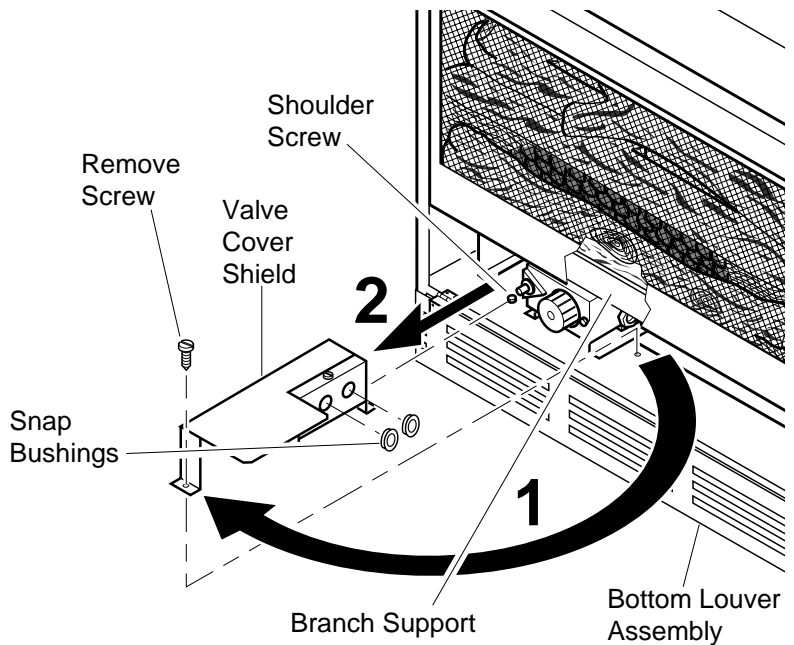


Figure 3 - Removing Valve Cover Shield

Installing Blower Assembly

Note: If you are using a mantel with your heater, use the following instructions. If your heater is built-in, see *For Built-In Installation* on page 3.

1. Install snap bushings found in hardware kit into both holes in rear of valve cover shield.
2. Make sure the wire harness is firmly connected to the terminals on the blower bracket assembly.
3. Note the wire locations on back of AUTO/OFF/ON switch. The terminals on back of switch are numbered 1, 2, and 3. Carefully remove red wire from terminal 1 and blue wire from terminal 3. Black wire can remain on middle terminal 2 (see figure 4).
4. Carefully disconnect green and white wires at their insulated connectors.
5. In top of the heater cabinet, locate the four mounting holes on the outer casing. Align these four holes with those on the blower bracket assembly. Attach blower bracket assembly to the outer casing with 4 #10 screws provided (see Figure 4).
6. Route the wire harness through the hole in left side of baffle. Pull wire harness through lower opening above where the valve shield was removed. (see Figure 4).
7. Insert the 4 wire harness into one of the round holes in the rear of the valve cover shield and through the rectangular hole in the front of shield (see figure 4).
8. Reconnect red wire to switch position 3. Reconnect blue wire to switch position 1. Reconnect green and white wires.

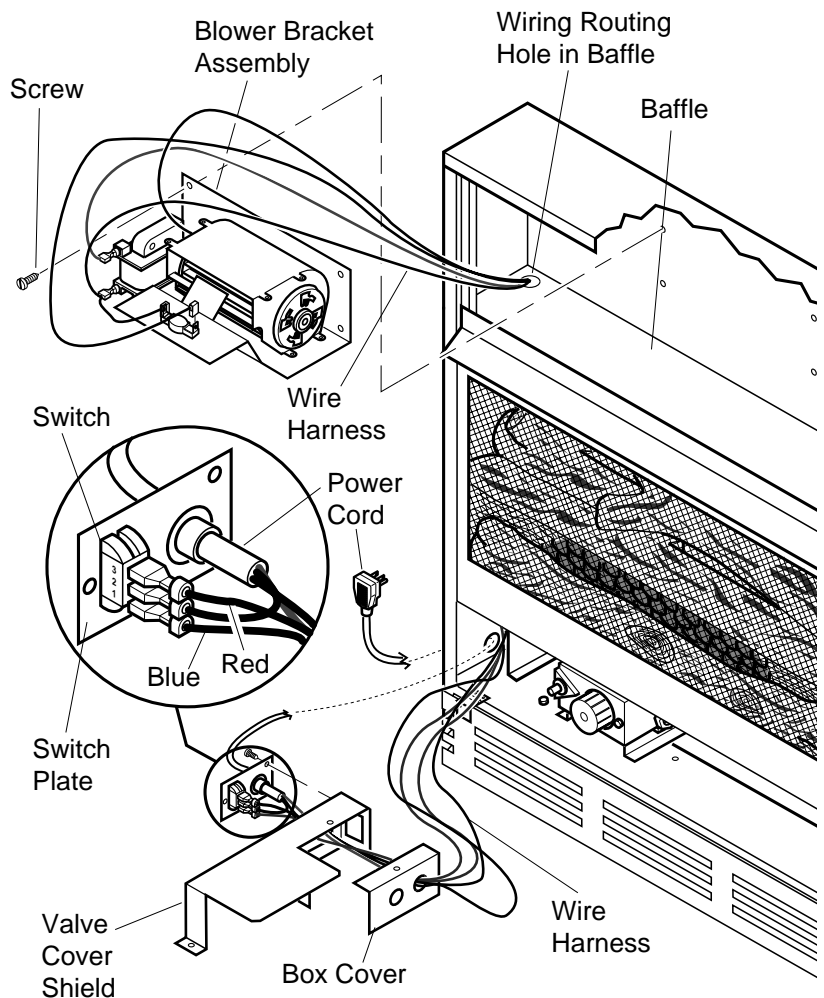


Figure 4 - Installing Blower Bracket Assembly

9. Install the switch plate on the valve cover shield with 2 #10 screws provided (see Figure 5, page 3). Reinstall the valve cover shield. Route power cord out of the cabinet by inserting it through the bushing on the outer casing (see Figure 4). Plug fan kit into 120-Volt grounded power supply and test operation. *Note:* When switch is in the AUTO position, the fan will start after the heater has run for a few moments. The fan will continue to run for several moments after the heater has been turned off. When switch is in the ON position, the fan will run until turned to OFF. Reinstall upper louver assembly (see Figure 1, page 1) and close lower louver door.

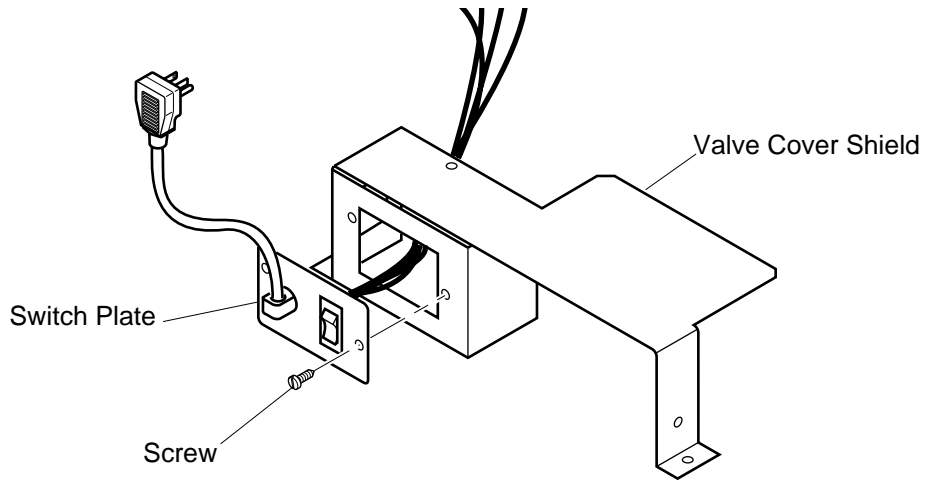


Figure 5 - Installing Switch Plate to Valve Cover Shield

For Built-In Installation

⚠ WARNING

A licensed electrician must connect the wiring harness to electrical supply following all local codes. Electrician must provide a clamp on the box cover to secure the wiring. Wiring should be routed through the bushing in the hole on the outer casing of heater.

Follow instructions *Removing Valve Cover Shield* (page 2), then

1. Install a snap bushing found in hardware kit into one of the holes found rear of valve cover shield. The other hole is for a strain relief clamp (not supplied) to secure incoming electrical supply.
2. Follow steps 2 through 6 in *Installing Blower Assembly*, page 2. Also remove black wire from middle switch terminal 2.
3. Remove black plastic strain relief and power cord from switch plate. The power cord supplied will not be used in built-in installations. Pop in the plastic snap bushing found in hardware kit into the hole left by supply cord/strain relief.
4. A licensed electrician must follow the wiring diagram on page 4 to connect incoming electrical supply to fan kit wiring harness.
5. Reinstall valve cover shield.
6. Test to make sure the blower is working properly.
7. Reinstall upper louver assembly (see Figure 1, page 1) and close lower louver.

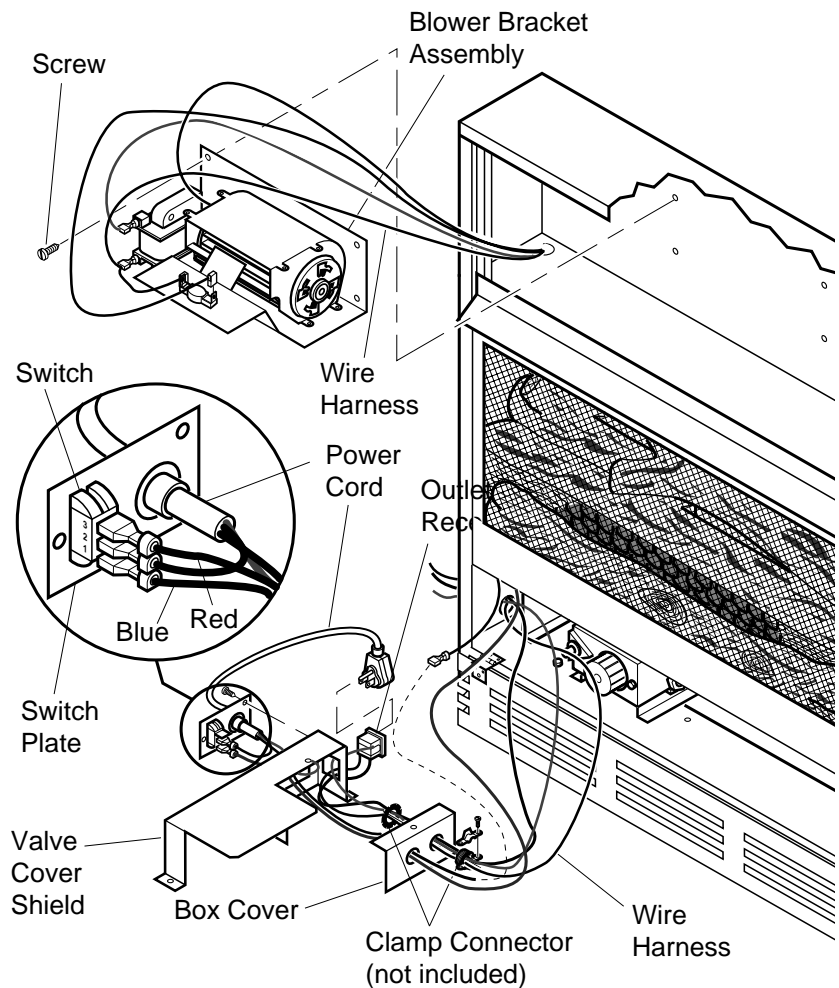


Figure 6 - Installing Blower Bracket Assembly

Extension Cord

Use extension cord if needed. The cord must have a three-prong, grounding plug and a three-hole receptacle. Make sure cord is in good shape. It must be heavy enough to carry the current needed. An undersized cord will cause a drop in line voltage. This will result in loss of power and overheating. Use a No. 16 AWG cord for lengths less than 50 feet.

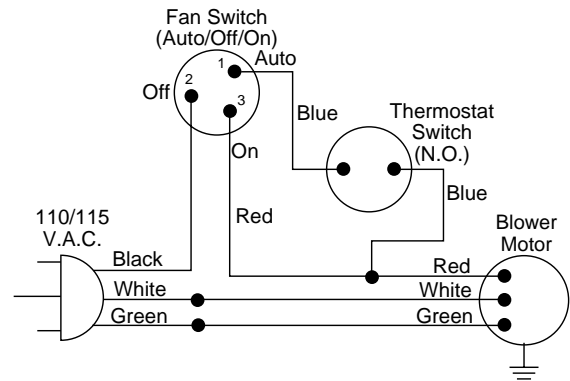


Figure 7 - Wiring Diagram For Fan Accessory Standard Installation

Operating Fan

This blower has three settings: ON, OFF, and AUTO. In the ON position, the blower will operate constantly. In the OFF position, the blower will not operate. In the AUTO position, the blower will start when the thermostat senses a sufficient increase in firebox temperature.

Note: Your fireplace and thermostat blower will not turn on and off at the same time. The fireplace may run for several minutes before the blower turns on. After the heater modulates to the pilot position, the blower will continue to run. The blower will shut off after the firebox temperature decreases.

Note: It is safe to operate fireplace with blower turned off. However, the blower helps distribute heated air from the fireplace.

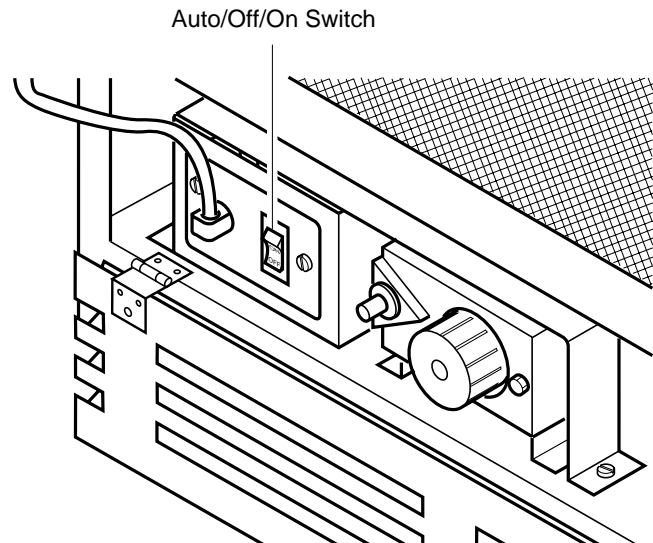


Figure 8 - Auto/Off/On Switch

DESA INTERNATIONAL

2701 Industrial Drive
P.O. Box 90004
Bowling Green, KY 42102-9004
Technical Service Department 1-800-323-5190
Parts Department 1-800-972-7879