

DESA INTERNATIONAL

GA3400T / GA3450T

Thermostat Blower Accessory

For use on Fireplace models VMH26 Series, VMH10 Series, CGCF Series, CF26 Series, and FMH26 Series. See the owner's manual supplied with your Fireplace for specific installation instructions.

Carton Contents

Description	Part Number
Bracket	103966-01
Thermodisc	103972-01
Blower	103283-01
Wire Harness	103968-01
Power Cord	104015-01
AUTO/OFF/ON switch	099998-01
Mounting Hardware kit	098418-08

Hardware kit contains

- 2 Plastic snap bushings
- 6 #10 screws
- 1 Plug button

If any of these pieces are missing or damaged, contact the dealer where you purchased this kit or DESA International at 1-800-972-7879 for referral information.

WARNING: Fan accessory must be grounded. Fan comes with a three-prong, grounding plug as shown in Figure 1. The plug is your protection against electrical shock. Plug it into a standard, three-hole, grounded, outlet. If cord needs replacing, use only a cord with a three-prong, grounding plug.

NOTICE: Cord length from switch plate assembly to plug is six feet. Make sure grounded outlet is an appropriate distance from unit.

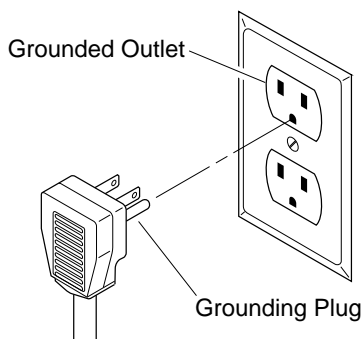


Figure 1 - Grounding Plug

WARNING: Failure to connect all wires as indicated may cause electrical shock or personal injury.

REMOVING UPPER LOUVER ASSEMBLY (For all models except CF26 Series)

To install the blower accessory, you must first remove the upper louver assembly, hood, and branch support.

1. Lift screen off heater and remove log set.
2. If you have extruded louvers, remove 4 screws from louver assembly (see Figure 2). If you have sheet metal louver, remove 2 screws from louver assembly and 4 screws from hood (if installed) (see Figure 3). Save these screws.
3. Pull louver assembly straight out from the cabinet. Be careful not to scratch the paint. Set louver assembly, hood and screws aside.
4. Remove 2 screws from each side of branch support and pull branch support out (see Figure 2).

Blower Bracket Mounting Holes

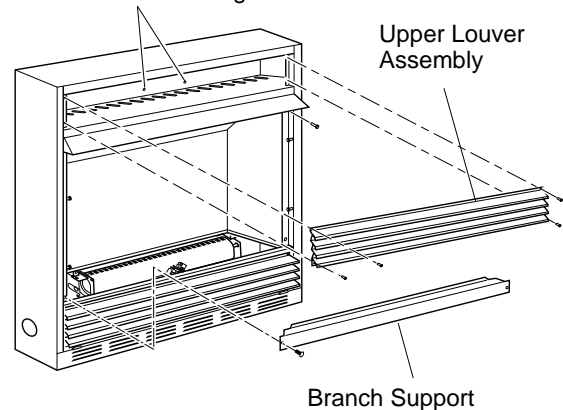


Figure 2 - Removing Upper Extruded Louver Assembly and Branch Support

Blower Bracket Mounting Holes

Upper Louver Assembly

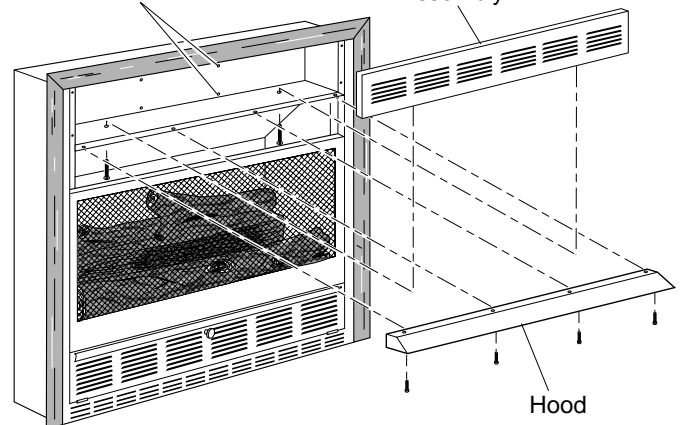


Figure 3 - Removing Hood and Upper Sheet Metal Louver Assembly

Installing Blower Assembly

CAUTION: Label all wires prior to disconnection when servicing controls. Wiring errors can cause improper and dangerous operation.

CAUTION: Verify proper operation after servicing.

Note: If you are using a mantel with your heater, use the following instructions. If your heater is built-in, see *For Built-In Installation* on page 3.

1. Install snap bushings found in hardware kit into both holes in rear of valve cover shield.
2. Make sure the wire harness is firmly connected to the terminals on the blower bracket assembly.
3. Note the wire locations on back of AUTO/OFF/ON switch. The terminals on back of switch are numbered 1, 2, and 3. Carefully remove red wire from terminal 3 and blue wire from terminal 1. Black wire can remain on middle terminal 2 (see Figure 4).
4. Carefully disconnect green and white wires at their insulated connectors.
5. In top of the heater cabinet, locate the four mounting holes on the outer casing. Align these four holes with those on the blower bracket assembly. Attach blower bracket assembly to the outer casing with 4 #10 screws provided (see Figure 4).
6. Route the wire harness through the hole in left side of baffle. Pull wire harness through lower opening on the side of the valve shield. (see Figure 4).
7. Insert the 4 wire harness into one of the round holes in the rear of the valve cover shield and through the rectangular hole in the front of shield (see Figure 4).
8. Reconnect red wire to switch position 3. Reconnect blue wire to switch position 1. Reconnect green and white wires.
9. Install the switch plate on the valve cover shield with 2 #10 screws provided (see Figure 5). Route power cord out of the cabinet by inserting it through the bushing on the outer casing (see Figure 4). Plug fan kit into 120-Volt grounded power supply and test operation. **Note:** When switch is in the AUTO position, the fan will start after the heater has run for a few moments. The fan will continue to run for several moments after the heater has been turned off. When switch is in the ON position, the fan will run until turned to OFF.
10. Reinstall upper louver assembly (see Figure 2 or 3, page 1) and branch support. Close lower louver door.
11. Carefully reinstall log set per instructions in your fireplace owner's manual. Reinstall screen before relighting fireplace.

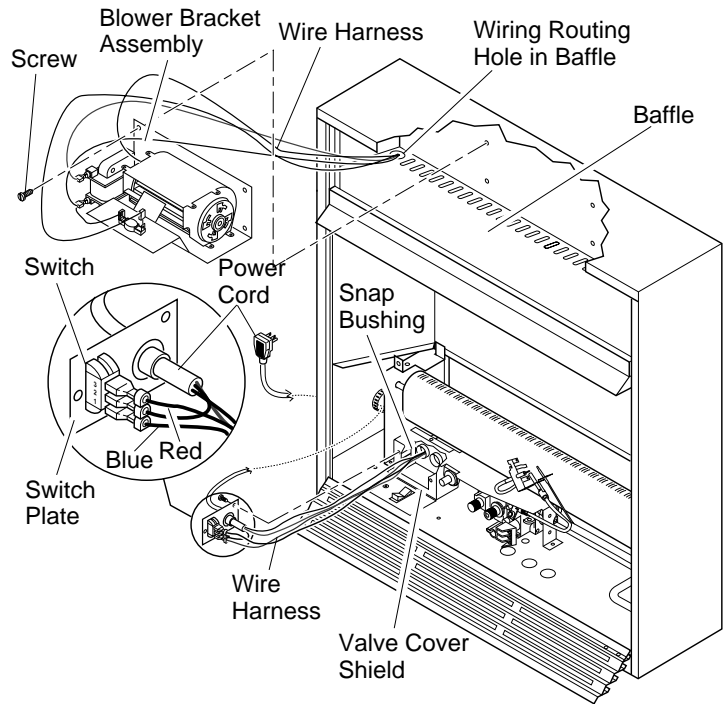


Figure 4 - Installing Blower Bracket Assembly

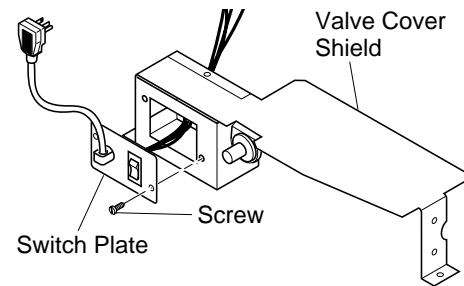


Figure 5 - Installing Switch Plate to Valve Cover Shield

For Built-In Installation

⚠ WARNING: A licensed electrician must connect the wiring harness to electrical supply following all local codes. Electrician must provide a clamp on the box cover to secure the wiring. Wiring should be routed through the bushing in the hole on the outer casing of heater.

1. Install a snap bushing found in hardware kit into one of the holes found rear of valve cover shield. The other hole is for a strain relief clamp (not supplied) to secure incoming electrical supply.
2. Follow steps 2 through 6 in *Installing Blower Assembly*, page 2.
3. A licensed electrician must follow the wiring diagram to connect incoming electrical supply to fan kit wiring harness.
4. Plug power cord to the outlet receptacle (not provided) as shown in Figure 6. Wind the extra cable in power cord and tie it up with the plastic wire strap (see Figure 6). Set the cable bundle between the burner bracket and outer casing, away from the burner.
5. Test to make sure the blower is working properly.
6. Reinstall upper louver assembly (see Figure 2 or 3, page 1) and close lower louver.
7. Carefully reinstall log set per instructions in your fireplace owner's manual. Reinstall screen before relighting fireplace.

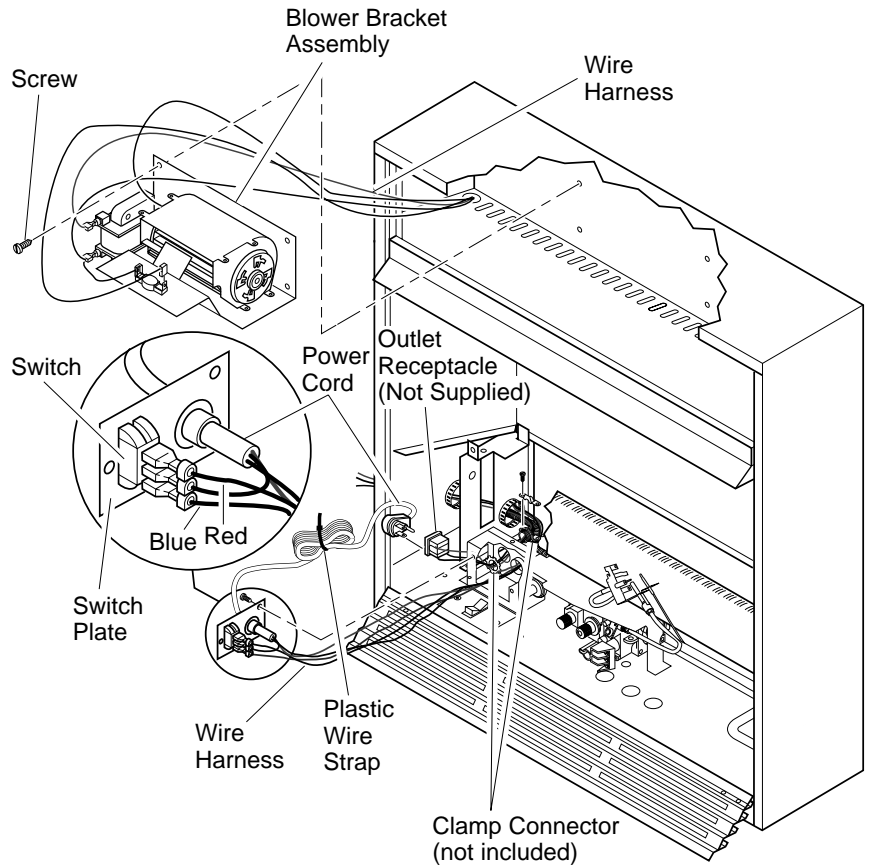


Figure 6 - Installing Blower Bracket Assembly

EXTENSION CORD

Use extension cord if needed. The cord must have a three-prong, grounding plug and a three-hole receptacle. Make sure cord is in good shape. It must be heavy enough to carry the current needed. An undersized cord will cause a drop in line voltage. This will result in loss of power and overheating. Use a No. 16 AWG cord for lengths less than 50 feet.

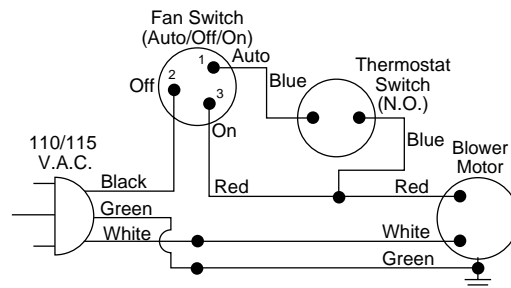
Note: Verify proper operation after servicing.

⚠ WARNING:
Electrical Grounding Instructions:
 This appliance is equipped with a three-prong (grounding) plug for your protection against shock hazard and should be plugged directly into a properly grounded three-prong receptacle.

⚠ WARNING: Never attempt to service heater while it is plugged in, operating, or hot. Burns and electrical shock could result. Only a qualified service person should service or repair heater.

If any of the original wire as supplied with the appliance must be replaced, original replacements must be used. DESA part no. 104015-01 (105°C) for power cord, and DESA part no. 103968-01 (200°C) for wire harness.

⚠ WARNING: Label all wires prior to disconnection when servicing controls. Wiring errors can cause improper and dangerous operation. Verify proper operation after servicing.



120 Vac. 60 Hz. .30 Amps
 DESA International, Bowling Green, KY

101584-06

Figure 7 - Wiring Diagram For Fan Accessory Standard Installation

Continued

OPERATING FAN

This blower has three settings: ON, OFF, and AUTO. In the ON position, the blower will operate constantly. In the OFF position, the blower will not operate. In the AUTO position, the blower will start when the thermostat senses a sufficient increase in firebox temperature.

Note: Your fireplace and thermostat blower will not turn on and off at the same time. The fireplace may run for several minutes before the blower turns on. After the heater modulates to the pilot position, the blower will continue to run. The blower will shut off after the firebox temperature decreases.

Note: It is safe to operate fireplace with blower turned off. However, the blower helps distribute heated air from the fireplace.

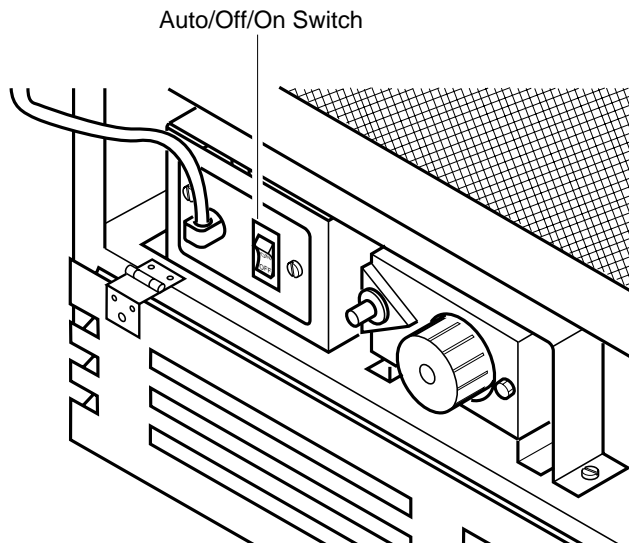


Figure 8 - Auto/Off/On Switch

DESA INTERNATIONAL

2701 Industrial Drive
P.O. Box 90004
Bowling Green, KY 42102-9004
Technical Service Department 1-800-323-5190
Parts Department 1-800-972-7879
www.desatech.com



103967 01

NOT A UPC

103967-01
Rev. C
04/00