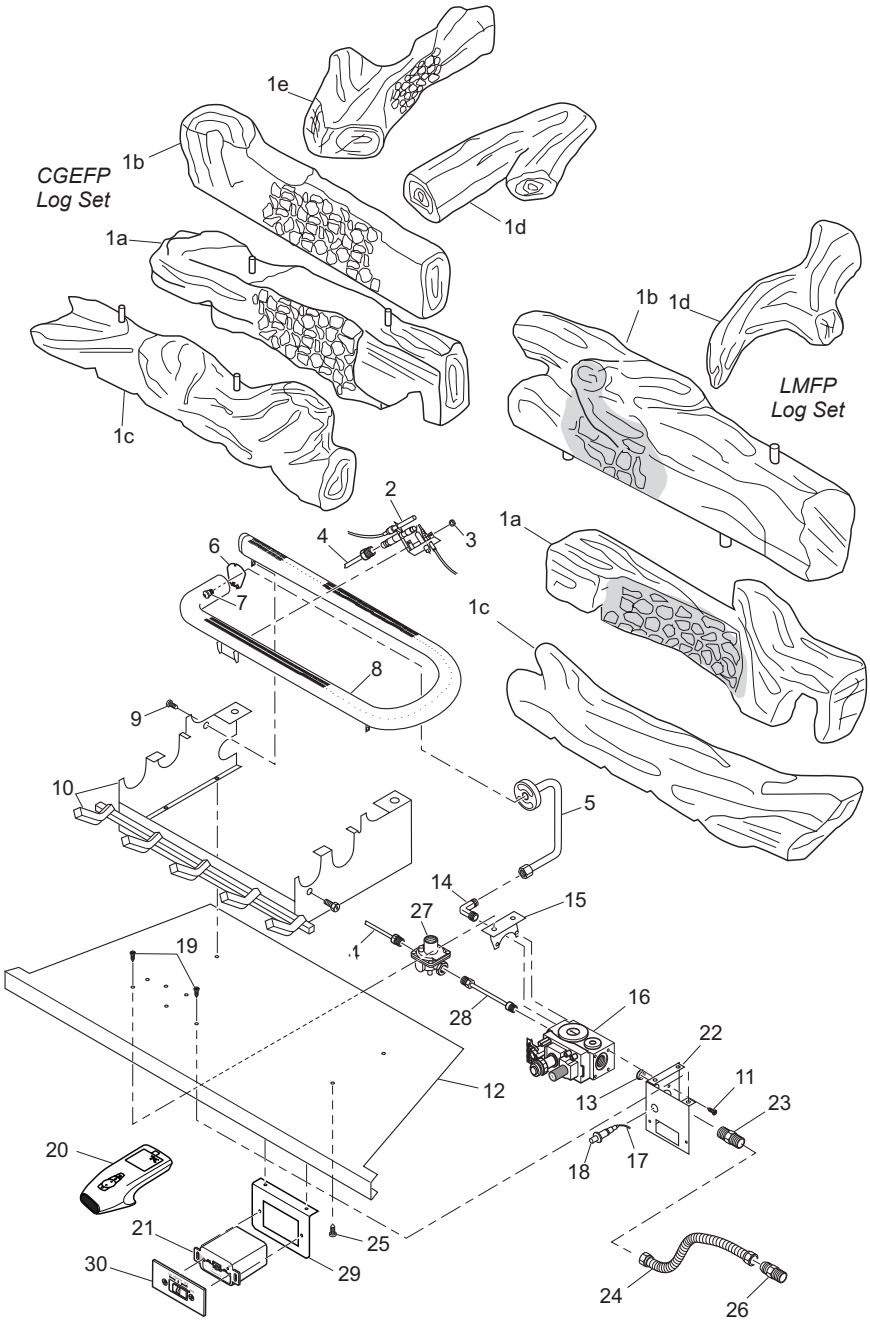


# PARTS

## MODELS

CGEFP33NRC, CGEFP33PRC, LMFP33NRC AND LMFP33PRC



## PARTS

This list contains replaceable parts used in your fireplace. When ordering parts, follow the instructions listed under Replacement Parts on page 30 of this manual.

| KEY<br>NO.                         | PART NO.    | DESCRIPTION               |            |           |            |           | QTY. |
|------------------------------------|-------------|---------------------------|------------|-----------|------------|-----------|------|
|                                    |             |                           | CGEFP33PRC | LMFP33PRC | CGEFP33NRC | LMFP33NRC |      |
| 1a                                 | 109072-01   | Middle Log                |            |           |            |           | 1    |
|                                    | 111625-03   | Middle Log                | •          | •         | •          | •         | 1    |
| 1b                                 | 109073-01   | Rear Log                  |            |           |            |           | 1    |
|                                    | 111625-04   | Rear Log                  | •          | •         | •          | •         | 1    |
| 1c                                 | 109074-01   | Front Log                 |            |           |            |           | 1    |
|                                    | 111625-02   | Front Log                 | •          | •         | •          | •         | 1    |
| 1d                                 | 109075-01   | Right Crossover Log       |            |           |            |           | 1    |
|                                    | 111625-08   | Right Crossover Log       | •          | •         | •          | •         | 1    |
| 1e                                 | 111625-06   | Left Crossover Log        | •          | •         |            |           | 1    |
| 2                                  | 103778-01   | ODS Pilot                 | •          | •         |            |           | 1    |
|                                    | 103779-01   | ODS Pilot                 |            |           | •          | •         | 1    |
| 3                                  | 098249-01   | ODS Nut                   | •          | •         | •          | •         | 2    |
| 4                                  | 099387-09   | Pilot Tube                | •          | •         |            |           | 1    |
|                                    | 099387-07   | Pilot Tube                |            |           | •          | •         | 1    |
| 5                                  | 104229-03   | Burner Outlet Tube        | •          | •         |            |           | 1    |
|                                    | 111331-13   | Burner Outlet Tube        |            |           | •          | •         | 1    |
| 6                                  | 111124-01   | Burner Retainer Spring    | •          | •         | •          | •         | 1    |
| 7                                  | 099056-31   | Burner Orifice Injector   | •          | •         |            |           | 1    |
|                                    | 099056-26   | Burner Orifice Injector   |            |           | •          | •         | 1    |
| 8                                  | 102772-01   | Burner                    | •          | •         | •          | •         | 2    |
| 9                                  | M11084-38   | Screw, #8-16 x 0.38       | •          | •         | •          | •         | 4    |
| 10                                 | 104236-01CK | Painted Base Assembly     | •          | •         | •          | •         | 1    |
| 11                                 | M12461-26   | Screw, #10-32 x 0.38      | •          | •         | •          | •         | 4    |
| 12                                 | **          | Firebox Bottom            | •          | •         | •          | •         | 1    |
| 13                                 | M50104-02   | Bushing                   | •          | •         | •          | •         | 1    |
| 14                                 | 098265-02   | Elbow, Male               | •          | •         | •          | •         | 1    |
| 15                                 | 103782-01   | Valve Bracket             | •          | •         | •          | •         | 1    |
| 16                                 | 111440-04   | Gas Valve, Remote         | •          | •         |            |           | 1    |
|                                    | 111440-03   | Gas Valve, Remote         |            |           | •          | •         | 1    |
| 17                                 | 098271-10   | Ignitor Cable             | •          | •         | •          | •         | 1    |
| 18                                 | 102445-01   | Piezo Ignitor             | •          | •         | •          | •         | 1    |
| 19                                 | 098304-01   | Screw                     | •          | •         | •          | •         | 7    |
| 20                                 | 121129-01   | Proflame Remote Control   | •          | •         | •          | •         | 1    |
| 21                                 | 121129-02   | Proflame Receiver         | •          | •         | •          | •         | 1    |
| 22                                 | 104241-04   | Valve Bracket             | •          | •         | •          | •         | 1    |
| 23                                 | 097809-02   | Male Connector            | •          | •         | •          | •         | 1    |
| 24                                 | 101628-03   | Flexible Connector (Hose) | •          | •         | •          | •         | 1    |
| 25                                 | M11084-26   | Screw, #10-16 x 0.38      | •          | •         | •          | •         | 4    |
| 26                                 | 901063-01   | 3/8" Flare x 1/2" NPT     | •          | •         | •          | •         | 1    |
| 27                                 | 099918-02   | Pilot Regulator           |            |           | •          | •         | 1    |
| 28                                 | 099387-07   | Pilot Tube                |            |           | •          | •         | 1    |
| 29                                 | 120657-01   | Receiver Bracket          | •          | •         | •          | •         | 1    |
| 30                                 | 121129-03   | Remote Cover Plate        | •          | •         | •          | •         | 1    |
| <b>PARTS AVAILABLE — NOT SHOWN</b> |             |                           |            |           |            |           |      |
|                                    | 097555-01   | Caution Decal             | •          | •         | •          | •         | 1    |
|                                    | 121129-04   | Proflame Wiring Harness   | •          | •         | •          | •         | 1    |

\*\* Not a field replaceable part.