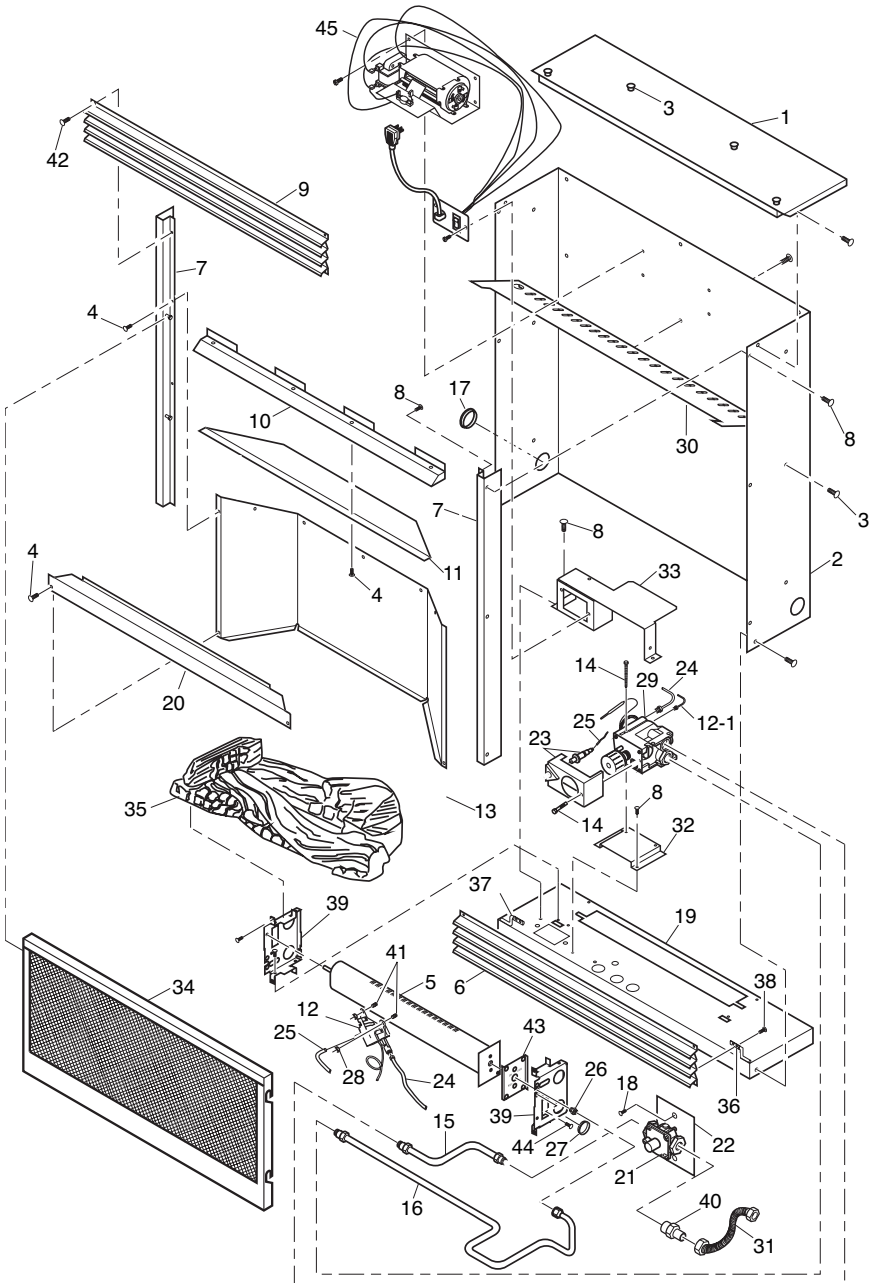


ILLUSTRATED PARTS BREAKDOWN

MODELS CGCFTP, CGCFTN, HDCFTP AND HDCFTN



PARTS LIST

This list contains replaceable parts used in your fireplace. When ordering parts, follow the instructions listed under *Replacement Parts* on page 26 of this manual.

KEY NO.	PART NO.	DESCRIPTION					QTY.
			HDCFTP	HDCFTN	CGCFTP	CGCFTN	
1	102633-02	Outer Casing Top	•	•	•	•	1
2	102624-02	Outer Casing	•	•	•	•	1
3	099230-02	Shoulder Screw	•	•	•	•	14
4	098304-01	Screw, #10 x 3/8"	•	•	•	•	16
5	109824-05	Burner	•	•	•	•	1
6	103209-01	Louvered Door	•	•	•	•	1
7	102635-02	Left and Right Side Front	•	•	•	•	2
8	M11084-26	Hex Head Screw, #10 x 3/8"	•	•	•	•	28
9	103209-05	Top Louver	•	•	•	•	1
10	104281-02BR	Firebox Hood	•	•	•	•	1
11	102638-01	Firebox Top	•	•	•	•	1
12	104285-01	ODS/Pilot Assembly	•	•	•	•	1
	104286-01	ODS/Pilot Assembly	•	•	•	•	1
13	**	Firebox Wrapper	•	•	•	•	1
14	099211-01	Control Bracket Screw	•	•	•	•	2
15	103963-01	Inlet Tube	•	•	•	•	1
16	102834-01	Outlet Tube	•	•	•	•	1
17	101629-02	Bushing	•	•	•	•	1
18	098303-02	Regulator Screw	•	•	•	•	2
19	**	Outer Shell Base	•	•	•	•	1
20	102649-02	Branch Support	•	•	•	•	1
21	099415-09	Gas Regulator	•	•	•	•	1
	099415-10	Gas Regulator	•	•	•	•	1
22	102875-01	Regulator Bracket	•	•	•	•	1
23	101381-01	Valve Cover and Piezo	•	•	•	•	1
24	099387-11	Pilot Tube	•	•	•	•	1
25	098271-06	Ignitor Cable	•	•	•	•	1
26	107186-01	Injector	•	•	•	•	1
	107186-02	Injector	•	•	•	•	1
27	101629-01	Bushing	•	•	•	•	1
28	098249-01	Nut, M5	•	•	•	•	2
29	098522-23	Gas Valve	•	•	•	•	1
	098522-26	Gas Valve	•	•	•	•	1
30	102639-01	Baffle	•	•	•	•	1
31	101628-01	Flexible Connector	•	•	•	•	1
32	102869-01	Control Bracket	•	•	•	•	1
33	102731-01	Control Shield	•	•	•	•	1
34	113160-01	Screen Assembly	•	•	•	•	1
35	107154-01	Log Set	•	•	•	•	1
36	104313-01	Hinge, Right	•	•	•	•	1
37	104313-02	Hinge, Left	•	•	•	•	1
38	M10908-2	Hinge Screws	•	•	•	•	4
39	103734-01	Burner Support	•	•	•	•	2
40	097809-03	3/8" NPT x 3/8" Flare Brass Fitting	•	•	•	•	1
41	101006-02	Bracket, Pilot	•	•	•	•	1
42	098304-03	Screw, #8 x 3/8"	•	•	•	•	4
43	107634-02	NG Conversion Plate	•	•	•	•	1
44	M10908-75	Hex wsr head tapping screw	•	•	•	•	1
45	113901-01	T-stat Blower Kit (HDC Models Only)	•	•	•	•	1
PARTS AVAILABLE - NOT SHOWN							
	101054-01	Lighting Instructions Plate	•	•	•	•	1
	100563-01	Warning Plate	•	•	•	•	1
	103470-01	Hardware Package	•	•	•	•	1

** Part not available for field replacement.