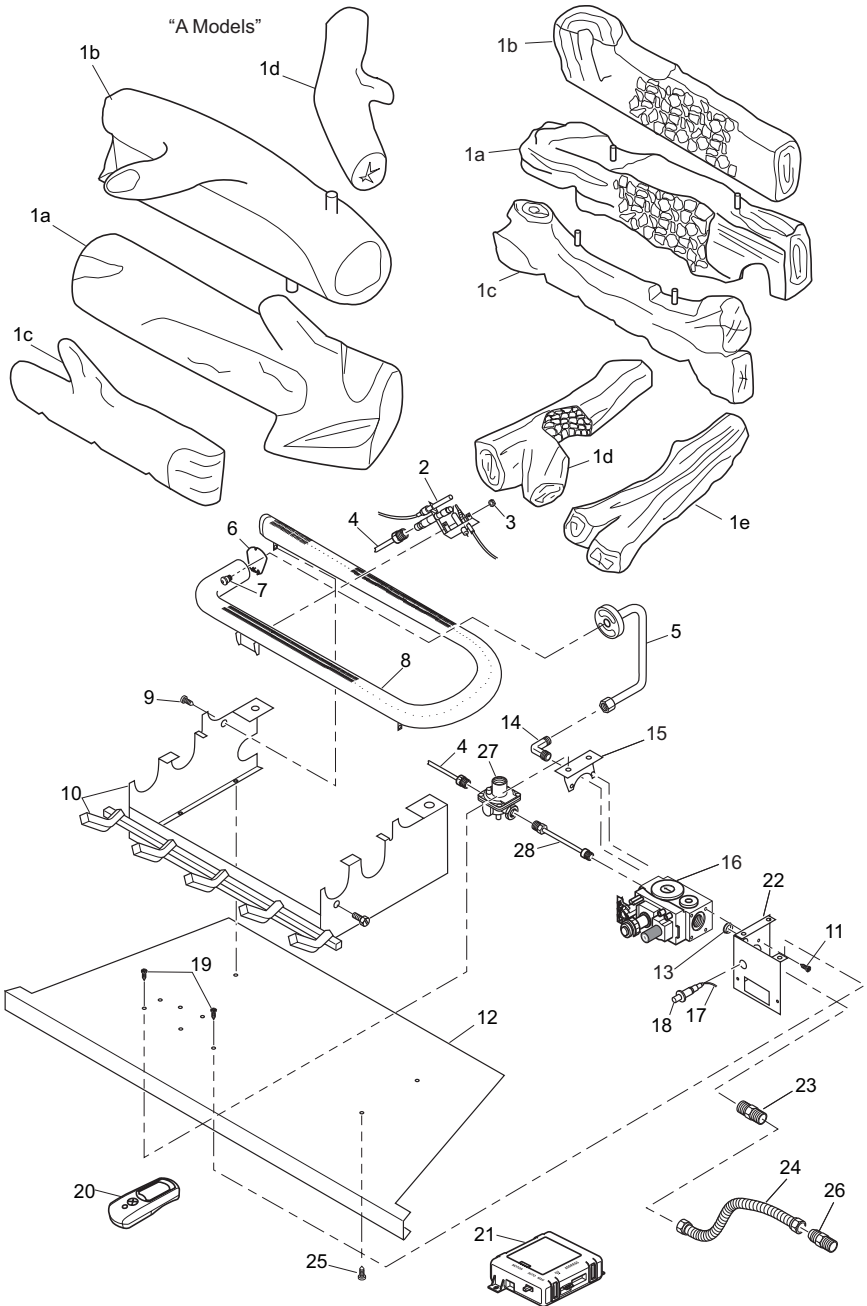


ILLUSTRATED PARTS BREAKDOWN

MODELS

LMFP33PR, LMFP33PRA, LMFP33NR AND LMFP33NRA (SHOWN)



PARTS LIST

This list contains replaceable parts used in your fireplace. When ordering parts, follow the instructions listed under *Replacement Parts* on page 29 of this manual.

KEY NO.	PART NUMBER				DESCRIPTION	QTY.
	LMFP33PR	LMFP33PRA	LMFP33NR	LMFP33NRA		
1a	111625-03	109072-01	111625-03	109072-01	Middle Log	1
1b	111625-04	109073-01	111625-04	109073-01	Rear Log	1
1c	111625-01	109074-01	111625-01	109074-01	Front Log	1
1d	111625-07	—	111625-07	—	Left Crossover Log	1
1e	111625-05	109075-01	111625-05	109075-01	Right Crossover Log	1
2	103778-01	103778-01	103779-01	103779-01	ODS Pilot	1
3	098249-01	098249-01	098249-01	098249-01	ODS Nut	2
4	099387-09	099387-09	099387-07	099387-07	Pilot Tube	1
5	104229-03	104229-03	111331-13	111331-13	Burner Outlet Tube	1
6	111124 -01	111124-01	111124-01	111124-01	Burner Retainer Spring	1
7	099056-31	099056-31	099056-26	099056-26	Burner Orifice Injector	1
8	102772-01	102772-01	102772-01	102772-01	Burner	2
9	M11084-38	M11084-38	M11084-38	M11084-38	Screw, #8-16 x .38	4
10	104236-01CK	104236-01CK	104236-01CK	104236-01CK	Painted Base Assembly	1
11	M12461-26	M12461-26	M12461-26	M12461-26	Screw, #10-32 x 0.38	4
12	**	**	**	**	Firebox Bottom	1
13	M50104-02	M50104-02	M50104-02	M50104-02	Bushing	1
14	098265-02	098265-02	098265-02	098265-02	Elbow, Male	1
15	103782-01	103782-01	103782-01	103782-01	Valve Bracket	1
16	111440-04	111440-04	111440-03	111440-03	Gas Valve, Remote	1
17	098271-10	098271-10	098271-10	098271-10	Ignitor Cable	1
18	102445-01	102445-01	102445-01	102445-01	Piezo Ignitor	1
19	098304-01	098304-01	098304-01	098304-01	Screw	7
20	111442-02	111442-02	111442-02	111442-02	Digital Display Remote Control	1
21	111441-02	111441-02	111441-02	111441-02	Proflame Receiver	1
22	104241-01	104241-01	104241-01	104241-01	Remote Switch Bracket	1
23	097809-02	097809-02	097809-02	097809-02	Male Connector	1
24	101628-03	101628-03	101628-03	101628-03	Flexible Connector (Hose)	1
25	M11084-26	M11084-26	M11084-26	M11084-26	Screw, #10-16 x 0.38	4
26	901063-01	901063-01	901063-01	901063-01	3/8" Flare x 1/2" NPT	1
27	—	—	099918-02	099918-02	Pilot Regulator	
28	—	—	099387-07	099387-07	Pilot Tube	
PARTS AVAILABLE — NOT SHOWN						
	097555-01	097555-01	097555-01	097555-01	Caution Decal	1

** Not a field replaceable part.