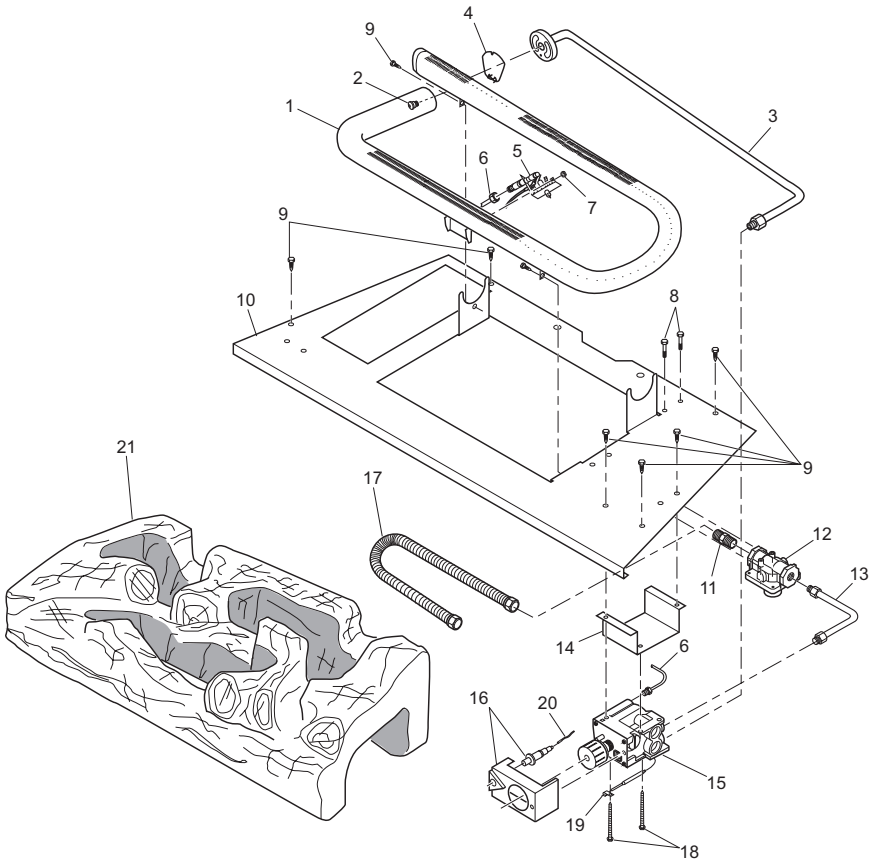


# ILLUSTRATED PARTS BREAKDOWN

## THERMOSTAT MODELS

FDCFTP, FDCFTN, VDCFTP, VDCFTN, CDCFTP AND CDCFTNA



# PARTS LIST

## THERMOSTAT MODELS

This list contains replaceable parts used in your fireplace. When ordering parts, follow the instructions listed under *Replacement Parts* on page 35 of this manual.

| KEY NO.                            | PART NO.  | DESCRIPTION                 | FDCFTP/VDCFTP | FDCFTN, VDCFTN | CDCFTPA | CDCFTNA | QTY. |
|------------------------------------|-----------|-----------------------------|---------------|----------------|---------|---------|------|
| 1                                  | 111069-01 | Dual Burner                 | •             | •              | •       | •       | 1    |
| 2                                  | 099056-29 | Injector, LP                | •             | •              |         |         | 1    |
|                                    | 099056-34 | Injector, NG                |               | •              | •       | •       | 1    |
| 3                                  | 104424-04 | Outlet Tube                 | •             | •              | •       | •       | 1    |
| 4                                  | 111124-01 | Burner Retainer Spring      | •             | •              | •       | •       | 1    |
| 5                                  | 107486-01 | ODS Pilot, LP               | •             | •              |         |         | 1    |
|                                    | 107485-01 | ODS Pilot, NG               |               | •              | •       | •       | 1    |
| 6                                  | 099387-09 | Pilot Tube                  | •             | •              | •       | •       | 1    |
| 7                                  | 098249-01 | ODS Nut                     | •             | •              | •       | •       | 2    |
| 8                                  | M11084-38 | Screw, HWH AB 8-18 x 0.38   | •             | •              | •       | •       | 2    |
| 9                                  | M11084-26 | Screw, HWH AB 10-16 x 0.38  | •             | •              | •       | •       | 10   |
| 10                                 | **        | Chamber Floor               | •             | •              | •       | •       | 1    |
| 11                                 | 097809-02 | Male Fitting                | •             | •              | •       | •       | 1    |
| 12                                 | 098867-10 | Gas Regulator, LP           | •             | •              | •       |         | 1    |
|                                    | 098867-14 | Gas Regulator, NG           |               | •              | •       | •       | 1    |
| 13                                 | 108628-02 | Inlet Tube                  | •             | •              | •       | •       | 1    |
| 14                                 | 102394-02 | Control Bracket             | •             | •              | •       | •       | 1    |
| 15                                 | 098522-13 | Thermostat Gas Valve, LP    | •             | •              | •       |         | 1    |
|                                    | 098522-12 | Thermostat Gas Valve, NG    |               | •              | •       | •       | 1    |
| 16                                 | 101381-01 | Valve Cover with Piezo      | •             | •              | •       | •       | 1    |
| 17                                 | 101628-03 | Flexible Connector          | •             | •              | •       | •       | 1    |
| 18                                 | 099211-01 | Screw, HWH AB 10-16 x 2.50  | •             | •              | •       | •       | 2    |
| 19                                 | 098544-01 | Thermobulb Clip             | •             | •              | •       | •       | 1    |
| 20                                 | 098271-10 | Ignition Cable              | •             | •              | •       | •       | 1    |
| 21                                 | 111138-01 | Log Set                     | •             | •              |         |         | 1    |
|                                    | 113342-01 | Log Set                     |               | •              | •       |         | 1    |
| <b>PARTS AVAILABLE - NOT SHOWN</b> |           |                             |               |                |         |         |      |
|                                    | 901056-01 | Brass Flare Adapter Fitting | •             | •              | •       | •       | 1    |
|                                    | 103470-01 | Hardware Pack               | •             | •              | •       | •       | 1    |
|                                    | 100563-01 | Warning Plate               | •             | •              | •       | •       | 1    |
|                                    | 101054-01 | Lighting Instruction Plate  | •             | •              | •       | •       | 1    |

\*\* Not a field replaceable part