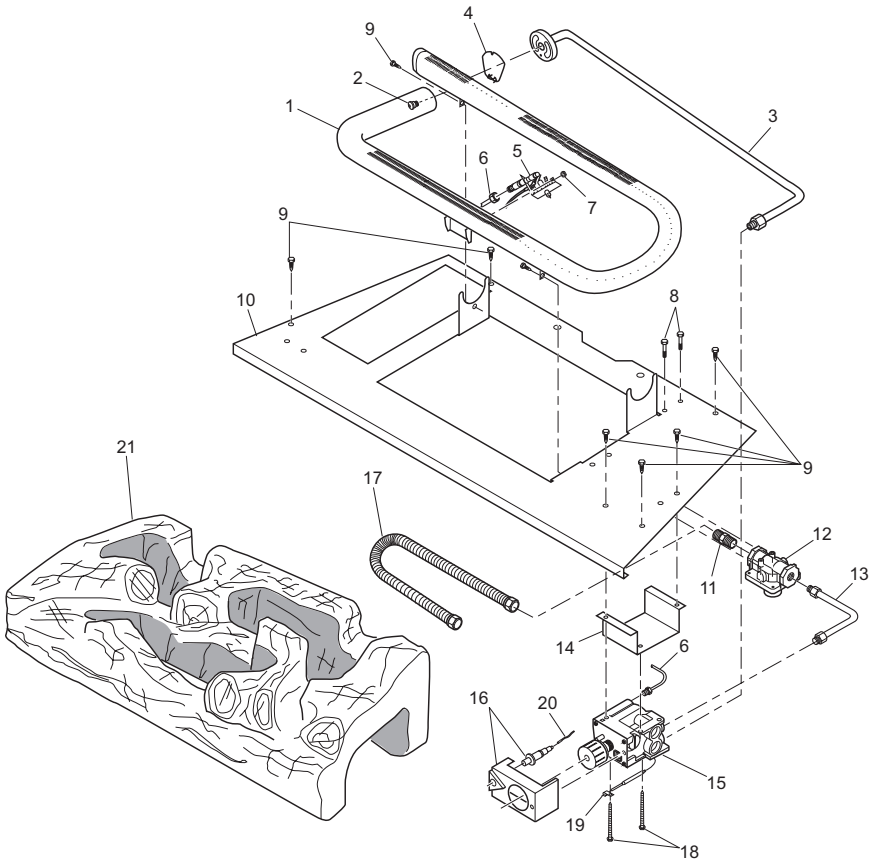


ILLUSTRATED PARTS BREAKDOWN

THERMOSTAT MODELS

FDCFTP, FDCFTN, VDCFTP, VDCFTN, CDCFTP AND CDCFTNA



PARTS LIST

THERMOSTAT MODELS

This list contains replaceable parts used in your fireplace. When ordering parts, follow the instructions listed under *Replacement Parts* on page 35 of this manual.

KEY NO.	PART NO.	DESCRIPTION	FDCFTP/VDCFTP	FDCFTN, VDCFTN	CDCFTPA	CDCFTNA	QTY.
1	111069-01	Dual Burner	•	•	•	•	1
2	099056-29	Injector, LP	•	•			1
	099056-34	Injector, NG		•	•	•	1
3	104424-04	Outlet Tube	•	•	•	•	1
4	111124-01	Burner Retainer Spring	•	•	•	•	1
5	107486-01	ODS Pilot, LP	•	•			1
	107485-01	ODS Pilot, NG		•	•	•	1
6	099387-09	Pilot Tube	•	•	•	•	1
7	098249-01	ODS Nut	•	•	•	•	2
8	M11084-38	Screw, HWH AB 8-18 x 0.38	•	•	•	•	2
9	M11084-26	Screw, HWH AB 10-16 x 0.38	•	•	•	•	10
10	**	Chamber Floor	•	•	•	•	1
11	097809-02	Male Fitting	•	•	•	•	1
12	098867-10	Gas Regulator, LP	•	•	•		1
	098867-14	Gas Regulator, NG		•	•	•	1
13	108628-02	Inlet Tube	•	•	•	•	1
14	102394-02	Control Bracket	•	•	•	•	1
15	098522-13	Thermostat Gas Valve, LP	•	•	•		1
	098522-12	Thermostat Gas Valve, NG		•	•	•	1
16	101381-01	Valve Cover with Piezo	•	•	•	•	1
17	101628-03	Flexible Connector	•	•	•	•	1
18	099211-01	Screw, HWH AB 10-16 x 2.50	•	•	•	•	2
19	098544-01	Thermobulb Clip	•	•	•	•	1
20	098271-10	Ignition Cable	•	•	•	•	1
21	111138-01	Log Set	•	•			1
	113342-01	Log Set			•	•	1
PARTS AVAILABLE - NOT SHOWN							
	901056-01	Brass Flare Adapter Fitting	•	•	•	•	1
	103470-01	Hardware Pack	•	•	•	•	1
	100563-01	Warning Plate	•	•	•	•	1
	101054-01	Lighting Instruction Plate	•	•	•	•	1

** Not a field replaceable part