

For more information, visit www.desatech.com

Adjustable Temperature Settings:

Low - 20,000 Btu

High - 24,000 Btu

⚠ WARNING: For Outdoor Use Only

⚠ WARNING: Read and understand this manual before assembling, starting, or servicing heater. Improper use of heater can cause serious injury, property damage, or death. Keep this manual for future reference.

FOR YOUR SAFETY

If you smell gas:

1. Shut off gas to the appliance.
2. Extinguish any open flame.
3. If odor continues, immediately call your gas supplier.

FOR YOUR SAFETY

Do not store or use gasoline or other flammable vapors and liquids in the vicinity of this or any other appliance.



LISTED

Gas-Fired Infrared Patio Heater
28BN



Fill In For Your Records

Model No. _____
(Located on side panel)

Serial No. _____
(Located near piezo ignitor)

Date of Purchase _____

TABLE OF CONTENTS

SAFETY INFORMATION	2	MAINTENANCE	7
UNPACKING	3	REPLACEMENT PARTS	7
TOOLS REQUIRED	4	TROUBLESHOOTING	8
ASSEMBLY	4	TECHNICAL SERVICE	8
OPERATION	6	ILLUSTRATED PARTS BREAKDOWN AND PARTS LIST	9
STORAGE	7	WARRANTY AND REPAIR SERVICE	Back Page

SAFETY INFORMATION

⚠️ WARNINGS

⚠️ WARNING: This product contains and/or generates chemicals known to the State of California to cause cancer or birth defects, or other reproductive harm.

⚠️ WARNING: Fire, burn, inhalation, and explosion hazard. Keep solid combustibles, such as building materials, wood, vinyl siding, paper or cardboard, a safe distance away from the heater as recommended by the instructions. Never use the heater in spaces which do or may contain volatile or airborne combustibles, or products such as gasoline, solvents, paint thinner, dust particles or unknown chemicals.

⚠️ WARNING: Improper installation, adjustment, alteration, service or maintenance can cause injury, property damage, or death. Read the installation, operating, and maintenance instructions thoroughly before installing or servicing this equipment.

The heater is designed for use as an infrared patio heater in accordance with the applicable requirements CSA 5.90 U.S Infrared Patio Heaters and the requirements of UL's outline of investigation for gas-fired Infrared Patio Heaters operated at high pressures. Other standards govern the use of fuel gases and heating products for specific uses. Your local authority can advise you about these. The primary purpose of outdoor patio heaters is to provide heating of residential and nonresidential spaces. Properly used, the heater provides safe economical heating.

We cannot foresee every use which may be made of our heaters. **CHECK WITH YOUR LOCAL FIRE SAFETY AUTHORITY IF YOU HAVE QUESTIONS ABOUT HEATER USE.**

Carbon Monoxide Poisoning: Some people are more affected by carbon monoxide than others. Early signs of carbon monoxide poisoning resemble the flu, with headaches, dizziness, and/or nausea. If you have these signs, the heater may not be working properly. **Get fresh air at once!** Have heater serviced.

Propane/LP Gas: Propane/LP gas is odorless. An odor-making agent is added to propane/LP gas. The odor helps you detect a propane/LP gas leak. However, the odor added to propane/LP gas may fade. Propane/LP gas may be present even though no odor exists.

Make certain you read and understand all warnings. Keep this manual for reference. It is your guide to safe and proper operation of this heater.

- Install and use heater with care. Follow all local ordinances and codes. In the absence of local ordinances and codes, refer to the *Standard for Storage and Handling of Liquefied Petroleum Gas, ANSI/NFPA 58*. This instructs on the safe storage and handling of propane/LP gases.
- Use only propane/LP gas set up for vapor withdrawal in a 20 lb. cylinder. Cylinder must be constructed and marked in accordance with specifications for propane/LP cylinders of the U.S. Department of Transportation (DOT). The cylinder must be provided with a shutoff valve terminating in a propane/LP supply cylinder valve outlet. The valve must have external threads and marked "Use with Type 1" and a safety relief device having a direct communication with the vapor space of the cylinder. The cylinder used must include a collar to protect the cylinder valve.
- For outdoor use only. Do not use heater indoors or in any unventilated or enclosed areas. This heater uses oxygen. Do not use in unventilated or enclosed areas where carbon monoxide poisoning may occur.
- Do not use heater in basement or below ground level. Propane/LP gas is heavier than air. If a leak occurs, propane/LP gas will sink to the lowest possible level.
- Keep appliance area clear and free from combustible materials, gasoline, paint thinner, and other flammable vapors and liquids. Dust is combustible. Do not use heater in areas with high dust content.
- Minimum heater clearances from combustibles: Back: 18 inches; Top, Front and Sides: 42 inches (see Figure 1, page 3).
- Before each use, check heater for leaks. Never use an open flame to check for a leak. Apply a mixture of liquid soap and water to all joints. Bubbles forming show a leak. Correct all leaks at once.
- Keep propane/LP cylinder below 100° F (38°C).
- Use only the hose and factory preset regulator provided with the heater. Do not adjust regulator as gas leaks may occur.

SAFETY INFORMATION

Continued

- Check hose before each use of heater. Disconnect hose with 9/16" wrench. Pull hose down to the base and check for tears and abrasions in hose and on regulator. If highly worn or cut, replace with hose specified by manufacturer before using heater.
- Do not alter heater. Keep heater in its original state.
- Do not use heater if altered.
- Locate heater on stable and level surface.
- Do not operate heater while sleeping or leave heater unattended.
- Keep children and animals away from heater.
- Never move, handle, or service a hot or operating heater. Severe burns may result. You must wait 20 minutes after turning heater off.
- To prevent injury, wear gloves when handling heater.
- Turn off heater valve and gas supply to heater when not in use.
- Use only original replacement parts. This heater must use design-specific parts. Do not substitute or use generic parts. Improper replacement parts could cause serious or fatal injuries.
- Always remove gas hose from propane/LP cylinder, after each use. Always store propane/LP cylinder outdoors. Never store propane/LP cylinder in an enclosed area. Never store cylinder near high heat, open flame, or where temperatures exceed 100°F (38°C).
- Certain materials or items, when stored under heater, will be subjected to radiant heat and could be seriously damaged.
- Shut heater off immediately if flashback occurs (flame inside burner tube). Have heater serviced.
- Do not hang clothing or other flammable materials either on or near heater.
- Never attempt to use heater or any components that have been damaged or exposed to accidental fire.
- If tip switch activates, turn valve to OFF position and wait 5 minutes to cool before relighting.
- If you smell gas or suspect a leak, shut off propane/LP cylinder valve at once. Ventilate area. Do not strike a match or create any flame or electric spark. Find and correct leak before attempting to light any appliance.
- Do not block intake air openings, see Figure 12, page 6.
- Any guard or other protective device removed for servicing must be replaced prior to operating the heater.
- Surface temperatures become very hot when operating heater. Children and adults should stay away to avoid burns or clothing ignition.
- Young children should be carefully supervised when they are in the area of the heater.
- Installation and repair should be done by a qualified service person. The heater should be inspected before use and at least annually by a qualified service person. More frequent cleanings may be required as necessary. It is imperative that control compartments, burners, and circulating air passageways of the heater be kept clean.
- Clean inside of control box regularly. Remove screws from control box to open. Clean area with hands or wet rag. Reinstall control box.

⚠ CAUTION: The gas pressure regulator provided with this appliance must be used. This regulator is set for an output pressure of 48.6" W.C. (1.8 P.S.I.).

- Specifications:
Minimum inlet gas pressure: 11" W.C.
Maximum inlet gas pressure: 54" W.C.
Required manifold pressure: 48.6" W.C.
- Propane/LP gas cylinder is not provided. Use a 20 lb. propane/LP gas cylinder marked propane. The cylinder supply system must be arranged for vapor withdrawal. The cylinder used must include a collar to protect the cylinder valve. The cylinder must be provided with a shutoff valve terminating in a propane/LP gas supply cylinder valve outlet specified, as applicable, for connection no. 510 in the *Standard for Compressed Gas Cylinders Valve Outlet and Inlet Connections*, ANSI/CGA-V-1, or connection no. 600 in the Compressed Gas Association's *Limited Standard Cylinder Valve Outlet Connection for Propane Small Valve Series* or combination propane/LP gas cylinder valve and quick-disconnect assembly complying with 1.16.5-c and a safety relief device having a direct communication with the vapor space of the cylinder.

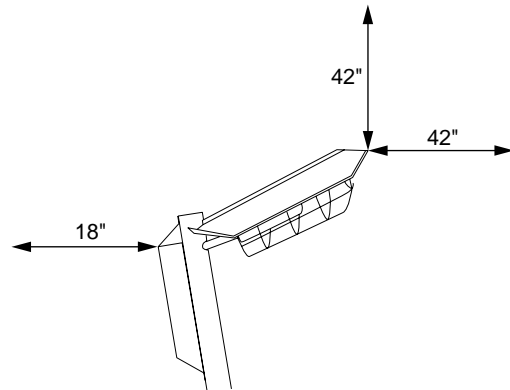


Figure 1 - Clearances from Combustibles

UNPACKING

1. Remove all packing items applied to heater for shipment.
2. Remove all items from carton.
3. Check all items for shipping damage. If heater is damaged, promptly inform dealer where you bought heater.

TOOLS REQUIRED

- #2 Phillips screwdriver
- 9/16" Open end wrench

ASSEMBLY

Assemble the heater in the approximate location it will be used to minimize moving heater once assembled.

1. Position base on floor with open side down.
2. Locate right wrapper and left wrapper. Place one side to base and secure using 5 screws provided. Repeat for other side (see Figure 2).
3. Locate center wrapper. The center wrapper is angled at the bottom and has a hole on either side of the front at the top. Slide J-clips over holes on open side of center wrapper with short side to the outside of center wrapper (see Figure 3).

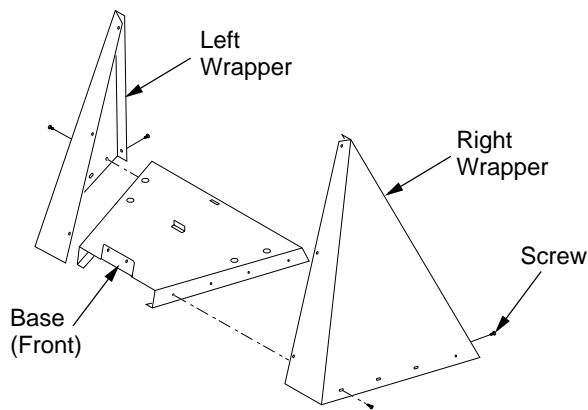


Figure 2 - Attaching Left and Right Wrappers to Base

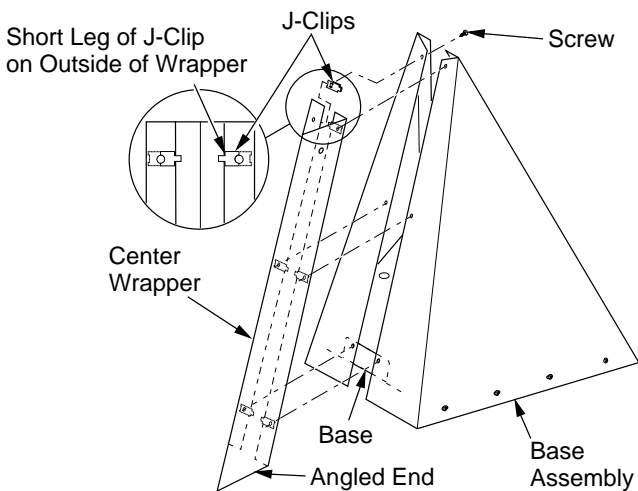


Figure 3 - Attaching Center Wrapper to Base Assembly

4. Align holes on center wrapper with holes on left and right wrappers. Using screws provided, attach center wrapper to left and right wrappers and base from inside the assembly (see Figure 4).
5. Insert back plate up through the base and wrapper assembly and attach to left and right wrappers with 4 screws provided (see Figure 5). The back plate will be under the wrapper flanges as shown in Figure 5.

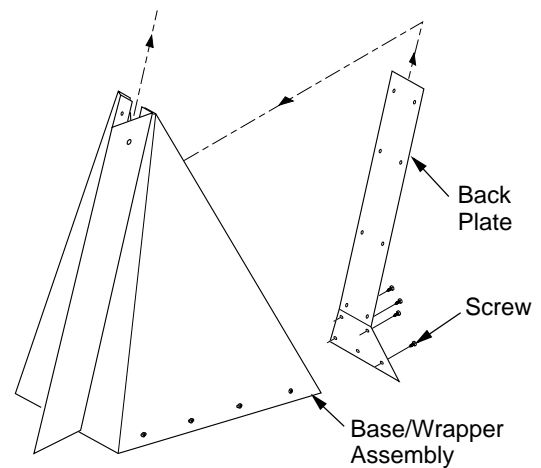


Figure 4 - Attaching Back Plate

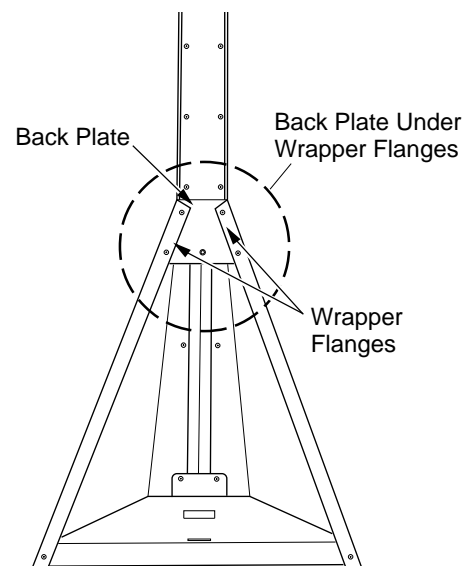


Figure 5 - Back Plate Location

ASSEMBLY

Continued

6. Place lower mast inside base assembly (see Figure 6). Bottom of lower mast has cut out section that slips into base assembly. Using 10 screws provided, attach to base assembly and back plate.
7. Remove 4 screws from control cover on back of upper mast assembly (see Figure 7). Carefully pull control cover from assembly and unplug electrode wire from piezo ignitor. The ignitor will stay assembled to the control cover.
8. Slide upper mast assembly over lower mast and install using 4 screws provided (see Figure 8).
9. Using hose and regulator assembly provided, route hose up through mast from inside base assembly. Screw hose fitting onto inlet of valve and tighten with 9/16" open end wrench (see Figure 9).
10. Using only a 20 lb. propane/LP cylinder, not included (see safety information for proper cylinder selection), connect the hose/regulator assembly to the cylinder (see Figure 10). When connecting regulator assembly to cylinder valve, hand tighten nut clockwise to a positive stop. **DO NOT** use a wrench to tighten. Use of a wrench may damage quick closing coupling nuts and result in a hazardous condition.

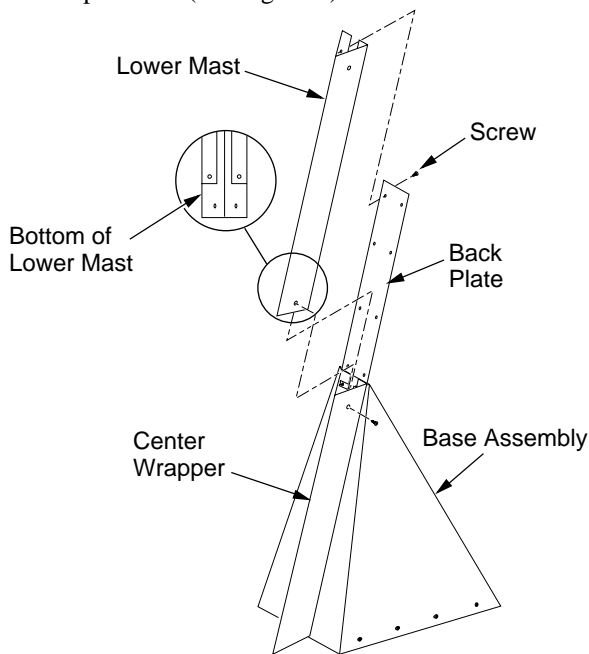


Figure 6 - Attaching Lower Mast

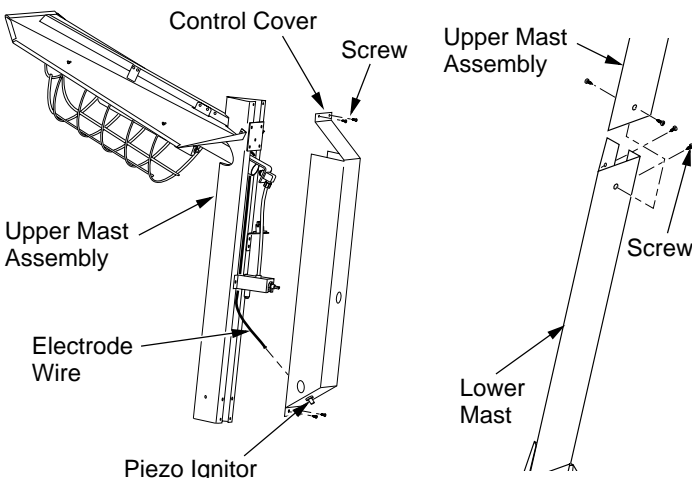


Figure 7 - Removing Control Cover

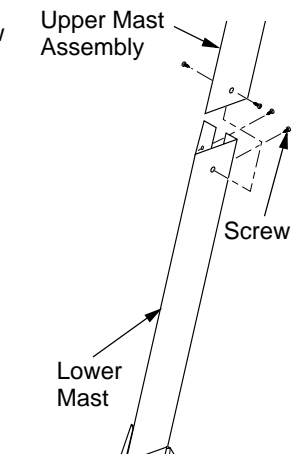


Figure 8 - Attaching Upper Mast Assembly

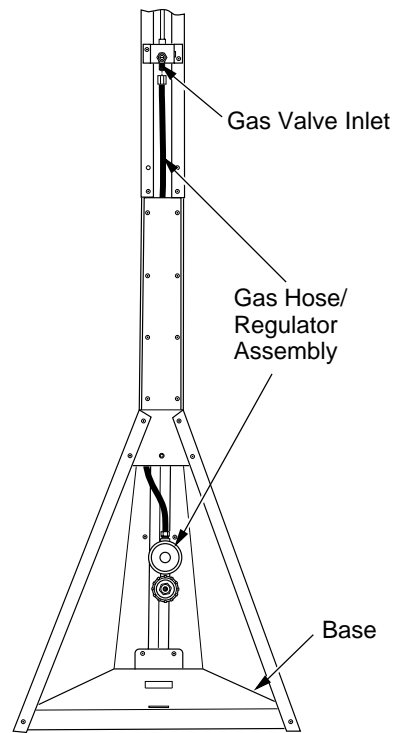


Figure 9 - Installing Hose and Regulator Assembly

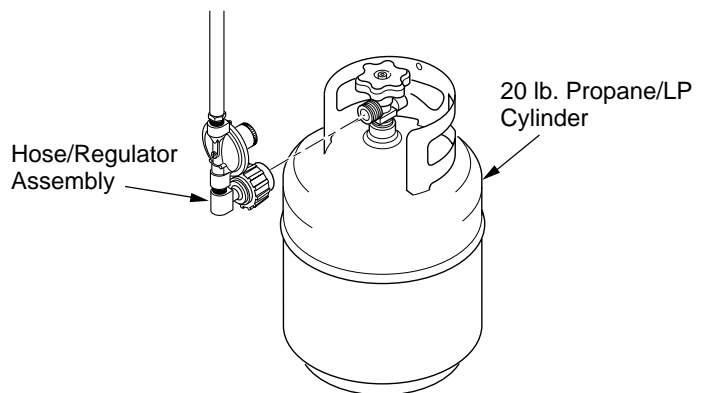


Figure 10 - Connecting Hose/Regulator Assembly to Propane/LP Cylinder

ASSEMBLY

Continued

11. Place the cylinder inside the base with the regulator to the front of base assembly. Make sure the bottom collar of the cylinder is in front of the tab in the base (see Figure 11).
12. Verify valve on heater is in OFF position.
13. Turn cylinder supply valve fully counterclockwise to the OPEN position.
14. Use a soapy water solution to check all connections for leaks before attempting to light heater. If leak is found, turn cylinder valve to CLOSE and do not use until all leaks are corrected.
15. Turn cylinder supply valve fully clockwise to CLOSE position.
16. Plug ignitor wire back into piezo ignitor and replace control cover (see Figure 7, page 5).

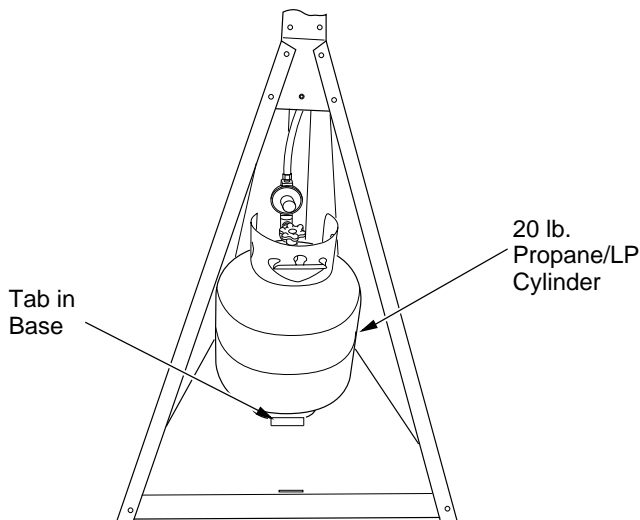


Figure 11 - Installing Propane/LP Cylinder

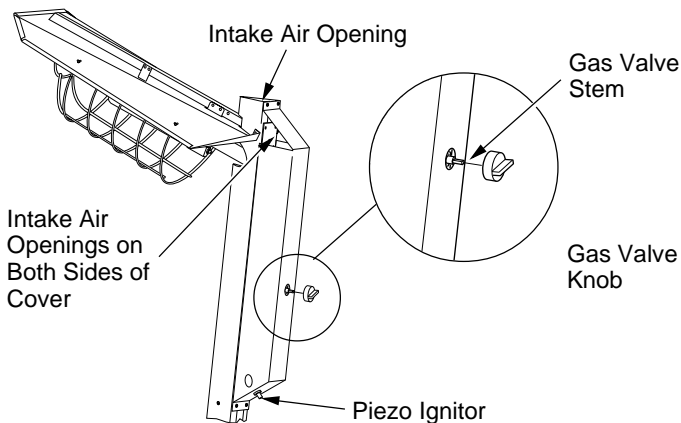


Figure 12 - Installing Gas Valve Knob

17. Install knob onto gas valve stem aligning “d-flat” (see Figure 13).
18. Install shoulder screw, provided, into center hole at bottom of back plate (see Figure 13).
19. Place cylinder cover over this screw while inserting tab in base (see Figure 13).

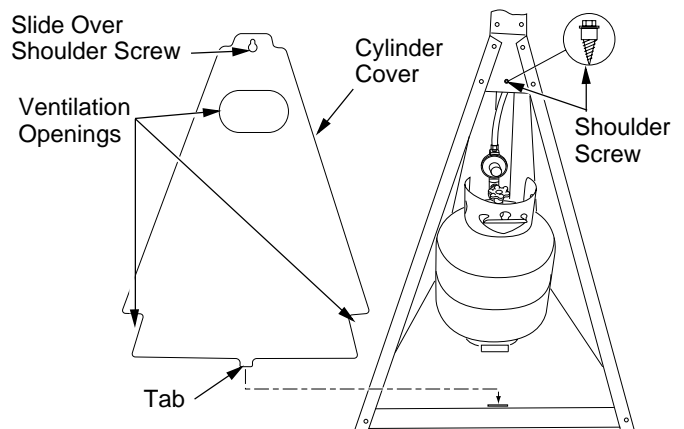


Figure 13 - Installing Cylinder Cover

OPERATION

LIGHTING INSTRUCTIONS

1. Remove cylinder cover by lifting up and out.
2. Using only a 20 lb. propane/LP cylinder, not included (see safety information for proper cylinder selection), connect the hose/regulator assembly to the cylinder (see Figure 10, page 5). The hose should already be connected to the heater. When connecting regulator assembly to cylinder valve, hand tighten nut clockwise to a positive stop. **DO NOT** use a wrench to tighten. Use of a wrench may damage quick closing coupling nuts and result in a hazardous condition.
3. Place the cylinder inside the base with the regulator to front of base assembly. Make sure the bottom collar of the cylinder is in front of the tab in the base (see Figure 11).
4. Turn heater valve to OFF position.
5. Turn cylinder supply valve fully counter clockwise to OPEN position.
6. Use a soapy water solution to check the connection. For leaks before attempting to light heater. If leak is found, turn cylinder valve to CLOSE and do not use until all leaks are corrected.
7. Replace cylinder cover by sliding cover over shoulder screw while inserting tab in base (see Figure 13).
8. Push knob in and turn counter clockwise to the PILOT position.

OPERATION

Continued

9. Push knob in and quickly press IGNITOR button (see Figure 14). Repeat until heater is lit. This can be easily done by placing index finger in access hole on left of control cover and pushing ignitor with thumb (see Figure 14).
10. Continue holding knob in for approximately 30 seconds. Heater should remain lit in the LOW heat setting.
11. For more heat, press knob and rotate counterclockwise to HIGH setting.
12. If RELIGHTING, wait 5 minutes for heater to cool and gas to clear, then follow steps 4 through 11.

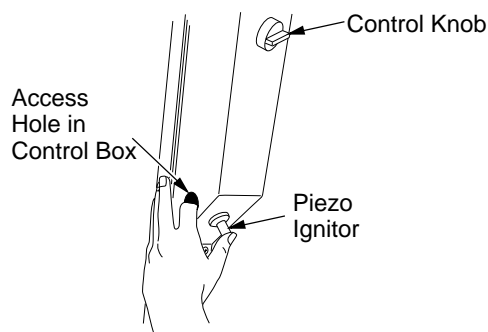


Figure 14 - Piezo and Control Knob Locations

SHUTDOWN INSTRUCTIONS

1. Press control knob and rotate clockwise to OFF position.
2. Close propane/LP cylinder valve (rotate knob clockwise).

STORAGE

CAUTION: Disconnect heater from propane/LP supply cylinder.

1. Do not store heater while attached to propane/LP cylinder. Close cylinder valve. Remove the hose/regulator assembly from the propane/LP cylinder by turning the fuel gas connector nut clockwise.
2. Store propane/LP cylinder in safe manner. Refer to Chapter 5 of *Standard for Storage and Handling of Liquefied Petroleum Gases, ANSI/NFPA 58*. Follow all local codes. Always store propane/LP cylinders outdoors. Never store propane/LP cylinder in an enclosed area.
3. Store in a dry, clean, and safe place.

MAINTENANCE

WARNING: Never attempt to service heater while it is connected to propane/LP supply, operating, or hot. Severe burns can occur. Any guard or other protective device removed for servicing must be replaced prior to operating the heater.

1. Keep heater clean. Remove any debris from ventilation openings (see Figures 12 and 13, page 6).
2. Inspect heater before each use. Check connections for leaks. Apply mixture of liquid soap and water to connections. Bubbles forming show a leak that must be corrected. Correct all leaks at once.
3. Inspect hose/regulator assembly before each use. If hose is highly worn or cut, replace it immediately. At least annually, remove hose/regulator assembly from heater to inspect entire length of hose.
4. Spiders and insects can create a dangerous condition that may damage heater or make it unsafe. Keep burner area clean of all spiders, webs, or insects.
5. Have heater inspected yearly by a qualified service person.

REPLACEMENT PARTS

WARNING: Use only original replacement parts. This heater must use design-specific parts. Do not substitute or use generic parts. Improper replacement parts could cause serious or fatal injuries. This will also protect your warranty coverage for parts replaced under warranty.

PARTS UNDER WARRANTY

Contact authorized dealers of this product. If they can't supply original replacement part(s), either contact your nearest Parts Central or call DESA Heating Products' Technical Service Department at 1-866-672-6040.

When calling DESA Heating Products, have ready

- your name
- your address
- model and serial numbers of your heater
- purchase date
- how heater was malfunctioning

In most cases, we will ask you to return the part to the factory.

PARTS NOT UNDER WARRANTY

Contact authorized dealers of this product. If they can't supply original replacement part(s), either contact your nearest Parts Central listed in the Authorized Service Center booklet supplied with heater or call DESA Heating Products at 1-866-672-6040 for referral information.

When calling DESA Heating Products, have ready

- model number of your heater
- the replacement part number

TROUBLESHOOTING

You may have further questions about this heater. If so, contact DESA Heating Products' Technical Service Department at 1-866-672-6040 or visit our web site at www.desatech.com.

⚠ WARNING: Never attempt to service heater while it is connected to propane/LP supply, operating, or hot. Severe burns can occur.

SYMPTOM	POSSIBLE CAUSE	REMEDY
Burner fails to light	<ol style="list-style-type: none"> 1. Propane/LP supply valve closed on propane/LP cylinder 2. Blockage in burner/orifice elbow/hose and regulator assembly 3. Piezo ignition system not sparking 	<ol style="list-style-type: none"> 1. Open propane/LP supply valve slowly 2. Clean burner/replace orifice elbow/hose and regulator assembly 3. Verify ignitor electrode gap is .20". Check wire lead for damage. Replace piezo ignitor and/or ignitor electrode as necessary
Burner lights but goes out when automatic control valve button is released	<ol style="list-style-type: none"> 1. Not enough warm-up time 2. Low gas pressure 3. Thermocouple loose or needs to be replaced 4. Automatic control valve needs to be replaced 	<ol style="list-style-type: none"> 1. Relight, hold automatic control valve button in 30 seconds 2. Check propane/LP cylinder for proper gas supply 3. Tighten connection or replace thermocouple 4. Replace automatic control valve assembly
Maximum burn rate is low	<ol style="list-style-type: none"> 1. Low gas pressure 2. Low fuel supply 3. Restriction in burner/orifice elbow/hose and regulator assembly 	<ol style="list-style-type: none"> 1. Check gas supply; check regulator output 2. Consult propane/LP gas supplier 3. Clean burner/replace orifice elbow/hose and regulator assembly

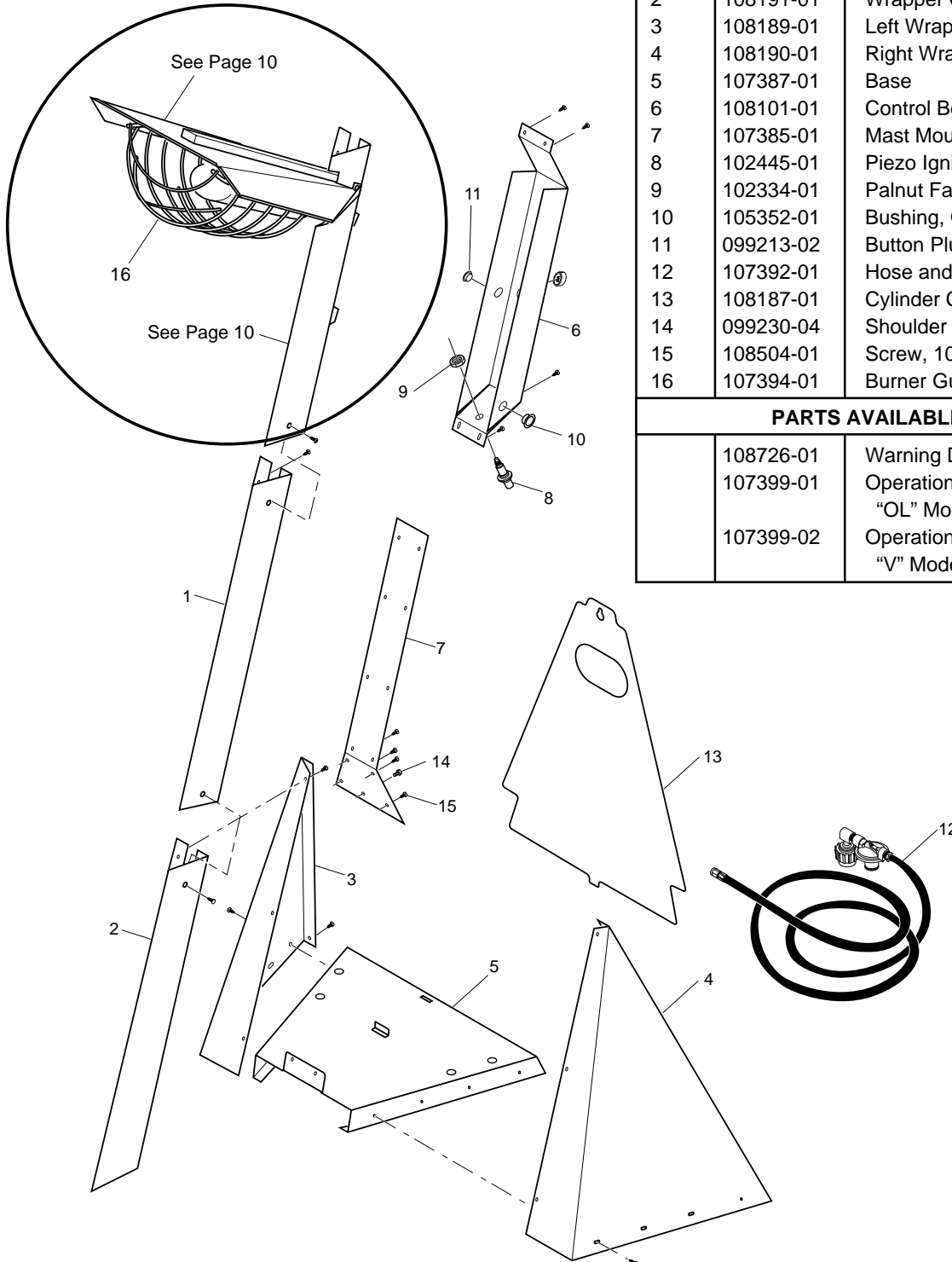
TECHNICAL SERVICE

You may have further questions about installation, operation, or troubleshooting. If so, contact DESA Heating Products' Technical Service Department at 1-866-672-6040. When calling please have your model and serial numbers of your heater ready.

You can also visit DESA Heating Products' technical service web site at www.desatech.com.

ILLUSTRATED PARTS BREAKDOWN

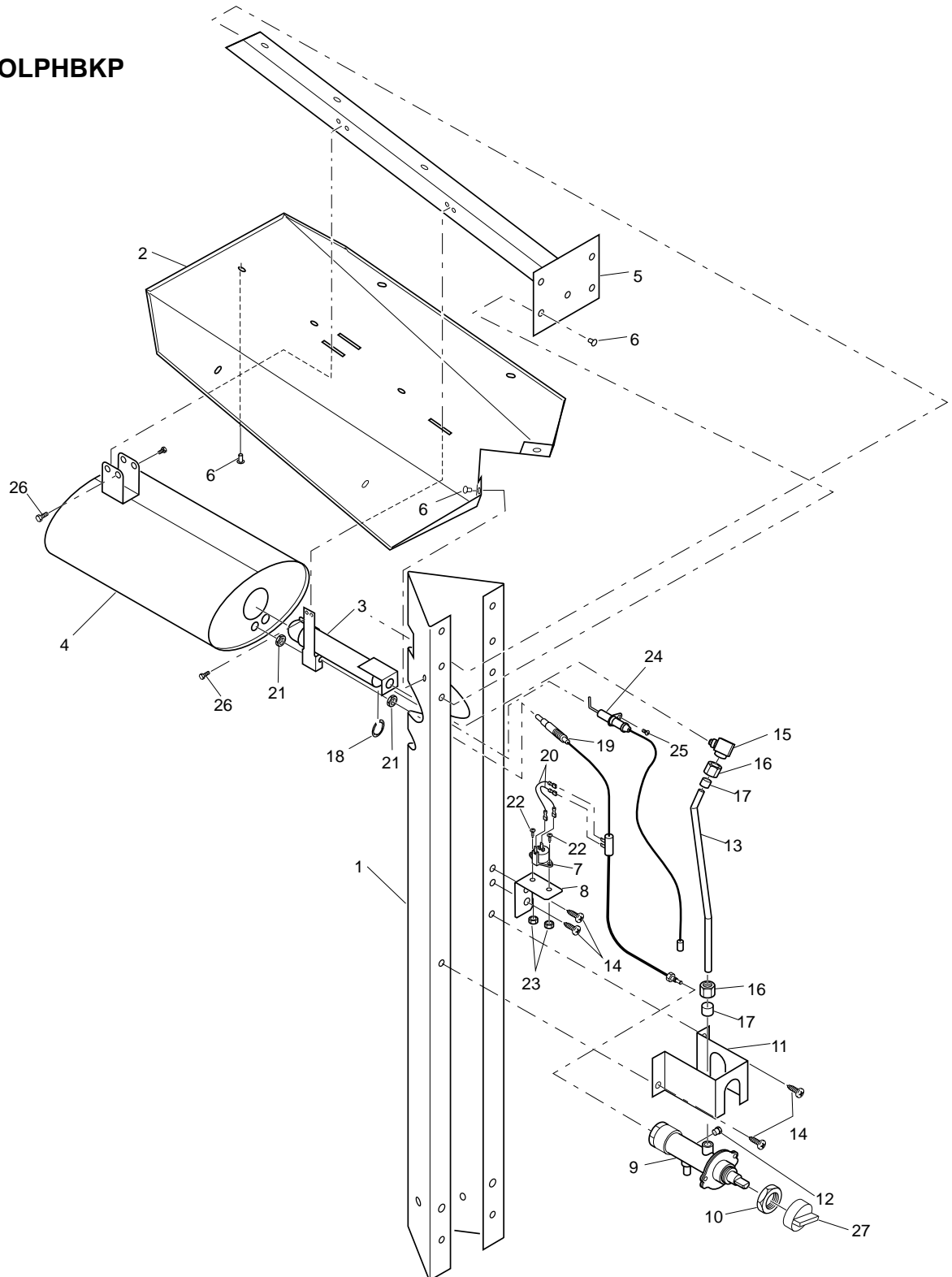
Models VPHBKP and OLPHBKP



KEY NO.	PART NUMBERS	DESCRIPTION	QTY.
1	107384-01	Lower Mast	1
2	108191-01	Wrapper Center	1
3	108189-01	Left Wrapper	1
4	108190-01	Right Wrapper	1
5	107387-01	Base	1
6	108101-01	Control Box	1
7	107385-01	Mast Mounting Plate	1
8	102445-01	Piezo Ignitor	1
9	102334-01	Palnut Fastener	1
10	105352-01	Bushing, Open/Closed	1
11	099213-02	Button Plug	1
12	107392-01	Hose and Regulator Assembly	1
13	108187-01	Cylinder Cover	1
14	099230-04	Shoulder Screw	1
15	108504-01	Screw, 10-16x.50	38
16	107394-01	Burner Guard	1
PARTS AVAILABLE NOT SHOWN			
	108726-01	Warning Decal (All Models)	1
	107399-01	Operation/Tradename Decal "OL" Models	1
	107399-02	Operation/Tradename Decal "V" Models	1

For more information, visit www.desatech.com



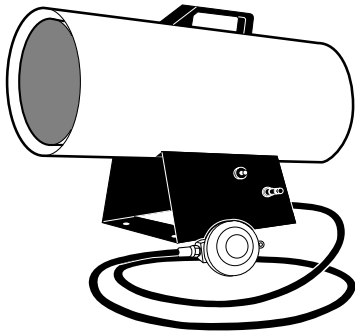
**ILLUSTRATED
PARTS BREAKDOWN**MODELS
VPHBKP AND OLPHBKP**For more information, visit www.desatech.com**

PARTS LIST

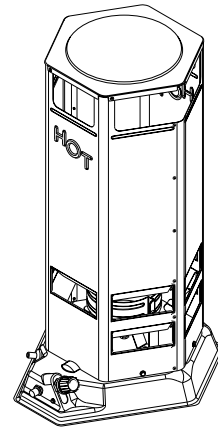
MODELS VPHBKP AND OLPHBKP

KEY NO.	PART NUMBERS	DESCRIPTION	QTY.
1	107386-01	Upper Mast	1
2	107393-01	Reflector	1
3	107390-01	Burner	1
4	108529-01	Emitter	1
5	107389-01	Burner Bracket	1
6	101448-01	Pop Rivet	9
7	108498-01	Tip Switch	1
8	108501-01	Tip Switch Bracket	1
9	108497-01	Control Valve	1
10	098508-01	Valve Retainer Nut	1
11	108100-01	Valve Bracket	1
12	098276-01	Plug, 1/8" NPTF Hex-Head	1
13	103397-02	Fuel Tube	1
14	108504-01	Screw, PTH 10-3/8 AB BK P	4
15	108500-01	Orifice Elbow	1
16	M5787	Brass Nut	2
17	M5788	Sleeve	2
18	108495-01	Burner Clip	1
19	104146-03	Thermocouple	1
20	M9900-183	Wire Assembly	2
21	100898-01	Thin Hex Nut	2
22	097968-06	Screw	2
23	NPC-00BP	Nut	2
24	108513-01	Ignitor Electrode	1
25	M11084-49	Screw, #8-18 AB x .25" SS	1
26	M11084-48	Screw, #10-16 x .50" SS	5
27	099393-03	Control Knob	1

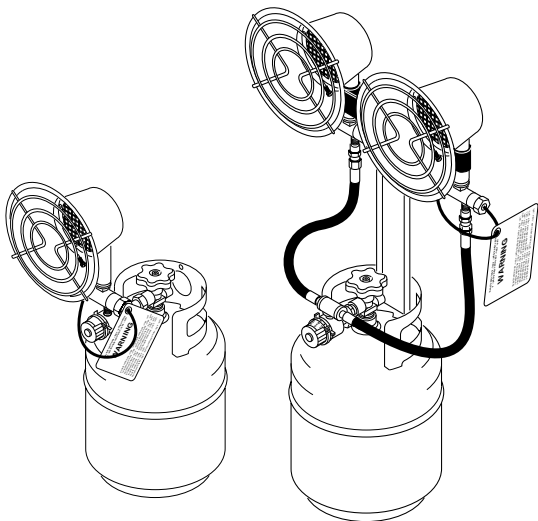
HEATING SOLUTIONS FOR ANY NEED



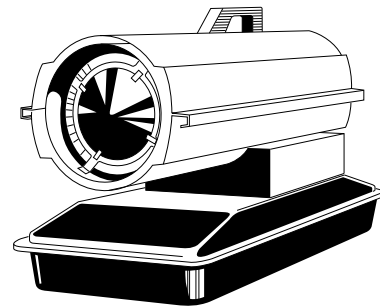
PROPANE FORCED AIR HEATERS



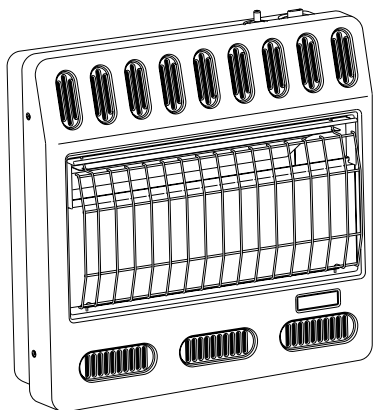
PROPANE CONVECTION HEATERS



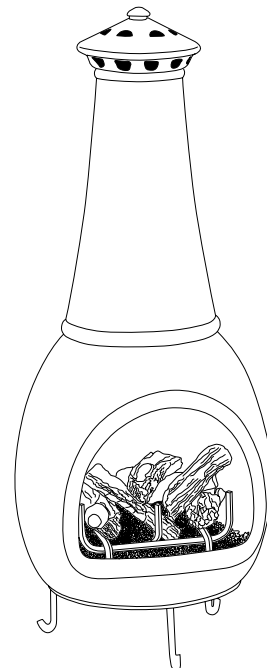
PROPANE TANK TOP HEATERS



PORTABLE KEROSENE FORCED AIR HEATERS



PROPANE AND NATURAL GAS GARAGE HEATERS



PROPANE AND NATURAL GAS CHIMENEAS

OWNER'S REGISTRATION FORM

Complete registration form and mail or complete on-line registration at www.desatech.com within 30 days after purchase.

Brand: _____ (Reddy Heater, Master, Remington, etc.)
 Model: _____ (R60, HD15, etc.)
 Date Purchased: _____ Note: Keep receipt for warranty verification.
 Serial Number: _____ 7 or 9 digit number located on product or identification tag.
 First Name: _____ Last Name: _____
 Address: _____
 City: _____ State: _____ Zip: _____ Country: _____
 Phone: (____) _____ - _____ E-Mail: _____

Please answer the following questions to register your product with DESA Heating Products:

1. Who will heater be used by? Individual Business
2. Will you use your heater in more than one location? Yes No
3. Where will the product be used? (You may select more than one.) Workshop Barn Residential Construction
 Commercial Construction Garage Factory Recreation Warehouse Utility Shed/Outbuilding
 Other _____ (Specify)
4. Cost of product (excluding sales tax)? \$ _____
5. Maintenance/service work will be performed by: Self Service Center Other _____
6. If you bought this product yourself, did you plan to purchase this type of product before going into the store? Yes No
7. Type of store where product was purchased? Hardware Propane Dealer Natural Gas/Utility Co. Home Center or Builder's Supply
 Farm/Ag. Supply Auto Parts Warehouse Club Industrial/Contractor Supply Rental Store
 Discount Store HVAC Dealer Other _____
8. What is your primary source of heat? Propane (LP Gas) Natural Gas Kerosene Diesel Electric Other _____
9. What motivated you to buy this product? Sudden Cold Weather Replace Older Model D.I.Y. Home Project Emergency Back-Up Heat
 Heater on Sale Construction Project Hard to Heat Location Other _____
10. How did you learn about this product brand? Advertisement Relative or Friend Co-Worker Store Representative
 Store Display Previously Owned a Heater Other _____ (Specify)
11. What other brands did you consider? None Master Remington All-Pro Dayton Universal Mr. Heater L.B. White Tradesman
 John Deere Dyna-Glo Dura-Heat Paulin Coleman Vogelzang American Other _____
12. Who selected the product? Male Female Both
13. Level of Education of Purchaser: High School Vocation/Technical School Some College Completed College Graduate School
14. Age of Purchaser: Under 20 20 - 29 30 - 39 40 - 49 50 - 59 60 or Over
15. Buyer's total annual household income: Under \$19,999 \$20,000 to \$34,999 \$35,000 to \$49,999
 \$50,000 to \$74,999 \$75,000 to \$99,999 \$100,000 and Over
16. What is the population of your area? Under 10,000 10,000 to 25,000 25,000 to 50,000 50,000 to 100,000
 100,000 to 250,000 Over 250,000
17. Store where product was purchased:
 Name: _____ City: _____ State: _____

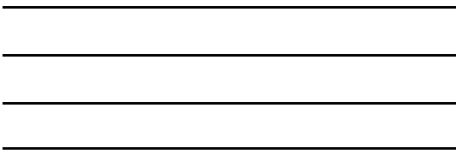
18. In choosing this product, how important were the following:

	Not	Somewhat	Very		Not	Somewhat	Very
Availability	<input type="radio"/>	<input type="radio"/>	<input type="radio"/>	Size	<input type="radio"/>	<input type="radio"/>	<input type="radio"/>
Price	<input type="radio"/>	<input type="radio"/>	<input type="radio"/>	Prior Brand Experience	<input type="radio"/>	<input type="radio"/>	<input type="radio"/>
Brand Name	<input type="radio"/>	<input type="radio"/>	<input type="radio"/>	Built-In Thermostat	<input type="radio"/>	<input type="radio"/>	<input type="radio"/>
Overall Quality	<input type="radio"/>	<input type="radio"/>	<input type="radio"/>	Ease of Operation	<input type="radio"/>	<input type="radio"/>	<input type="radio"/>
Heat Output (Btu/Hr Rating)	<input type="radio"/>	<input type="radio"/>	<input type="radio"/>	Special Features	<input type="radio"/>	<input type="radio"/>	<input type="radio"/>
Variable Heat Output (Btu/Hr)	<input type="radio"/>	<input type="radio"/>	<input type="radio"/>	Salesperson's Recommendation	<input type="radio"/>	<input type="radio"/>	<input type="radio"/>
Made in USA	<input type="radio"/>	<input type="radio"/>	<input type="radio"/>	Friend/Relative's Recommendation	<input type="radio"/>	<input type="radio"/>	<input type="radio"/>
Warranty	<input type="radio"/>	<input type="radio"/>	<input type="radio"/>	Portability	<input type="radio"/>	<input type="radio"/>	<input type="radio"/>
Local Service	<input type="radio"/>	<input type="radio"/>	<input type="radio"/>	Quiet Operation	<input type="radio"/>	<input type="radio"/>	<input type="radio"/>
Value for Price	<input type="radio"/>	<input type="radio"/>	<input type="radio"/>				

19. This question will allow us to better understand the demographic profile of our customers. Which of the following best describes you? (not required)

- African American Asian American Mexican Puerto Rican Cuban Other Hispanic White Other _____

TAPE



Postage
Required

DESA[™]
HEATING PRODUCTS
2701 Industrial Drive
P.O. Box 90004
Bowling Green, KY 42102-9004

TAPE

WARRANTY AND REPAIR SERVICE

LIMITED WARRANTY

DESA Heating Products warrants this product and any parts thereof, to be free from defects in materials and workmanship for one (1) year from the date of first purchase when operated and maintained in accordance with instructions. This warranty is extended only to the original retail purchaser, when proof of purchase is provided.

This warranty covers only the cost of parts and labor required to restore the product to proper operating condition. Transportation and incidental costs associated with warranty repairs are not reimbursable under this warranty.

Warranty service is available only through authorized dealers and service centers.

This warranty does not cover defects resulting from misuse, abuse, negligence, accidents, lack of proper maintenance, normal wear, alteration, modification, tampering, contaminated fuels, repair using improper parts, or repair by anyone other than an authorized dealer or service center. Routine maintenance is the responsibility of the owner.

THIS EXPRESS WARRANTY IS GIVEN IN LIEU OF ANY OTHER WARRANTY EITHER EXPRESSED OR IMPLIED, INCLUDING WARRANTIES OF MERCHANTABILITY AND FITNESS FOR A PARTICULAR PURPOSE.

DESA Heating Products assumes no responsibility for indirect, incidental or consequential damages. Some states do not allow the exclusion or limitation of incidental or consequential damages or limitations or exclusions may not apply to you. This Limited Warranty gives you specific legal rights and you may also have other rights which vary from state to state.

This warranty does not cover discoloration due to operation of heater. We reserve the right to amend these specifications at any time without notice. The only warranty applicable is our standard written warranty. We make no other warranty, expressed or implied.

WARRANTY SERVICE

Should your heater require service, return it to your nearest authorized service center. Proof of purchase must be presented with the heater. The heater will be inspected. A defect may be caused by faulty materials or workmanship. If so, DESA Heating Products will repair or replace the heater without charge.

REPAIR SERVICE

Return the heater to your nearest authorized service center. Each Service Center is independently owned and operated. Repairs not covered by the warranty will be billed at standard prices. We reserve the right to amend these specifications at any time without notice.

For information about this warranty write:



2701 Industrial Drive
P.O. Box 90004
Bowling Green, Kentucky 42102-9004
www.desatech.com

For more information, visit www.desatech.com

Para obtener más información, visite www.desatech.com

Controles ajustables de temperatura:

Baja: 20.000 Btu

Alta: 24.000 Btu

⚠ ADVERTENCIA: Para uso en exteriores solamente

⚠ ADVERTENCIA: Lea y comprenda este manual antes de ensamblar, encender o dar servicio al calentador. El uso incorrecto del calentador puede ocasionar lesiones serias, daños a propiedades o la muerte. Conserve este manual para referencia futura.

PARA SU SEGURIDAD

Si huele a gas:

1. Cierre el paso de gas al aparato.
2. Apague todas las llamas.
3. Si el olor continúa, llame inmediatamente a su proveedor de gas.

PARA SU SEGURIDAD

No almacene ni use gasolina u otros vapores y líquidos inflamables cerca de éste o de cualquier otro aparato.



LISTADO

Calentador infrarrojo para patios
encendido con gas
28BN

Llene para sus registros

Nº de modelo _____
(Ubicado en el panel lateral)

Nº de serie _____
(Ubicado cerca del encendedor piezoeléctrico)

Fecha de compra _____



Guarde este manual para futura referencia.

TABLA DE CONTENIDO

INFORMACIÓN DE SEGURIDAD	14	MANTENIMIENTO	19
DESEMPAQUE	15	PIEZAS DE REPUESTO	19
HERRAMIENTAS REQUERIDAS	16	SOLUCIÓN DE PROBLEMAS	20
ENSAMBLAJE	16	SERVICIO TÉCNICO	20
OPERACIÓN	18	CLASIFICACIÓN ILUSTRADA DE PIEZAS Y LISTA DE PIEZAS	21
ALMACENAMIENTO	19	GARANTÍA Y SERVICIO DE REPARACIÓN	Contraportada

INFORMACIÓN DE SEGURIDAD

⚠️ ADVERTENCIAS

⚠️ ADVERTENCIA: Este producto contiene y/o genera químicos que el Estado de California reconoce que causan cáncer, defectos de nacimiento u otros daños relacionados con la reproducción.

⚠️ ADVERTENCIA: Peligro de fuego, quemaduras, inhalación y explosión. Mantenga los combustibles sólidos, como materiales de construcción, madera, forros de vinilo, papel o cartón a una distancia segura del calentador, como lo recomiendan las instrucciones. Nunca use el calentador en espacios que contengan o que puedan contener combustibles volátiles o transportados por aire o productos como gasolina, solventes, diluyente de pintura, partículas de polvo o químicos desconocidos.

⚠️ ADVERTENCIA: La instalación, ajuste, servicio o mantenimiento inadecuados pueden ocasionar lesiones, daños a propiedades o la muerte. Lea las instrucciones de instalación, operación y mantenimiento completamente antes de instalar o de dar servicio a este equipo.

El calentador está diseñado para usarse como un calentador infrarrojo para patios de acuerdo con los requisitos aplicables CSA 5.90 U.S para calentadores infrarrojos para patios y con los requisitos del esquema de investigación de UL para calentadores infrarrojos para patios de gas que funcionan a altas presiones. Otros estándares rigen el uso de gases combustibles y productos de calefacción para usos específicos. Su autoridad local puede informarle sobre éstos. El propósito principal de los calentadores externos para patios es proporcionar calefacción a espacios residenciales y no residenciales. Cuando se usa correctamente, el calentador proporciona calefacción económica y segura.

No podemos prever todos los usos que se les pueden dar a nuestros calentadores. **VERIFIQUE CON LA AUTORIDAD LOCAL DE SEGURIDAD CONTRA INCENDIOS SI TIENE PREGUNTAS ACERCA DEL USO DE CALENTADORES.**

Intoxicación con monóxido de carbono: El monóxido de carbono afecta más a algunas personas que a otras. Los signos iniciales de la intoxicación con monóxido de carbono se parecen a los de la gripe, con dolores de cabeza, mareos y/o náusea. Si usted presenta estos signos, es posible que el calentador no esté funcionando correctamente. **¡Obtenga aire fresco inmediatamente!** Haga que le den servicio al calentador.

Gas propano/LP: El gas propano/LP no tiene olor. Al gas propano/LP se le agrega un agente oloroso. El olor le ayuda a detectar una fuga de gas propano/LP. Sin embargo, el olor que se añade al gas propano/LP puede dispersarse. Es posible que haya gas propano/LP presente aunque no haya ningún olor.

Asegúrese de leer y comprender todas las advertencias. Conserve este manual para referencia. Es su guía para la operación segura y correcta de este calentador.

- Instale y use el calentador cuidadosamente. Siga las ordenanzas y los códigos locales. Si no hay ordenanzas ni códigos locales, consulte el *Estándar para el almacenamiento y manejo de gas de petróleo licuado, ANSI/NFPA 58*. Éste le instruye sobre cómo almacenar y usar el gas propano/LP de forma segura.
- Use sólo gas propano/LP con extracción de vapores en un cilindro de 9,08 kg (20 lb). El cilindro debe estar fabricado y marcado de acuerdo con las especificaciones para cilindros de gas propano/LP del DOT (Department of Transportation [Departamento de Transporte]) de EE.UU. El cilindro debe contar con una válvula de retención que termine en una conexión de salida de la válvula del cilindro de suministro de gas propano/LP. La válvula debe tener roscas externas y debe estar marcada con la leyenda "Use with Type 1" (Usar con tipo 1), así como un dispositivo de alivio de presión de seguridad que se comunique directamente con el espacio del vapor del cilindro. El cilindro usado debe incluir un collarín para proteger la válvula del cilindro.
- Para uso en exteriores solamente. No use el calentador en interiores ni en ninguna otra área no ventilada o cerrada. Este calentador usa oxígeno. No lo use en áreas no ventiladas o cerradas, en las que podría producirse una intoxicación por monóxido de carbono.
- No use el calentador en un sótano o debajo del nivel del suelo. El gas propano/LP es más pesado que el aire. Si se produce una fuga, el gas propano/LP se asentará en el nivel más bajo posible.
- Mantenga el área cerca del aparato libre de materiales combustibles, diluyentes para pintura y otros vapores y líquidos inflamables. El polvo es combustible. No use el calentador en áreas con un contenido alto de polvo.
- Distancias mínimas entre el calentador y combustibles: Parte trasera: 45,72 cm (18 pulgadas); Partes superior, delantera y laterales: 106,68 cm (42 pulgadas) (consulte la figura 1, página 15).
- Antes de cada uso, verifique si el calentador tiene alguna fuga. Nunca use una llama al aire libre para verificar una fuga. Aplique una mezcla de jabón líquido y agua en todas las uniones. La formación de burbujas indica una fuga. Corrija todas las fugas inmediatamente.
- Mantenga el cilindro de gas propano/LP por debajo de 38°C (100°F).
- Use sólo la manguera y el regulador preestablecido en la fábrica que se proporcionan con el calentador. No ajuste el regulador, ya que se podrían producir fugas de gas.

INFORMACIÓN DE SEGURIDAD

Continuación

- Verifique la manguera antes de cada uso del calentador. Desconecte la manguera con una llave de 1.43 cm (9/16 de pulgada). Jale la manguera hacia abajo hasta la base y revise si hay desgarres o abrasiones en la manguera o en el regulador. Si la manguera está muy desgastada o con roturas, reemplácela con una manguera especificada por el fabricante antes de usar el calentador.
- No altere el calentador. Manténgalo en su estado original.
- No use el calentador si ha sido alterado.
- Coloque el calentador sobre una superficie estable y nivelada.
- No opere el calentador mientras duerme ni lo deje sin atención.
- Evite que los niños y los animales se acerquen al calentador.
- Nunca mueva, maneje o brinde servicio a un calentador caliente o en funcionamiento. Pueden producirse quemaduras serias. Debe esperar 20 minutos después de apagar el calentador.
- Para evitar lesiones, use guantes cuando maneje el calentador.
- Cierre la válvula del calentador y el suministro de gas al mismo cuando no lo use.
- Use sólo piezas de repuesto originales. Este calentador debe usar piezas diseñadas específicamente. No las sustituya ni use piezas genéricas. El uso de piezas de repuesto inadecuadas puede ocasionar lesiones serias o fatales.
- Siempre quite la manguera de gas del cilindro de propano/LP después de cada uso. Siempre almacene el cilindro de propano/LP en el exterior. Nunca guarde el cilindro de propano/LP en un área cerrada. Nunca almacene el cilindro cerca de fuentes de calor intenso, flamas o donde la temperatura exceda 38°C (100° F).
- Ciertos materiales o artículos, cuando se almacenan debajo del calentador, estarán sujetos a calor de radiación y podrían dañarse seriamente.
- Apague el calentador inmediatamente si se produce un golpe de fuego (llamas dentro del tubo del quemador). Haga que le den servicio al calentador.
- No cuelgue ropa ni otros materiales inflamables en el calentador o cerca del mismo.
- Nunca intente usar un calentador ni ningún componente que se haya dañado o haya estado expuesto a fuego accidental.
- Si el interruptor de alerta se activa, gire la válvula a la posición APAGADO y espere 5 minutos a que se enfríe antes de volver a encenderlo.
- Si huele gas o sospecha que hay una fuga, cierre la válvula del cilindro de propano/LP inmediatamente. Ventile el área. No encienda cerillos ni cree ninguna llama o chispa eléctrica. Encuentre y corrija la fuga antes de intentar encender ningún aparato.
- No bloquee las aberturas de toma de aire, consulte la figura 12, página 18.
- Todas las cubiertas o dispositivos de protección que se hayan desmontado para dar servicio al calentador se deben volver a colocar antes de hacerlo funcionar.
- La temperatura de las superficies es muy alta cuando el calentador está funcionando. Los niños y los adultos deben mantenerse alejados para evitar quemaduras o que se encienda la ropa.
- Los niños pequeños se deben supervisar cuidadosamente cuando estén en el área del calentador.

- Una persona de servicio calificada debe realizar la instalación y las reparaciones. Una persona de servicio calificada debe inspeccionar el calentador antes de usarse y al menos una vez al año. Es posible que se requiera limpiezas más frecuentes según sea necesario. Es imperativo mantener limpios los compartimientos de control, los quemadores y las vías de circulación de aire del calentador.
- Limpie el interior de la caja de control regularmente. Quite los tornillos de la caja de control para abrirla. Limpie el área con las manos o con un paño húmedo. Vuelva a instalar la caja de control.

⚠ PRECAUCIÓN: Se debe usar el regulador de presión del gas proporcionado con este aparato. Este regulador está establecido para una presión de salida de 123,4 cm (48,6 pulgadas) W.C. (1,8 P.S.I.).

- Especificaciones:
Presión mínima de admisión de gas: 27,9 cm (11 pulgadas) W.C.
Presión máxima de admisión de gas: 137,2 cm (54 pulgadas) W.C.
Presión requerida del múltiple: 123,4 cm (48,6 pulgadas) W.C.
- No se proporciona el cilindro de gas propano/LP. Use un cilindro marcado de gas propano/LP de 9,08 kg (20 lb). El sistema de suministro del cilindro debe estar arreglado para la extracción de vapores. El cilindro usado debe incluir un collarín para proteger la válvula del cilindro. El cilindro debe tener una válvula de retención que termine en una conexión de salida de la válvula del cilindro de suministro de gas propano/LP especificada, si es aplicable, para el número de conexión. 510 en la *Estándar para conexiones de entrada y de salida de válvulas de cilindros de gas comprimido*, ANSI/CGA-V-1 ó para el número de conexión. 600 en la *Conexión limitada estándar de salida de válvulas de cilindros para serie de propano de válvulas pequeñas* de la Compressed Gas Association (Asociación de gas comprimido) o para una combinación de válvula de cilindro de gas propano/LP y ensamblaje de desconexión rápida que cumpla con 1.16.5-c y un dispositivo de alivio de presión de seguridad que se comunique directamente con el espacio del vapor del cilindro.

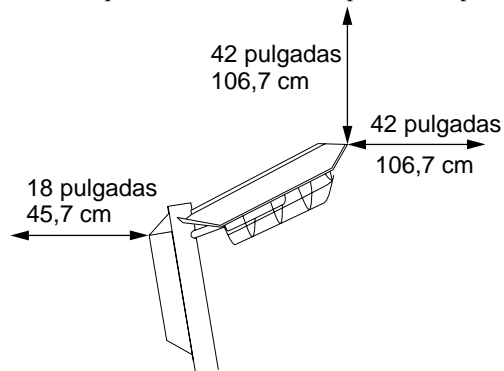


Figura 1: Distancias a combustibles

DESEMPAQUE

1. Retire todos los elementos de empaque aplicados al calentador para su envío.
2. Retire todos los elementos de la caja.
3. Revise todos los elementos para ver si hay daños debidos al transporte. Si el calentador está dañado, informe de inmediato al distribuidor a quien lo compró.

HERRAMIENTAS REQUERIDAS

- Desatornillador Phillips #2
- Llave fija de 1,43 (9/16 de pulgada)

ENSAMBLAJE

Ensamble el calentador en el lugar aproximado en el que se usará para minimizar su movimiento una vez armado.

1. Coloque la base sobre el suelo con el lado abierto hacia abajo.
2. Ubique el recubrimiento derecho e izquierdo. Coloque uno en la base y asegúrelo usando los 5 tornillos que se proporcionan. Repita para el otro lado (consulte la figura 2).
3. Ubique el recubrimiento central. El recubrimiento central tiene una inclinación en la parte inferior y un orificio a ambos lados de la parte delantera en la parte superior. Deslice los broches J sobre los orificios del lado abierto del recubrimiento central con el lado corto hacia la parte exterior del recubrimiento central (consulte la figura 3).

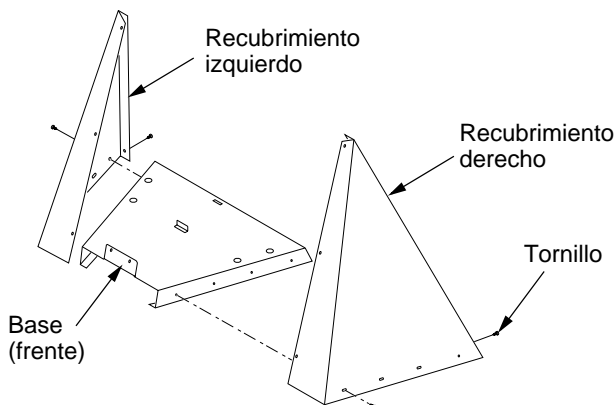


Figura 2: Unión de los recubrimientos izquierdo y derecho a la base

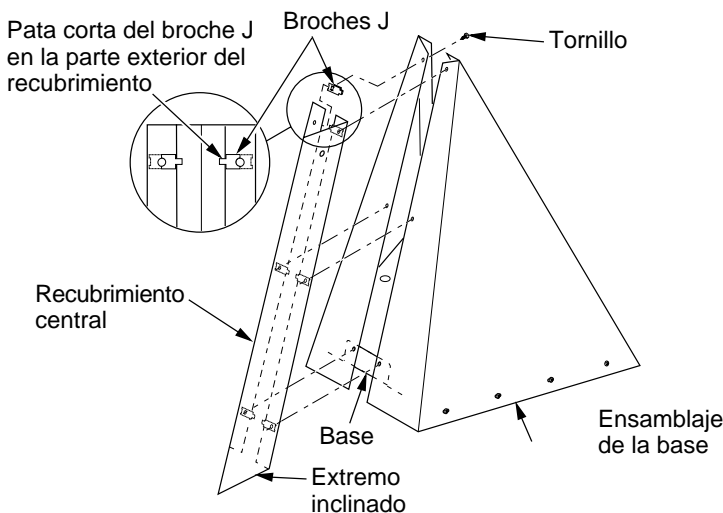


Figura 3: Unión del recubrimiento central al ensamblaje de la base

4. Alinee los orificios del recubrimiento central con los orificios en los recubrimientos izquierdo y derecho. Usando los tornillos que se proporcionan, una el recubrimiento central a los recubrimientos izquierdo y derecho y a la base desde adentro del ensamblaje (consulte la figura 4).
5. Inserte la placa posterior a través del ensamblaje de la base y los recubrimientos y únala a los recubrimientos izquierdo y derecho con los 4 tornillos que se proporcionan (consulte la figura 5). La placa posterior estará debajo de los rebordes de los recubrimientos, como se muestra en la figura 5.

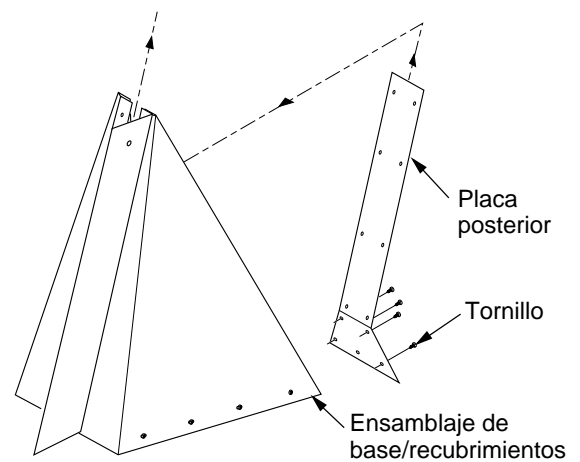


Figura 4: Unión de la placa posterior

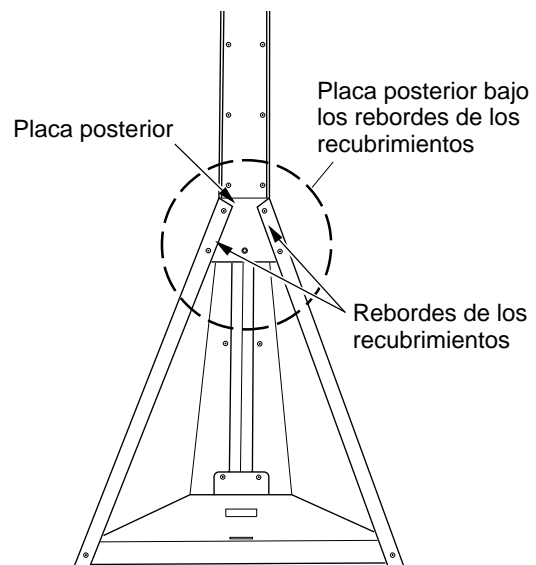


Figura 5: Ubicación de la placa posterior

ENSAMBLAJE

Continuación

6. Coloque el bastidor inferior dentro del ensamblaje de la base (consulte la figura 6). La parte inferior del bastidor inferior tiene una sección recortada que se desliza en el ensamblaje de la base. Usando los 10 tornillos que se proporcionan, una el bastidor al ensamblaje de la base y a la placa posterior.
7. Quite los 4 tornillos de la cubierta de control en la parte posterior del ensamblaje del bastidor superior (consulte la figura 7). Jale la cubierta de control cuidadosamente para separarla del ensamblaje y desconecte el cable del electrodo del encendedor piezoeléctrico. El encendedor permanecerá ensamblado a la cubierta de control.
8. Deslice el ensamblaje del bastidor superior sobre el bastidor inferior e instálelo usando los 4 tornillos que se proporcionan (consulte la figura 8).
9. Usando el ensamblaje de manguera y regulador proporcionado, dirija la manguera hacia arriba a través del bastidor desde adentro del ensamblaje de la base. Atornille la conexión de la manguera a la entrada de la válvula y aprétela con una llave fija de 1,43 cm (9/16 de pulgada) (consulte la figura 9).
10. Usando sólo un cilindro de propano/LP de 9,08 kg (20 lb), no incluido (consulte la información de seguridad para ver cómo seleccionar el cilindro adecuadamente), conecte el ensamblaje de manguera/regulador al cilindro (consulte la figura 10). Cuando conecte el ensamblaje del regulador a la válvula del cilindro, apriete la tuerca con la mano hacia la derecha hasta un tope fijo. NO use una llave para apretarla. El uso de una llave puede dañar las tuercas de acoplamiento de cerrado rápido y provocar una condición peligrosa.

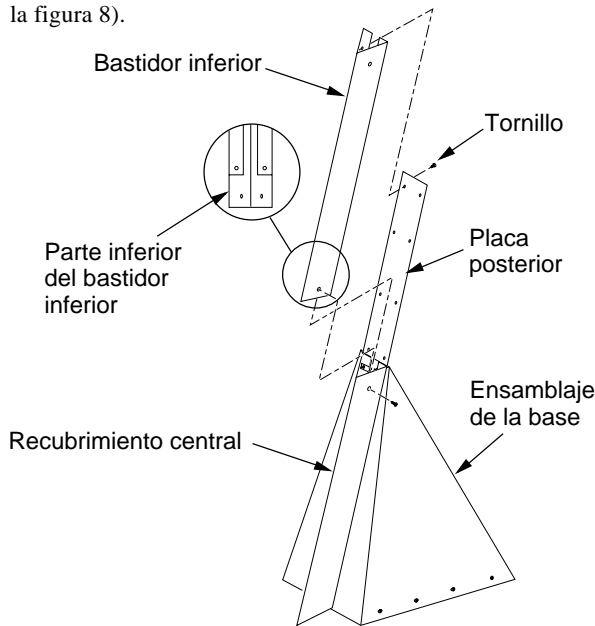


Figura 6: Unión del bastidor inferior

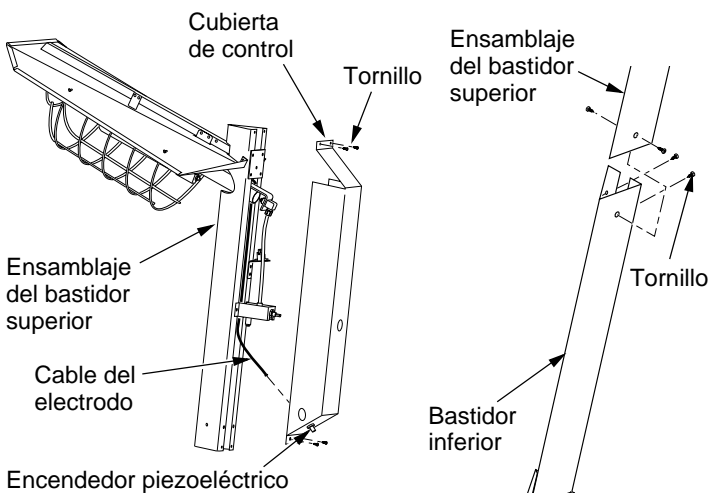


Figura 7: Desmontaje de la cubierta de control

Figura 8: Unión del ensamblaje del bastidor superior

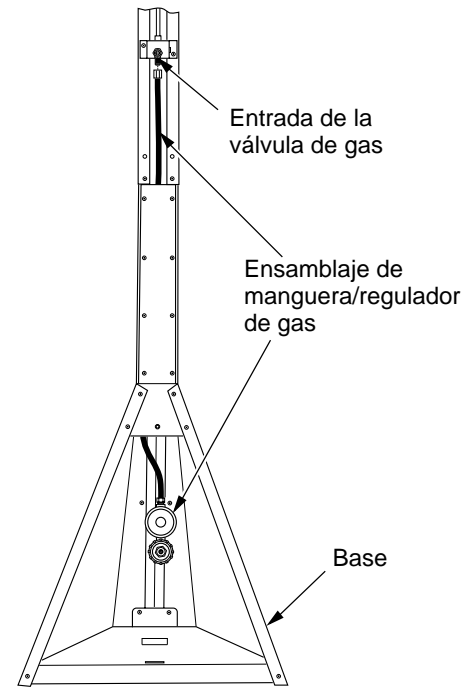


Figura 9: Instalación del ensamblaje de manguera y regulador

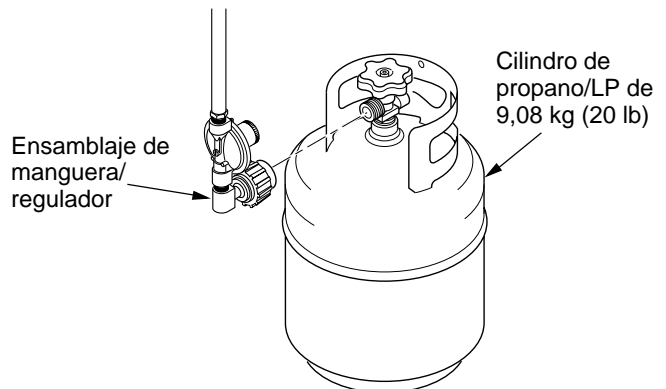


Figura 10: Conexión del ensamblaje de manguera/regulador al cilindro de propano/LP

ENSAMBLAJE

Continuación

- Coloque el cilindro dentro de la base con el regulador hacia el frente del ensamblaje de la base. Asegúrese de que el collarín inferior del cilindro esté frente a la lengüeta de la base (consulte la figura 11).
- Verifique que la válvula del calentador esté en la posición OFF (APAGADO).
- Gire la válvula de suministro del cilindro completamente en el sentido inverso al de las manecillas del reloj, a la posición OPEN (ABRIR).
- Use una solución de agua jabonosa para revisar todas las conexiones en busca de fugas antes de intentar encender el calentador. Si se encuentra una fuga, gire la válvula del cilindro a CLOSE (CERRAR) y no lo use hasta que todas las fugas se hayan corregido.

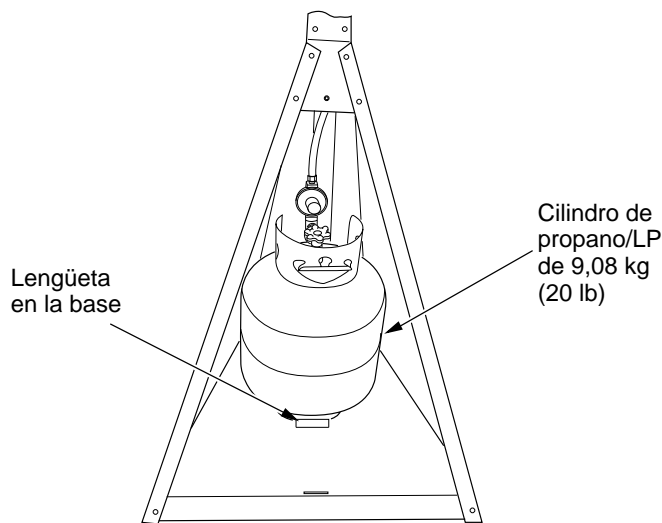


Figura 11 - Instalación del cilindro de propano/LP

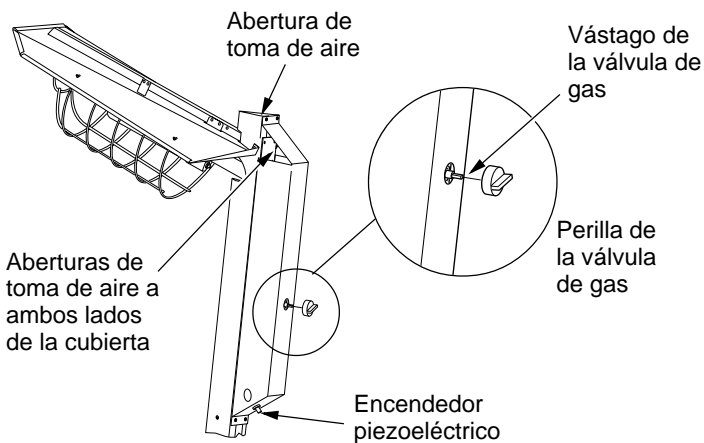


Figura 12: Instalación de la perilla de la válvula de gas

- Gire la válvula de suministro del cilindro completamente hacia la derecha a la posición CLOSE (CERRAR).
- Conecte el cable del encendedor de nuevo al encendedor piezoeléctrico y vuelva a colocar la cubierta de control (consulte la figura 7, página 5).
- Instale la perilla en el vástago de la válvula de gas, alineando "d-plano" (consulte la figura 13).
- Instale el tornillo con pivote, que se proporciona, en el orificio central de la parte inferior de la placa posterior (consulte la figura 13).
- Coloque la cubierta del cilindro sobre este tornillo mientras inserta la lengüeta en la base (consulte la figura 13).

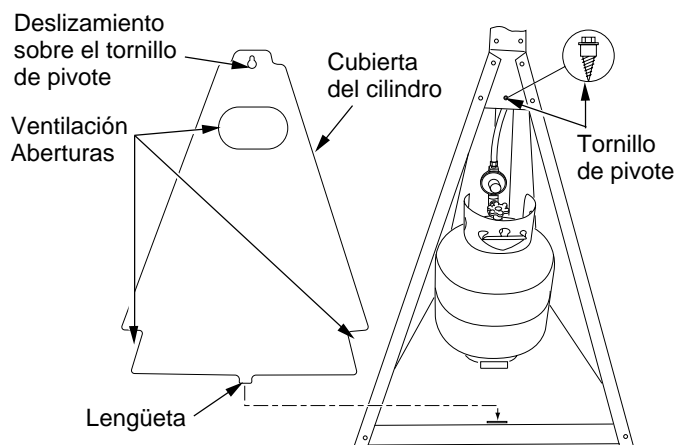


Figura 13: Instalación de la cubierta del cilindro

OPERACIÓN

INSTRUCCIONES DE ENCENDIDO

- Desmonte la cubierta del cilindro levantándola y separándola.
- Usando sólo un cilindro de propano/LP de 9,08 kg (20 lb), no incluido (consulte la información de seguridad para ver cómo seleccionar el cilindro adecuadamente), conecte el ensamblaje de manguera/regulador al cilindro (consulte la figura 10, página 5). La manguera ya debe estar conectada al calentador. Cuando conecte el ensamblaje del regulador a la válvula del cilindro, apriete la tuerca con la mano hacia la derecha hasta un tope fijo. NO use una llave para apretarla. El uso de una llave puede dañar las tuercas de acoplamiento de cerrado rápido y provocar una condición peligrosa.
- Coloque el cilindro dentro de la base con el regulador hacia el frente del ensamblaje de la base. Asegúrese de que el collarín inferior del cilindro esté frente a la lengüeta de la base (consulte la figura 11).
- Gire la válvula del calentador a la posición OFF (APAGADO).
- Gire la válvula de suministro del cilindro completamente en el sentido inverso al de las manecillas del reloj, a la posición OPEN (ABRIR).
- Use una solución de agua jabonosa para revisar la conexión en busca de fugas antes de intentar encender el calentador. Si se encuentra una fuga, gire la válvula del cilindro a CLOSE (CERRAR) y no lo use hasta que todas las fugas se hayan corregido.

OPERACIÓN

Continuación

- Vuelva a colocar la cubierta del cilindro, deslizándola sobre el tornillo de pivote mientras inserta la lengüeta en la base (consulte la figura 13, página 18).
- Oprima la perilla hacia adentro y gire el contador hacia la derecha a la posición PILOT (PILOTO).
- Oprima la perilla hacia adentro y oprima rápidamente el botón IGNITOR (ENCENDEDOR) (consulte la figura 14). Repita hasta que el calentador se encienda. Esto se puede hacer fácilmente, colocando el dedo índice en el orificio de acceso a la izquierda de la cubierta de control y oprimiendo el encendedor con el pulgar (consulte la figura 14).
- Continúe oprimiendo la perilla durante 30 segundos aproximadamente. El calentador debe permanecer encendido en el valor LOW (BAJO).
- Para obtener más calor, oprima la perilla y gírela en el sentido inverso al de las manecillas del reloj, al valor HIGH (ALTO).
- Si va a VOLVER A ENCENDER el calentador, espere 5 minutos a que se enfríe y a que se disperse el gas y luego siga los pasos 4 a 11.

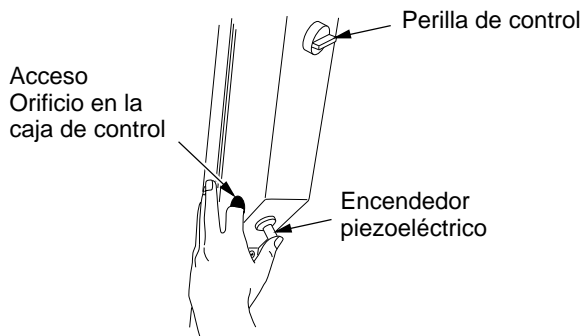


Figura 14: Ubicaciones del encendedor piezoeléctrico y de la perilla de control

INSTRUCCIONES DE APAGADO

- Oprima la perilla de control y gírela hacia la derecha a la posición OFF (APAGADO).
- Cierre la válvula del cilindro de propano/LP (gire la perilla hacia la derecha).

ALMACENAMIENTO

PRECAUCIÓN: Desconecte el calentador del cilindro de suministro de propano/LP.

- No guarde el calentador mientras está conectado al cilindro de propano/LP. Cierre la válvula del cilindro. Desmonte el ensamblaje de manguera/regulador del cilindro de propano/LP, girando la tuerca del conector del gas combustible hacia la derecha.
- Almacene el cilindro de propano/LP de forma segura. Consulte el capítulo 5 de *Estándar para almacenar y manejar gases de petróleo licuados, ANSI/NFPA 58*. Siga todos los códigos locales. Siempre almacene los cilindros de propano/LP en el exterior. Nunca guarde el cilindro de propano/LP en un área cerrada.
- Almácelo en un lugar seco, limpio y seguro.

MANTENIMIENTO

ADVERTENCIA: Nunca intente dar servicio a un calentador mientras está conectado al suministro de propano/LP, funcionando o caliente. Pueden producirse quemaduras serias. Todas las cubiertas o dispositivos de protección que se hayan desmontado para dar servicio al calentador se deben volver a colocar antes de hacerlo funcionar.

- Mantenga el calentador limpio. Limpie toda la suciedad de las aberturas de ventilación (consulte las figuras 12 y 13, página 18).
- Inspeccione al calentador antes de cada uso. Revise las conexiones en busca de fugas. Aplique una mezcla de jabón líquido y agua en todas las conexiones. La formación de burbujas indica una fuga que se debe corregir. Corrija todas las fugas inmediatamente.
- Inspeccione el ensamblaje de manguera/regulador antes de cada uso. Si la manguera está muy desgastada o con roturas, reemplácela inmediatamente. Al menos una vez al año, desmonte el ensamblaje de manguera/regulador del calentador para inspeccionar toda la manguera.
- Las arañas y los insectos pueden ocasionar una condición peligrosa que podría dañar el calentador o hacerlo inseguro. Mantenga el área del quemador sin arañas, telas de araña o insectos.
- Haga que una persona de servicio calificada inspeccione el calentador una vez al año.

PIEZAS DE REPUESTO

ADVERTENCIA: Use sólo piezas de repuesto originales. Este calentador debe usar piezas diseñadas específicamente. No las sustituya ni use piezas genéricas. El uso de piezas de repuesto inadecuadas puede ocasionar lesiones serias o fatales. Esto también protegerá la cobertura de su garantía para piezas reemplazadas con garantía.

PIEZAS CON GARANTÍA

Comuníquese con los distribuidores autorizados de este producto. Si no pueden suministrar piezas de repuesto originales, comuníquese con la Central de piezas más cercana o llame al Departamento de servicio técnico de DESA Heating Products al 1-866-672-6040.

Cuando llame a DESA Heating Products, tenga listo

- su nombre
- su dirección
- los números de modelo y de serie de su calentador
- la fecha de compra
- la falla del calentador

En la mayoría de los casos, le pediremos que regrese la pieza a la fábrica.

PIEZAS SIN GARANTÍA

Comuníquese con los distribuidores autorizados de este producto. Si no pueden suministrar piezas de repuesto originales, comuníquese con la Central de piezas más cercana listada en el folleto de Centros de servicio autorizados que se proporciona con el calentador o llame a DESA Heating Products al 1-866-672-6040 para obtener información de referencia.

Cuando llame a DESA Heating Products, tenga listo

- el número de modelo de su calentador
- el número de la pieza de repuesto

SOLUCIÓN DE PROBLEMAS

Es posible que tenga preguntas adicionales acerca de este calentador. Si es así, comuníquese con el Departamento de Servicio Técnico de DESA Heating Products al 1-866-672-6040 ó visite nuestro sitio web en www.desatech.com.

⚠ ADVERTENCIA: Nunca intente dar servicio a un calentador mientras está conectado al suministro de propano/LP, funcionando o caliente. Pueden producirse quemaduras serias.

SÍNTOMA	CAUSA POSIBLE	SOLUCIÓN
El quemador no se enciende	<ol style="list-style-type: none"> 1. La válvula del suministro de propano/LP está cerrada en el cilindro de propano/LP 2. Bloqueo en el quemador/codo del orificio/ensamblaje de manguera y regulador 3. El sistema de encendido piezoeléctrico no produce chispa 	<ol style="list-style-type: none"> 1. Abra la válvula del suministro de propano/LP lentamente 2. Limpie el quemador/reemplace el codo del orificio/ensamblaje de manguera y regulador 3. Verifique que el espacio del electrodo del encendedor sea de 5,08 mm (0,20 pulgadas). Revise el cable conductor en busca de daños. Reemplace el encendedor piezoeléctrico y/o el electrodo del encendedor, según sea necesario
El quemador se enciende pero se apaga cuando se suelta el botón de la válvula de control automático	<ol style="list-style-type: none"> 1. El tiempo de calentamiento no es suficiente 2. Presión del gas baja 3. El termopar está flojo o se debe reemplazar 4. La válvula de control automática se debe reemplazar 	<ol style="list-style-type: none"> 1. Vuelva a encender, sostenga el botón de la válvula de control automático oprimido 30 segundos 2. Revise el cilindro de propano/LP para ver si el suministro de gas es correcto 3. Apriete la conexión o reemplace el termopar 4. Reemplace el ensamblaje de la válvula de control automático
La tasa máxima de encendido es baja	<ol style="list-style-type: none"> 1. Presión del gas baja 2. Suministro de combustible bajo 3. Restricción en el quemador/codo del orificio/ensamblaje de manguera y regulador 	<ol style="list-style-type: none"> 1. Verifique el suministro de gas; verifique la salida del regulador 2. Consulte al proveedor de gas propano/LP 3. Limpie el quemador/reemplace el codo del orificio/ensamblaje de manguera y regulador

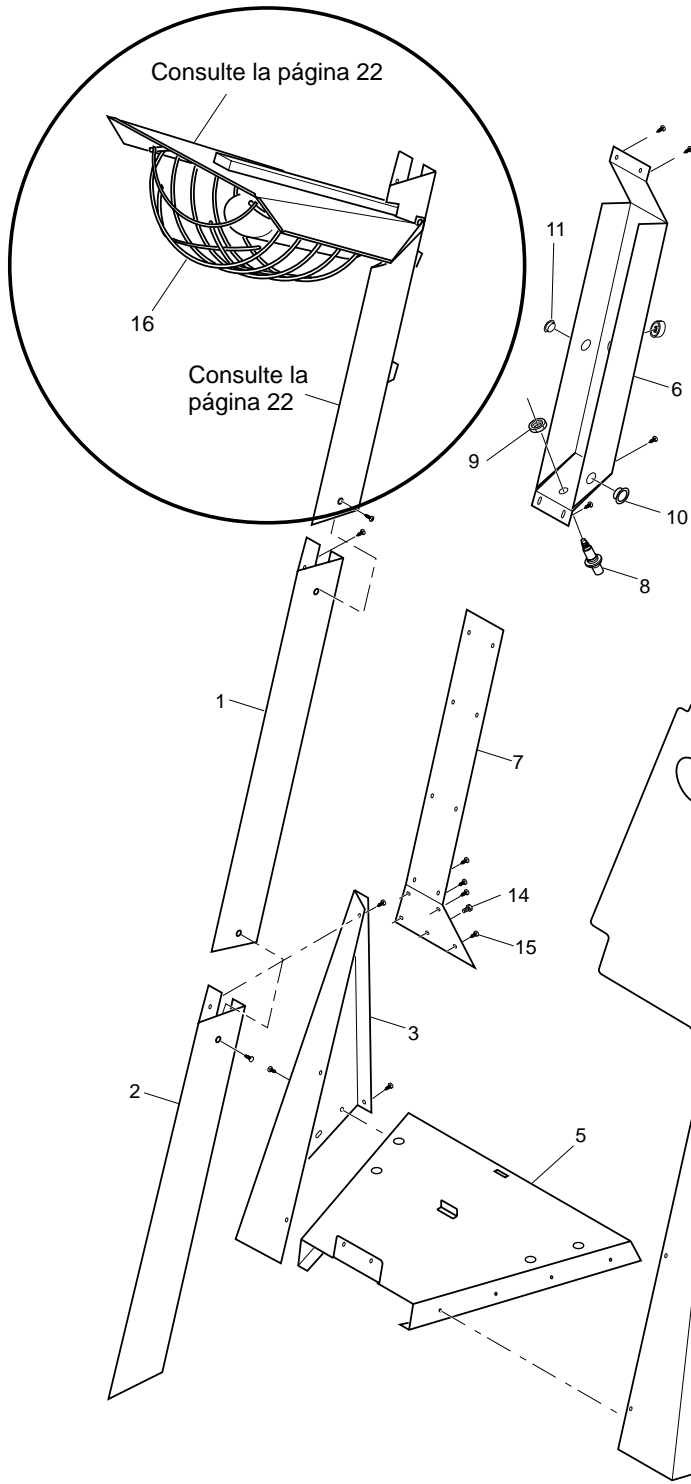
SERVICIO TÉCNICO

Es posible que tenga preguntas adicionales sobre la instalación, la operación o la solución de problemas. Si es así, comuníquese con el Departamento de Servicio Técnico de DESA Heating Products al 1-866-672-6040. Cuando llame, tenga listo los números de modelo y de serie de su calentador.

También puede visitar el sitio web de servicio técnico de DESA Heating Products en www.desatech.com.

CLASIFICACIÓN ILUSTRADA DE PIEZAS

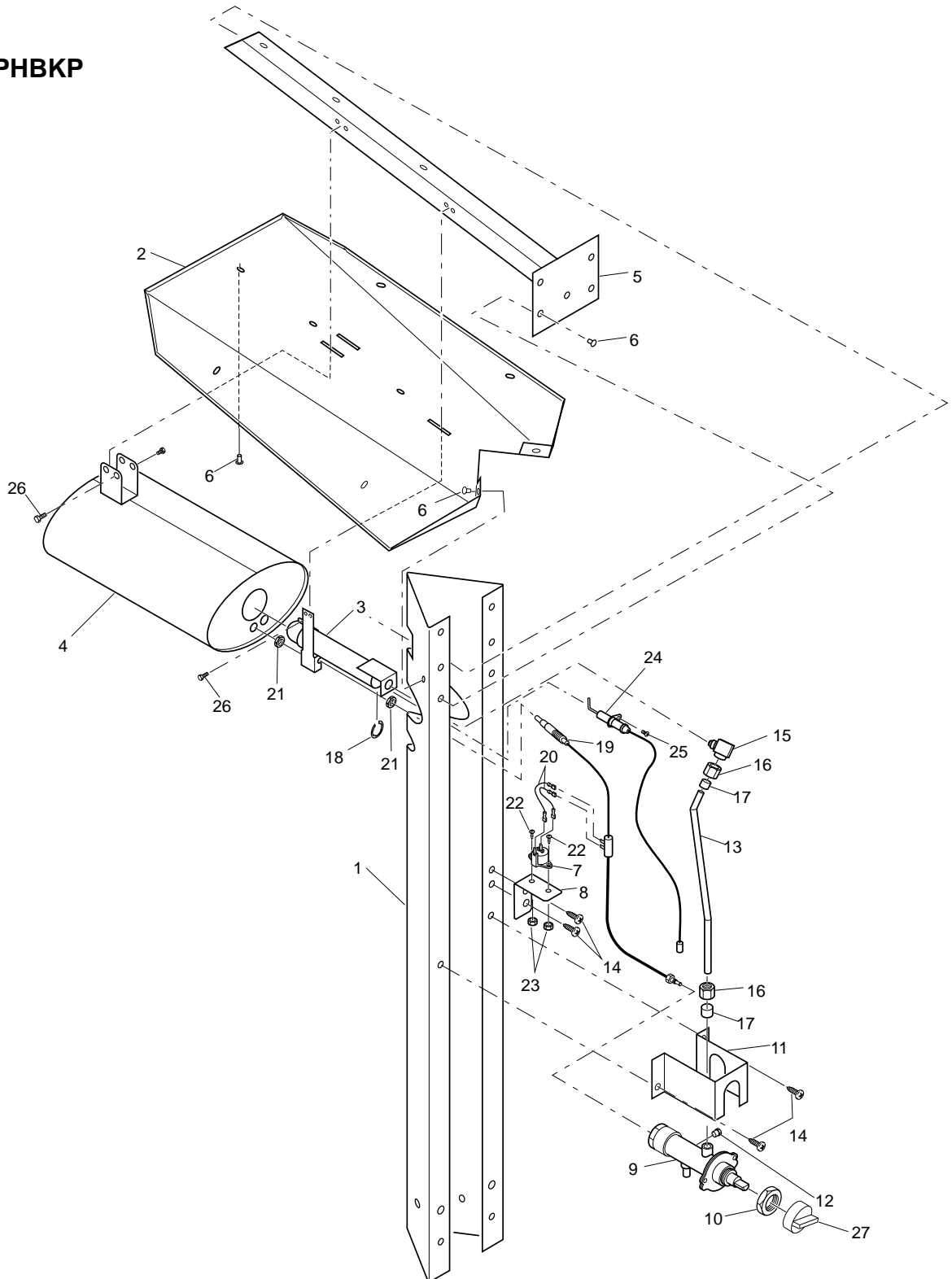
MODELOS VPHBKP Y OLPHBKP



CLAVE NO.	PIEZA NÚMEROS	DESCRIPCIÓN	CANTIDAD
1	107384-01	Bastidor inferior	1
2	108191-01	Centro de recubrimiento	1
3	108189-01	Recubrimiento izquierdo	1
4	108190-01	Recubrimiento derecho	1
5	107387-01	Base	1
6	108101-01	Caja de control	1
7	107385-01	Placa de montaje del bastidor	1
8	102445-01	Encendedor piezoeléctrico	1
9	102334-01	Sujetador Palnut	1
10	105352-01	Buje, abierto/cerrado	1
11	099213-02	Tapón de botón	1
12	107392-01	Ensamblaje de manguera y regulador	1
13	108187-01	Cubierta del cilindro	1
14	099230-04	Tornillo de pivote	1
15	108504-01	Tornillo, 10-16x.50	38
16	107394-01	Cubierta del quemador	1
PIEZAS DISPONIBLES NO MOSTRADAS			
	108726-01	Calcomanía de advertencia (todos los modelos)	1
	107399-01	Calcomanía de operación/ marca comercial Modelos "OL"	1
	107399-02	Calcomanía de operación/ marca comercial Modelos "V"	1

CLASIFICACIÓN ILUSTRADA DE PIEZAS

MODELOS
VPHBKP Y OLPHBKP



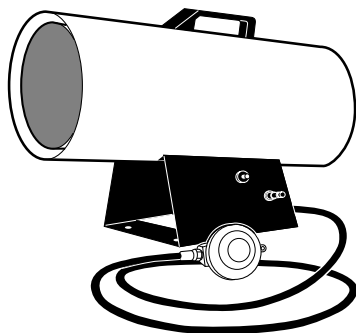
Para obtener más información, visite www.desatech.com

LISTA DE PIEZAS

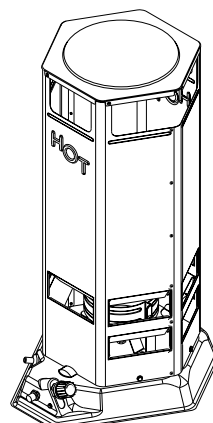
MODELOS VPHBKP Y OLPHBKP

CLAVE NO.	PIEZA NÚMEROS	DESCRIPCIÓN	CANTIDAD
1	107386-01	Bastidor superior	1
2	107393-01	Reflector	1
3	107390-01	Quemador	1
4	108529-01	Emisor	1
5	107389-01	Soporte del quemador	1
6	101448-01	Remache de cabeza	9
7	108498-01	Interruptor de advertencia	1
8	108501-01	Soporte del interruptor de advertencia	1
9	108497-01	Válvula de control	1
10	098508-01	Tuerca de retención de la válvula	1
11	108100-01	Soporte de la válvula	1
12	098276-01	Tapón, NPTF de cabeza hexagonal de ,313 cm (1/8 de pulgada)	1
13	103397-02	Tubo de combustible	1
14	108504-01	Tornillo, PTH 10-3/8 AB BK P	4
15	108500-01	Codo del orificio	1
16	M5787	Tuerca de latón	2
17	M5788	Camisa	2
18	108495-01	Broche del quemador	1
19	104146-03	Termopar	1
20	M9900-183	Ensamblaje de cables	2
21	100898-01	Tuerca hexagonal delgada	2
22	097968-06	Tornillo	2
23	NPC-00BP	Tuerca	2
24	108513-01	Electrodo del encendedor	1
25	M11084-49	Tornillo, #8-18 AB x 0,635 cm (,25 pulgadas) SS	1
26	M11084-48	Tornillo, #10-16 x 1,27 cm (,50 pulgadas) SS	5
27	099393-03	Perilla de control	1

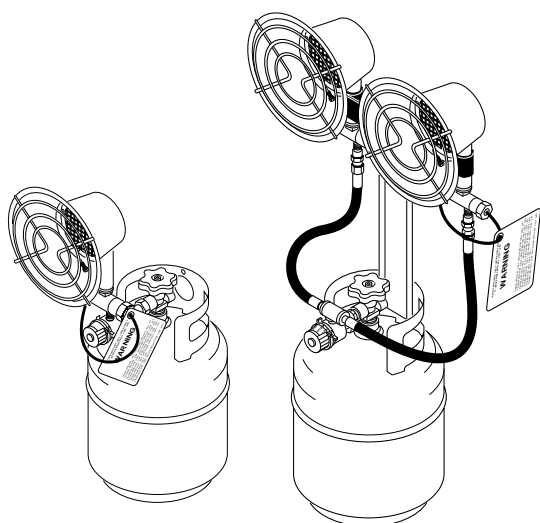
SOLUCIONES DE CALEFACCION PARA CODA NECESIDAD



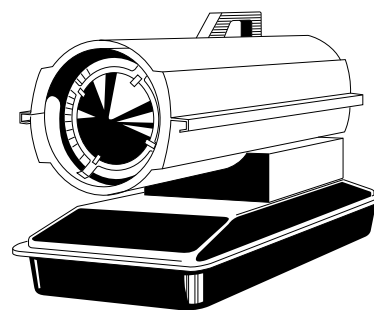
**CALENTADORES DE PROPANO POR AIRE
FORZADO**



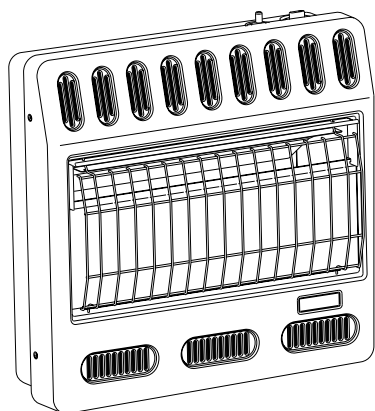
**CALENTADORES DE CONVECCIÓN DE
PROPANO**



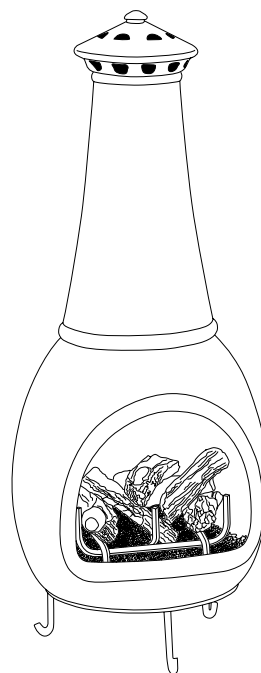
**CALENTADORES DE PROPANO SITUADOS
SOBRE EL TANQUE**



**CALENTADORES POR AIRE FORZADO
PORTÁTILES DE QUEROSÉN/COMBUSTIBLE**



**CALENTADORES PARA EL GARAJE DE
PROPANO Y GAS NATURAL**



CHIMENEAS DE PROPANO Y GAS NATURAL

FORMULARIO DE REGISTRO DEL PROPIETARIO

Complete el formulario de registro y envíelo, o bien complete el registro en línea en www.desatech.com dentro de los primeros 30 días después de la compra.

Marca: _____ (Reddy Heater, Master, Remington, etc.)
 Modelo: _____ (R60, HD15, etc.)
 Fecha de compra: _____ Nota: Guarde el recibo para verificación de la garantía.
 Número de serie: _____ número de 7 ó 9 dígitos ubicado en el producto o en la etiqueta de identificación.
 Nombre: _____ Apellido: _____
 Dirección: _____
 Ciudad: _____ Estado: _____ Código postal: _____ País: _____
 Teléfono: (____) _____ - _____ Correo electrónico: _____

Por favor conteste las siguientes preguntas para registrar su producto con DESA Heating Products:

- ¿Quién utilizará el calentador? Individuo Empresa
- ¿Utilizará el calentador en más de un lugar? Sí No
- ¿Dónde se utilizará el producto? (Puede seleccionar más de uno). Taller Granero Construcción residencial
 Construcción comercial Cochera Fábrica Recreación Almacén Cobertizo para herramientas/almacenaje
 Otro _____ (especifique)
- Costo del producto (excluyendo los impuestos): \$ _____
- El mantenimiento/trabajo de servicio lo proporcionará: Usted mismo Centro de servicio Otro _____
- Si compró este producto usted mismo, ¿había planeado adquirir este tipo de producto antes de ir a la tienda? Sí No
- Tipo de tienda donde adquirió el producto: Ferretería Distribuidor de propano Compañía de gas natural/electricidad
 Centro para el hogar o proveedora para la construcción Distribuidor para granjas/agricultura Tienda de partes para automóvil
 Almacén club Distribuidor industrial/para contratista Tienda de arrendamientos Tienda de descuento Proveedor de HVAC
 Otro _____
- ¿Cuál es su fuente principal de calefacción? Propano (Gas LP) Gas Natural Keroseno Diesel Electricidad Otro _____
- ¿Qué lo motivó a comprar este producto? Clima frío repentino Reemplazo de un modelo antiguo
 Proyecto en el hogar emprendido por usted Calefacción de respaldo para emergencias Calentador en oferta Proyecto de construcción
 Lugar difícil de calentar Otro _____
- ¿Cómo conoció esta marca de productos? Anuncio Pariente o amigo Compañero de trabajo Representante de la tienda
 Muestra en la tienda Posesión previa de un calentador Otro _____ (especifique)
- ¿Qué otras marcas consideró? Ninguna Master Remington All-Pro Dayton Universal Mr. Heater L.B. White Tradesman
 John Deere Dyna-Glo Dura-Heat Paulin Coleman Vogelzang American Otra _____
- ¿Quién seleccionó el producto? Hombre Mujer Ambos
- Nivel de educación del comprador: Preparatoria Escuela vocacional/técnica Algo de universidad Universidad completa Postgrado
- Edad del comprador: Menos de 20 20 - 29 30 - 39 40 - 49 50 - 59 60 o más
- Total de ingresos anuales del hogar del comprador: Menos de \$19.999 \$20.000 a \$34.999 \$35.000 a \$49.999
 \$50.000 a \$74.999 \$75.000 a \$99.999 \$100.000 o más
- ¿Cuántos habitantes hay en su área? Menos de 10.000 10.000 a 25.000 25.000 a 50.000 50.000 a 100.000
 100.000 a 250.000 Más de 250.000
- Tienda donde compró el producto:
 Nombre: _____ Ciudad: _____ Estado: _____
- Al escoger este producto, qué tan importante fue lo siguiente:

	No	Algo	Bastante		No	Algo	Bastante
Disponibilidad	<input type="radio"/>	<input type="radio"/>	<input type="radio"/>	Tamaño	<input type="radio"/>	<input type="radio"/>	<input type="radio"/>
Precio	<input type="radio"/>	<input type="radio"/>	<input type="radio"/>	Experiencia previa con la marca	<input type="radio"/>	<input type="radio"/>	<input type="radio"/>
Marca	<input type="radio"/>	<input type="radio"/>	<input type="radio"/>	Termostato integrado	<input type="radio"/>	<input type="radio"/>	<input type="radio"/>
Calidad en general	<input type="radio"/>	<input type="radio"/>	<input type="radio"/>	Facilidad de operación	<input type="radio"/>	<input type="radio"/>	<input type="radio"/>
Emisión de calor (valor de Btu/h)	<input type="radio"/>	<input type="radio"/>	<input type="radio"/>	Características especiales	<input type="radio"/>	<input type="radio"/>	<input type="radio"/>
Emisión de calor variable (Btu/h)	<input type="radio"/>	<input type="radio"/>	<input type="radio"/>	Recomendación del vendedor	<input type="radio"/>	<input type="radio"/>	<input type="radio"/>
Hecho en los EE.UU.	<input type="radio"/>	<input type="radio"/>	<input type="radio"/>	Recomendación de familiares/amigos	<input type="radio"/>	<input type="radio"/>	<input type="radio"/>
Garantía	<input type="radio"/>	<input type="radio"/>	<input type="radio"/>	Portabilidad	<input type="radio"/>	<input type="radio"/>	<input type="radio"/>
Servicio local	<input type="radio"/>	<input type="radio"/>	<input type="radio"/>	Funcionamiento silencioso	<input type="radio"/>	<input type="radio"/>	<input type="radio"/>
Buena adquisición por el precio	<input type="radio"/>	<input type="radio"/>	<input type="radio"/>				
- Esta pregunta nos ayudará a comprender de mejor manera el perfil demográfico de nuestros clientes. ¿Cuál de lo siguiente lo describe mejor? (no se requiere) Afroamericano Asiático Americano Mexicano Puertorriqueño Cubano Otro Hispano Anglosajón
 Otro _____

PEGUE

Necesita
estampilla
postal

DESATM
HEATING PRODUCTS
2701 Industrial Drive
P.O. Box 90004
Bowling Green, KY 42102-9004, EE.UU.

PEGUE

GARANTÍA Y SERVICIO DE REPARACIÓN

GARANTÍA LIMITADA

DESA Heating Products garantiza que este producto y todas sus piezas estarán libres de defectos en los materiales y la mano de obra durante un (1) año a partir de la fecha de compra, siempre que se hayan operado y mantenido de acuerdo con las instrucciones. Esta garantía se extiende solamente al comprador al por menor, cuando se proporciona una prueba de compra.

Esta garantía sólo cubre el costo de las piezas y de la mano de obra requeridos para restablecer el producto a su condición de operación adecuada. Los costos de transporte e incidentales asociados con reparaciones de garantía no son reembolsables bajo esta garantía.

El servicio de garantía está disponible sólo a través de distribuidores y centros de servicio autorizados.

Esta garantía no cubre defectos ocasionados por mal uso, abuso, negligencia, accidentes, falta de mantenimiento adecuado, desgaste normal, alteración, modificación, manipulación, combustibles contaminados, reparación usando piezas inadecuadas o reparación realizada por cualquiera que no sea un distribuidor o centro de servicio autorizado. El mantenimiento de rutina es responsabilidad del propietario.

ESTA GARANTÍA EXPRESA SE OTORGA EN LUGAR DE CUALQUIER OTRA GARANTÍA, YA SEA EXPRESA O IMPLÍCITA, INCLUYENDO GARANTÍAS DE APROVECHAMIENTO Y APTITUD PARA UN PROPÓSITO EN PARTICULAR.

DESA Heating Products no asume ninguna responsabilidad por daños indirectos, incidentales o perjuicios. Algunos estados no permiten la exclusión o limitación de daños incidentales o perjuicios, o es posible que las exclusiones no sean aplicables a usted. Esta Garantía limitada le otorga derechos legales específicos y usted podría tener también otros derechos que varían de un estado a otro.

Esta garantía no cubre la decoloración debida a la operación del calentador. Nos reservamos el derecho de modificar estas especificaciones en cualquier momento sin previo aviso. La única garantía aplicable es nuestra garantía por escrito regular. No otorgamos ninguna otra garantía, expresa o implícita.

SERVICIO DE GARANTÍA

Si su calentador requiere servicio, regréselo al centro de servicio autorizado más cercano. Se debe presentar una prueba de compra con el calentador. El calentador será inspeccionado. Un defecto puede ser ocasionado por materiales o mano de obra defectuosos. Si es así, DESA Heating Products reparará o reemplazará el calentador sin ningún cargo.

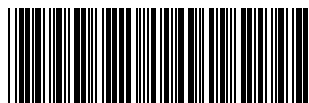
SERVICIO DE REPARACIÓN

Regrese el calentador al centro de servicio autorizado más cercano. Cada Centro de servicio tiene un propietario y una operación independientes. Las reparaciones no cubiertas por la garantía se cobrarán a los precios regulares. Nos reservamos el derecho de modificar estas especificaciones en cualquier momento sin previo aviso.

Para obtener más información sobre esta garantía, escriba a:



2701 Industrial Drive
P.O. Box 90004
Bowling Green, Kentucky 42102-9004
www.desatech.com



NOT A UPC
NO ES UN UPC

107396-01
Rev. F
08/03

Para obtener más información, visite www.desatech.com