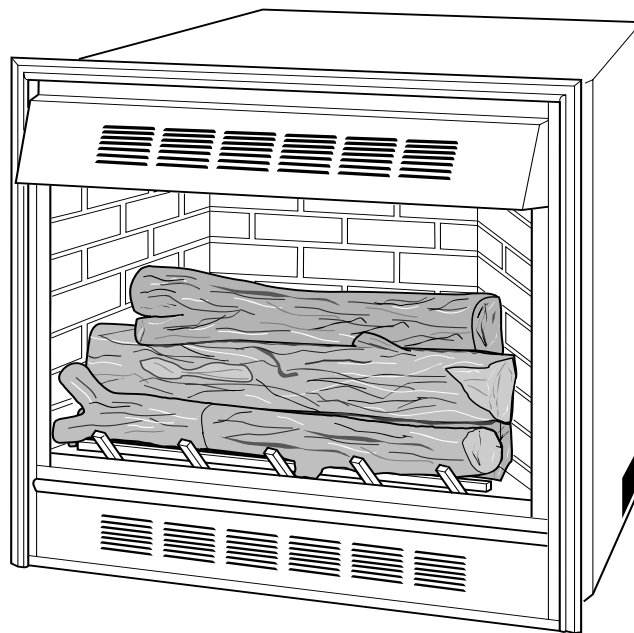




GFP28BK Brick Liner Kit

Installation Instructions



GFP28BK Brick Liner Kit

Installation Instructions

IMPORTANT: Read entire instruction sheet before installing brick liner.

This brick liner accessory is approved for use in the following models: GFP28MNG, GFP28MLP, GFP28TNG, and GFP28TLP. Do not use brick liner accessory in any other fireplace models.

The Brick Liner Kit contains the following:

- 1 - Rear Firebrick Panel
- 3 - Retainer Brackets
- 2 - Side Firebrick Panels
- 3 - #10 Screws

Tools required:

- Phillips Screwdriver
- 5/16" Hex Socket Wrench or Nut Driver

If any of these parts are missing or damaged, contact dealer where you purchased this kit. If they cannot supply original replacement parts, contact Perfection-Schwank, Inc. Parts Department, 1-800-776-8459 (outside GA) or 706-554-2101.

IMPORTANT: Always handle firebrick panels with two hands.

WARNING

Turn off, unplug, and let fireplace cool before installing brick liner. Only a qualified service person should service and repair fireplace.

NOTICE

You must remove log base assembly before installing brick liner.

1. To remove screen, lift screen up off the screws in front of fireplace (see Figure 1).

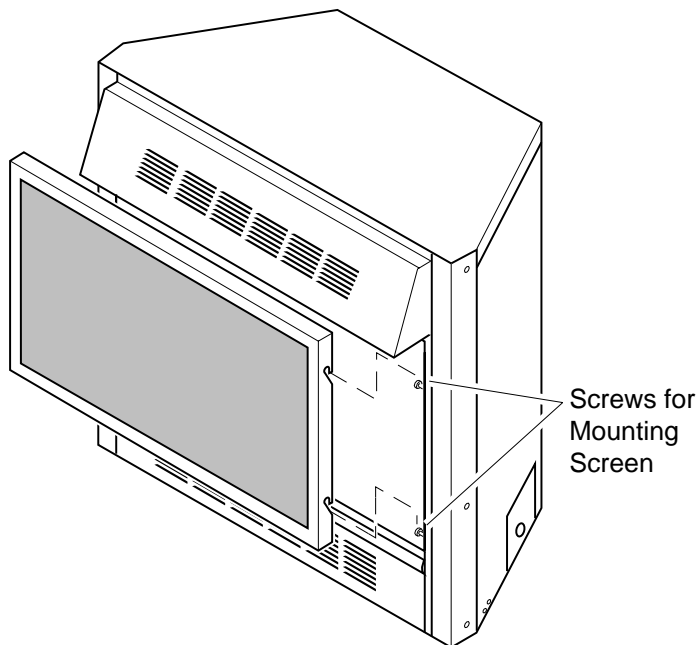


Figure 1 - Removing Fireplace Screen

2. Remove logs. Remove two screws that attach log base assembly to fireplace. Carefully lift log base assembly and remove from fireplace (see Figure 2).

CAUTION

Do not pick up log base assembly by burners. This may damage burners. Only pick up base by the grate.

Note: Some installations may require the gas supply line to be disconnected before removing log assembly. If so, call a qualified service person to disconnect gas supply from fireplace.

WARNING

A qualified service person must connect and disconnect fireplace to gas supply. Follow all local codes.

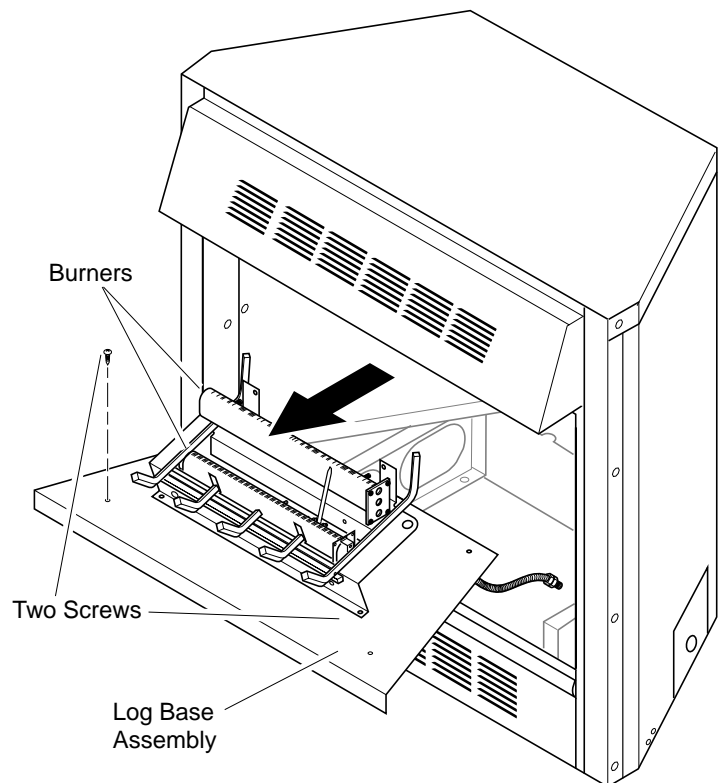


Figure 2 - Removing Log Base Assembly from Fireplace

- With larger bricks at the top, install rear firebrick panel on back wall first. Rest the bottom edge of firebrick panel on liner flange. Stand firebrick panel straight up against the back of fireplace (see Figure 3).

CAUTION

Always handle firebrick panels with two hands. Do not force firebrick panels into place. Excessive force will break firebrick panels.

Note: If your fireplace has a thermodisc plate, make sure you position the hole in rear firebrick panel over the thermodisc plate on rear wall of fireplace (see Figure 3). If you cover the thermodisc plate with the firebrick panel, the fan will not run properly.

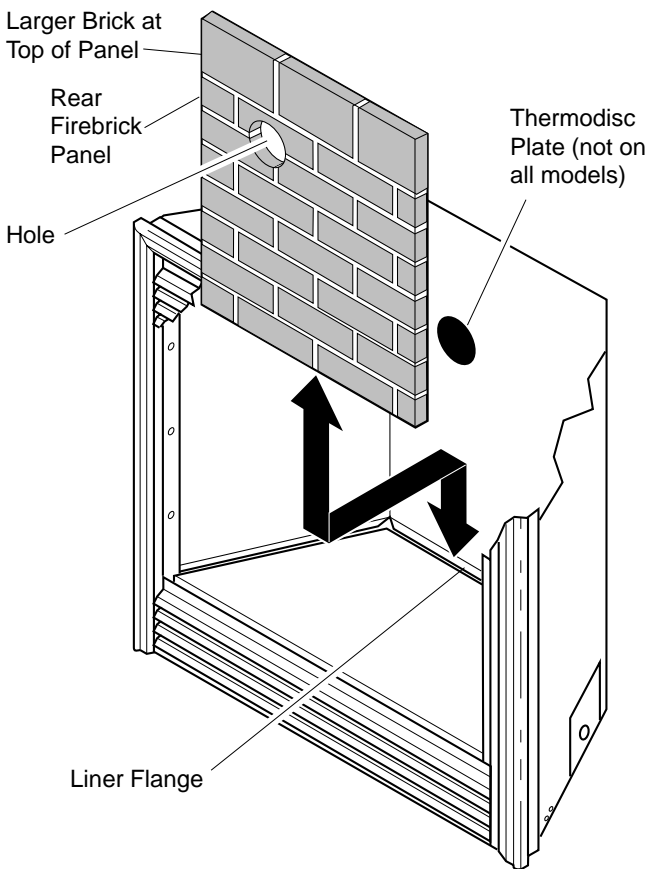


Figure 3 - Placing Rear Firebrick Panel on Flange in Fireplace

- Secure the top of firebrick panel to back wall of fireplace with one retainer bracket and one screw (see Figure 4).

Note: If there is a screw in the fireplace back wall where you are to install the retaining bracket, remove screw.

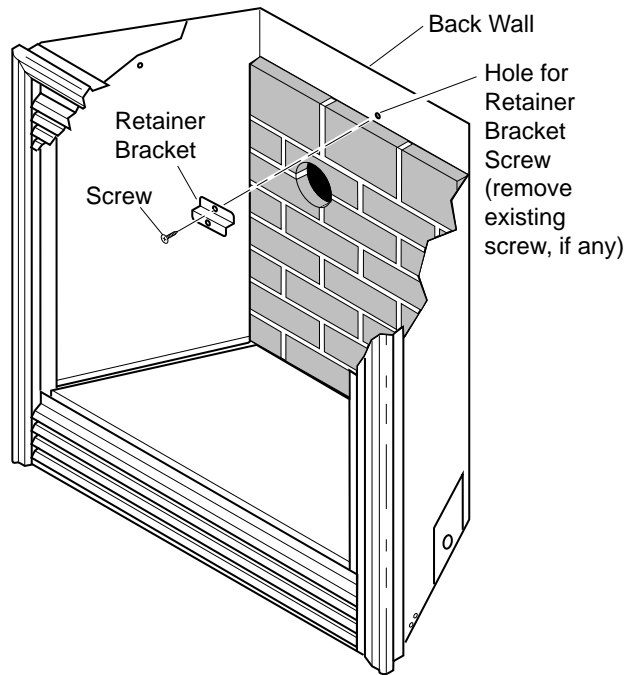


Figure 4 - Securing Top of Firebrick Panel to Back Wall of Fireplace

- With larger brick at top of panel, slide one side firebrick panel behind the retaining edge of fireplace. Gently press the firebrick panel back against the side wall (see Figure 5). The bottom edge of the firebrick panel will rest on liner flange.

CAUTION

Always handle firebrick panels with two hands. Do not force firebrick panels into place. Excessive force will break firebrick panels.

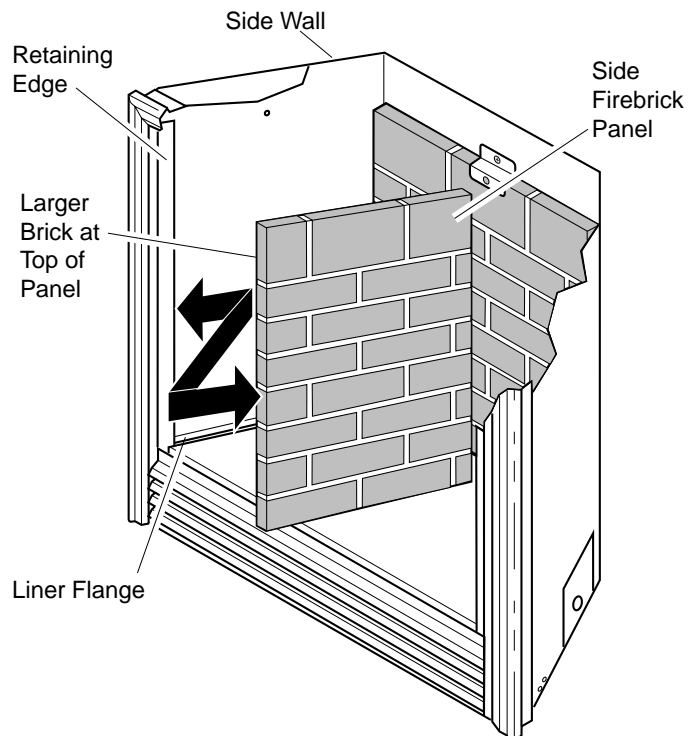


Figure 5 - Placing Side Firebrick Panel behind Retaining Edge

6. Secure side firebrick panel to side wall of fireplace with one retainer bracket and one screw (see Figure 6).

Note: If there is a screw in the fireplace side walls where you are to install the retaining bracket, remove screw.

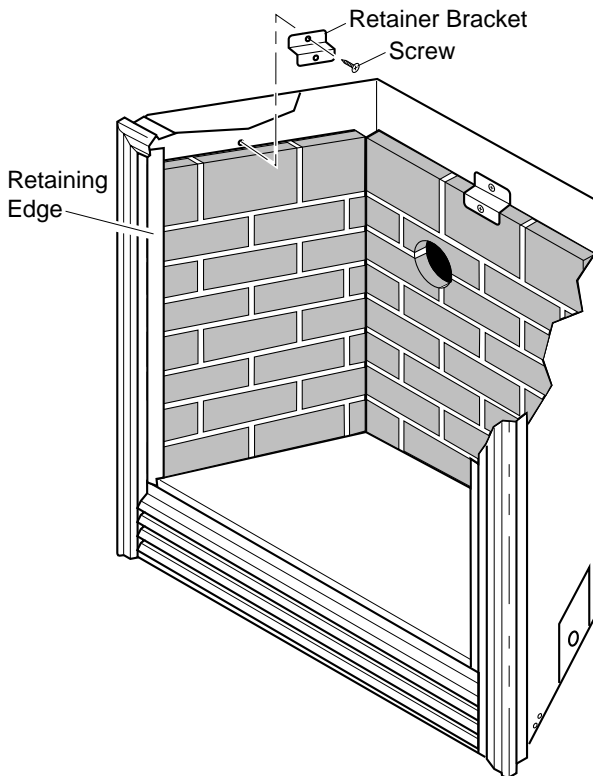


Figure 6 - Securing Side Firebrick Panel to Side Wall of Fireplace

7. Repeat steps 5 and 6 to install other side of firebrick panel.

8. Put log base assembly back into fireplace. Secure log base assembly with the two screws removed in step 2 (see Figure 2, page 2).

WARNING

A qualified service person must connect and disconnect fireplace to gas supply. Follow all local codes.

WARNING

Test all gas piping and connections for leaks after installing or servicing. Correct all leaks at once.

WARNING

Never use an open flame to check for a leak. Apply a mixture of liquid soap and water to all joints. Bubbles forming show a leak. Correct all leaks at once.

9. Replace logs. Make sure logs are put in their proper position. See *Installing Logs* in the Fireplace Owners Manual.

10. Replace screen (see Figure 1, page 2).



PERFECTION-SCHWANK, INC.
One Schwank Way at Hwy. 56
P.O. Box 749
Waynesboro, GA 30830-0749
Parts and Technical Service
1-800-776-8459 (outside GA)
706-554-2101