

# VANGUARD®

## INSTALLATION INSTRUCTIONS FOR BI-FOLD GLASS DOOR MODELS VDGL450 AND VDPL450

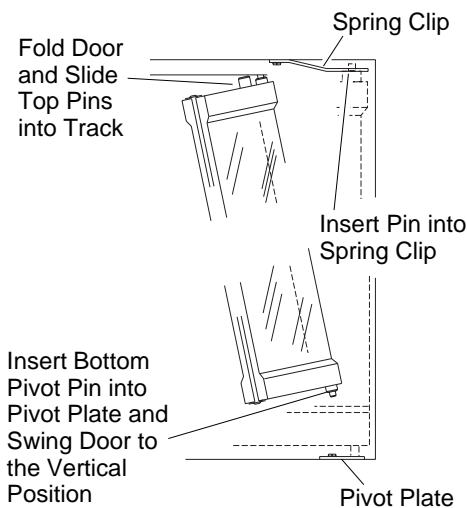
**USE GLASS DOORS CERTIFIED  
FOR THIS APPLIANCE OR FIRE-  
PLACE ONLY.**

### DOOR INSTALLATION

Pivot and spring clips have been installed and pretested at the factory, but some readjustments may be needed due to movement during shipping or handling.

Try installing the doors using steps 1 through 3. If you find the doors do not close properly or do not appear level or straight, proceed with section on door adjustment.

1. With bi-fold door completely folded, insert the bottom pivot pin into the pivot plate located near the bottom corner of the front face opening and swing door to the vertical position making sure top pins slide into door track. Door is installed when top door pin snaps into spring clip (see Figure 1).
2. Repeat step 1 for remaining door.

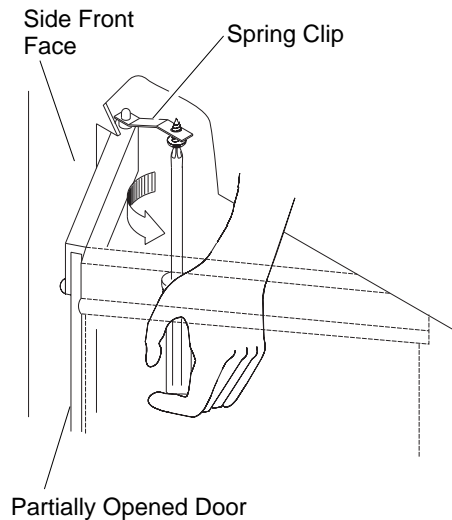


**Figure 1 - Bi-Fold Door Installation**

### DOOR ADJUSTMENT

Remove doors and slightly loosen lower pivot clips and upper spring clips. Replace doors and fully close them use 1/8" shims (any material) to level doors. Once the proper setting is achieved, carefully open doors enough so that you can access pivot and spring clips with a phillips screwdriver. Tighten screws (see Figure 2).

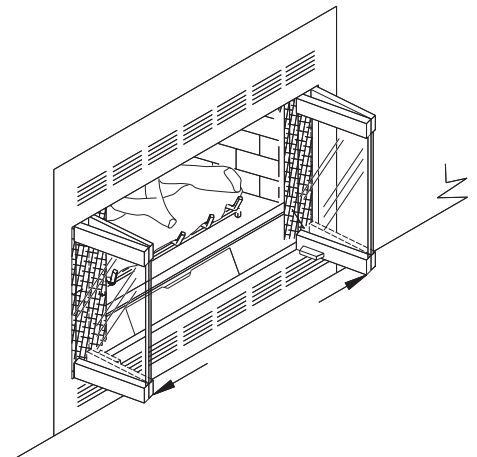
Please read *Care and Operating Guidelines* section at the end of this instruction sheet before operating your appliance or fireplace.



**Figure 2 - Door Adjustment**

### CARE AND OPERATING GUIDELINES

- Glass doors should be operated in the fully open or fully closed positions only (see Figure 3).
- When operating doors, do not slam shut or abuse them.
- Always keep area below bottom edge of doors clear from obstacles or debris.
- Do not operate this appliance if glass doors are broken or damaged.
- Do not use abrasive liquids or cleaners for cleaning of glass and door trims. Any household glass cleaner should suffice. Do not clean doors when hot, allow the appliance to cool before cleaning.



**Figure 3 - Bi-Fold Doors Fully Opened**

**DESA**  
INTERNATIONAL

2701 Industrial Drive, P.O. Box 90004  
Bowling Green, KY 42102-9004

www.desatech.com



NOT A UPC

105810-01  
55819  
REV. A  
04/99